

# BEASLEY FREESTANDING TUB FAUCET WITH HAND SHOWER

SKU: 948654

Code: SHBEFS2000G, SHFSR2000WS



## FEATURES

Material: Metal construction for strength and durability

Installation Type: Freestanding

Flow Rate: 8.5 gpm (32.2 L/min) @ 60 psi

Hand Shower Flow Rate: 1.8 gpm (6.8 L/min) @ 80 psi

Spray Type: Full

Cartridge Type: Ceramic Disc

Swivel Spout: No

Required for Installation: Rough-in valve: SHFSR2000 or SHFSR2000WS

ASME A112.18.1/CSA B125.1, ICC/ANSI A117.1, CEC Listed, WaterSense by IAPMO, Massachusetts Accepted, LISTED ID: SHBEFS2000G\*, SHFSR2000WS



## ADDITIONAL FEATURES

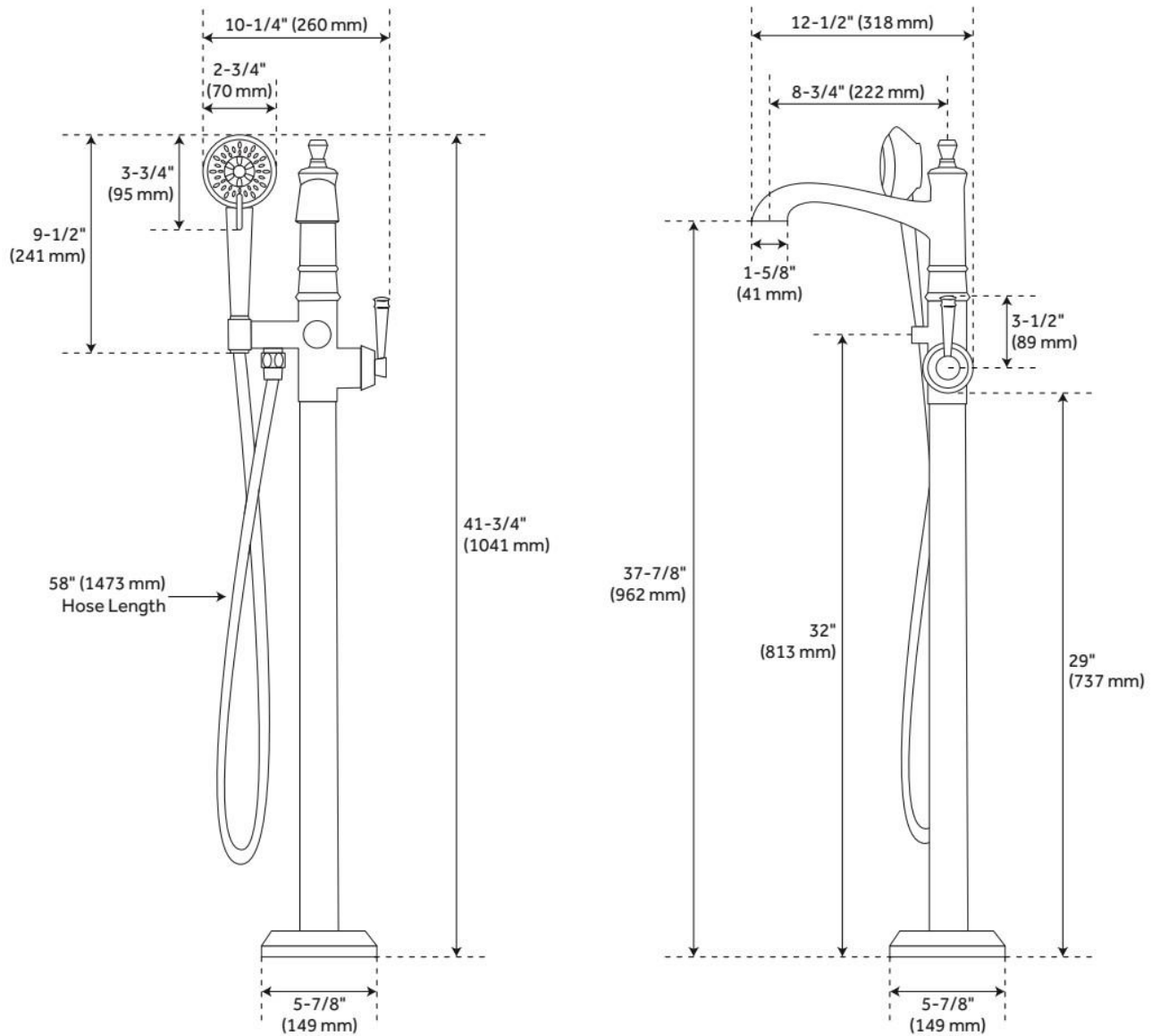
- Spout max. flow rate: 8.5 gpm (32.2 L/min) @ 60 psi.
- Hand shower max. flow rate: 1.8 gpm (6.8 L/min) @ 80 psi.
- Three function hand shower (full spray, massage, spray + massage).
- Integral diverter to hand shower.
- Handshower includes factory installed backflow prevention check valve.
- Optional rough-in valve includes stops.
- Underfloor access is required for proper installation. Installation on an existing concrete slab will require cutting and concrete removal.

REVISED 5/14/2024

# BEASLEY FREESTANDING TUB FAUCET WITH HAND SHOWER

SKU: 948654

Code: SHBEFS2000G, SHFSR2000WS



REVISED 5/14/2024

# FREESTANDING TUB FAUCET ROUGH-IN VALVE WITH STOPS

SKU: 448006  
Code: SHFSR2000WS

## FEATURES

Material: Metal construction for strength and durability



ASME A112.18.1/CSA B125.1, Massachusetts Accepted, LISTED ID: SHFSR2000WS



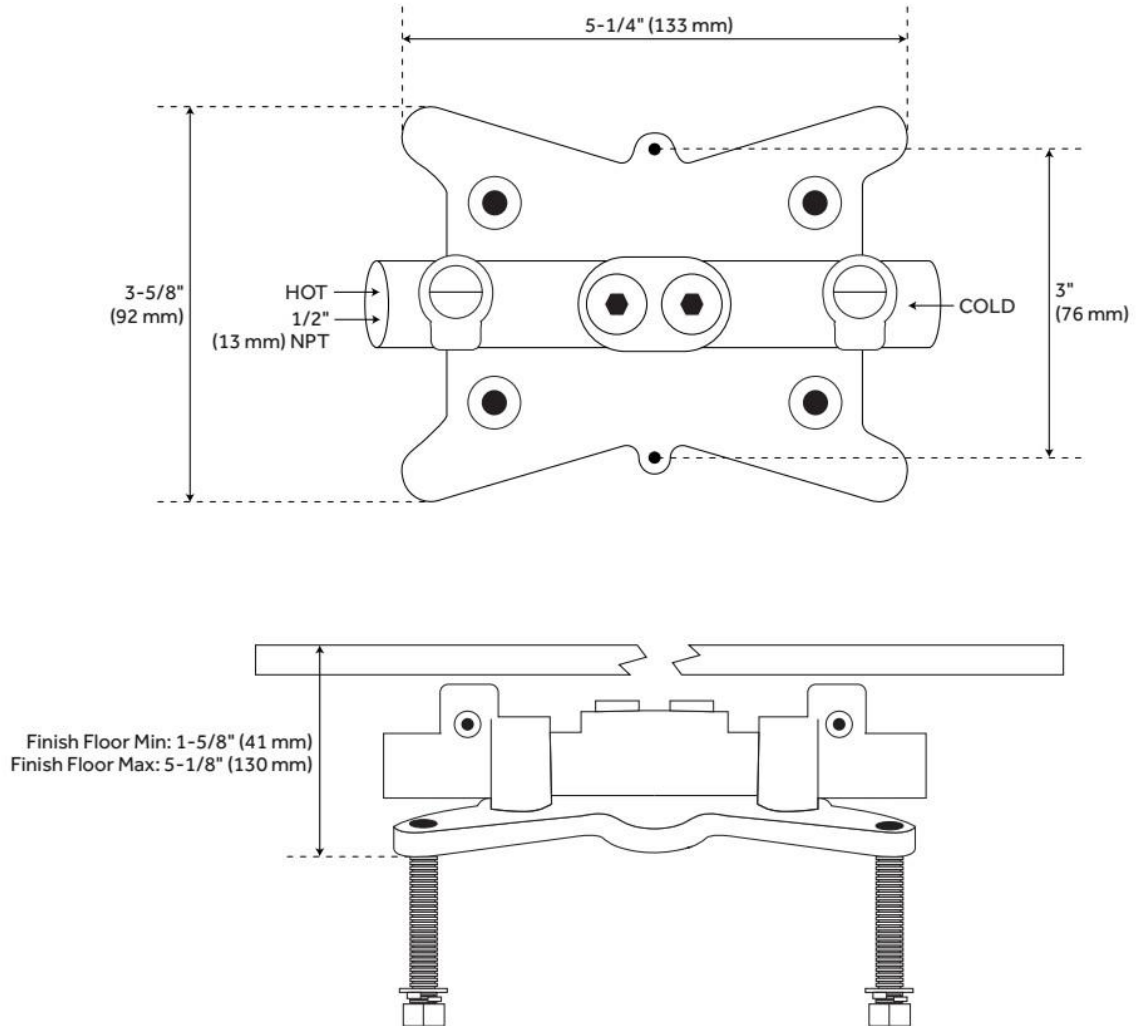
## ADDITIONAL FEATURES

- Not compatible with the Ryle, Napier, Keswick, Cooper, and Cybelle Freestanding Tub Faucets.

REVISED 5/13/2024

# FREESTANDING TUB FAUCET ROUGH-IN VALVE WITH STOPS

SKU: 448006  
Code: SHFSR2000WS



REVISED 5/13/2024