

# 33" ORTEGA DOUBLE-BOWL STAINLESS STEEL SINK - SINGLE-HOLE

SKU: 948489-948488

Code: SHORDMA2BE1, SHG1517



## FEATURES

Length: 33"

Width: 22"

Height: 9"

Mounting Hardware Included: Yes

Number of Basins: 2

Sink Installation: Undermount, Drop-In

Product Color: Stainless Steel

Faucet Centers: Single-Hole Centered

Fits Drain Hole Size: 3-1/2"

Interior Treatment: Smooth

Metal Gauge/Thickness: 18 Gauge

Drain Included: Optional

Faucet Included: No

Sink Material: Stainless Steel

Basin Configuration: 50/50

Water Depth to Rim: 9"

Faucet Holes: 1



REVISED 2/24/2023

# 33" ORTEGA DOUBLE-BOWL STAINLESS STEEL SINK - SINGLE-HOLE

SKU: 948489-948488

Code: SHORDMA2BE1, SHG1517



## ADDITIONAL FEATURES

- Type 304 stainless steel.
- It is recommended to have the sink at the job site before cutting cabinet or counter top.
- Sound absorption pads on the underside of sink.
- Has an undercoating to prevent condensation buildup.

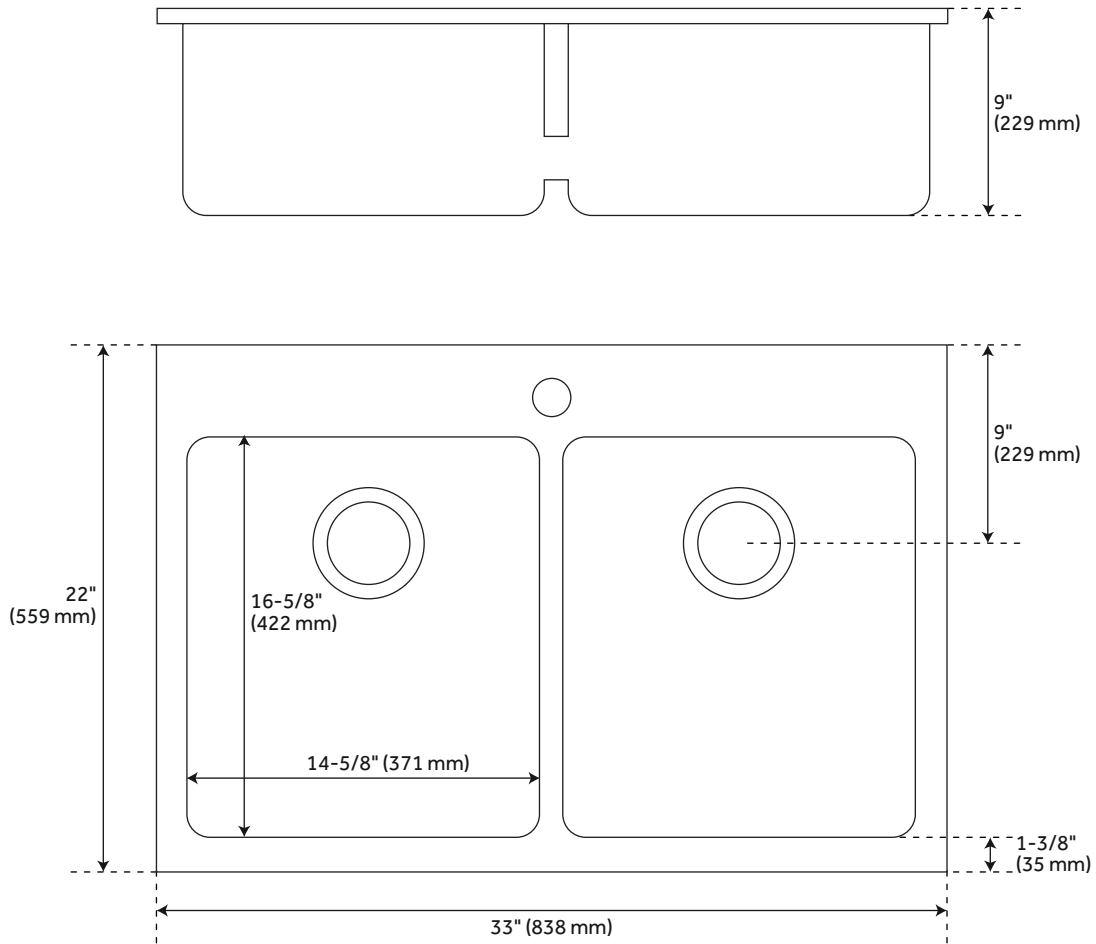
REVISED 2/24/2023

# 33" ORTEGA

## DOUBLE-BOWL STAINLESS STEEL SINK - SINGLE-HOLE

SKU: 948489-948488

Code: SHORDMA2BE1



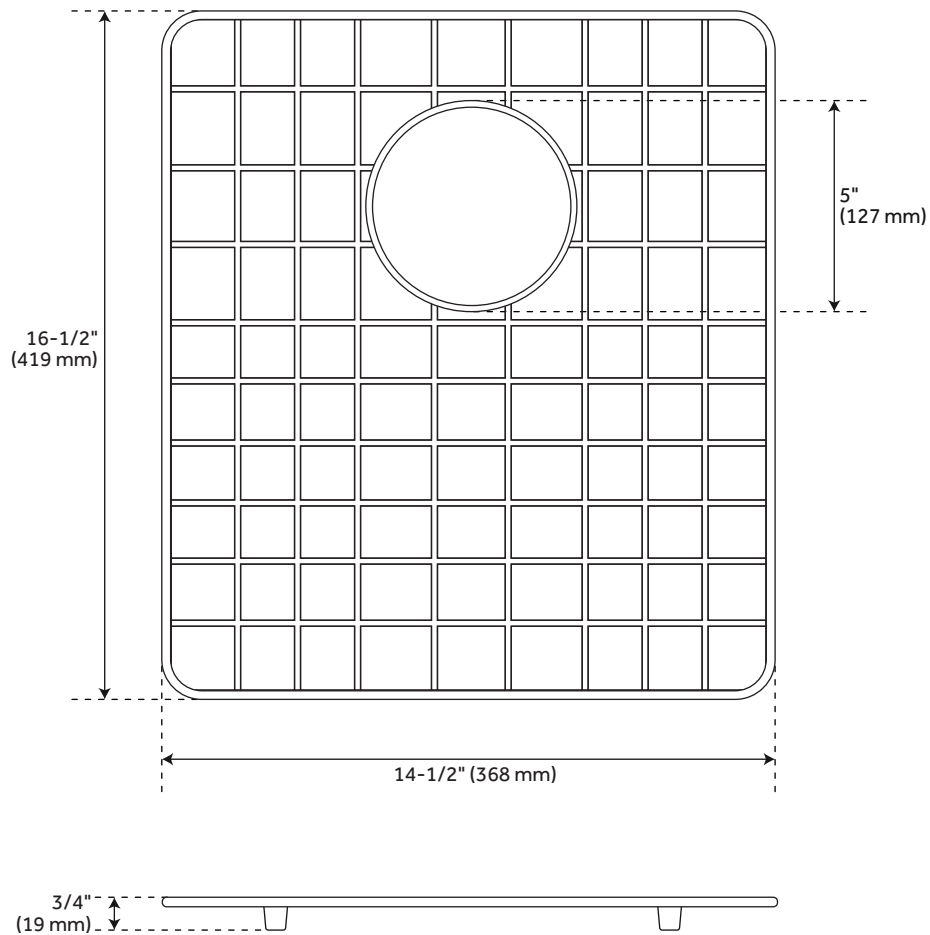
All dimensions and specifications are nominal and may vary. Use actual products for accuracy in critical situations.

# SINK GRID

FOR 33" ORTEGA DOUBLE-BOWL STAINLESS STEEL KITCHEN SINK

SKU: 948489-948488

Code: SHG1517



All dimensions and specifications are nominal and may vary. Use actual products for accuracy in critical situations.