

25" SITKA

STAINLESS STEEL UNDERMOUNT KITCHEN SINK - SINGLE-HOLE

SKU: 948475



FEATURES

Minimum Cabinet Size: 27".

Type 304 stainless steel.

It is recommended to have the sink at the job site before cutting cabinet or counter top.

Sound absorption pads on the underside of sink.

Has an undercoating to prevent condensation buildup.

SIGNATURE HARDWARE Lifetime Warranty

See website for detailed warranty information.

CONTENTS

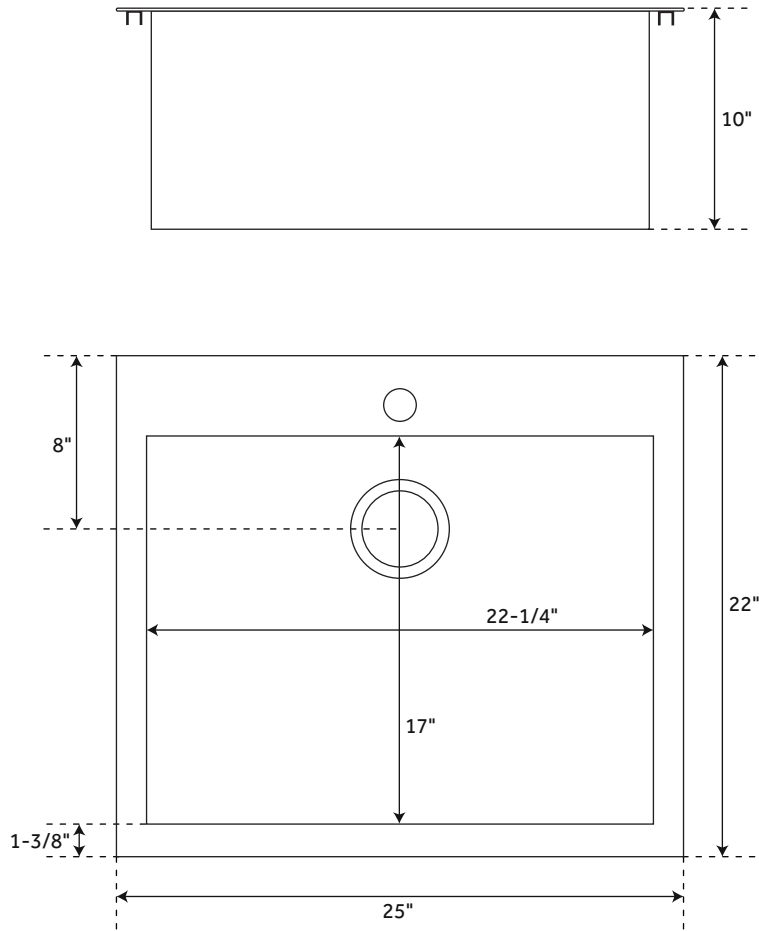
SINK	PAGE 2
GRID	PAGE 3

REVISED 01/22/2020

25" SITKA

STAINLESS STEEL UNDERMOUNT KITCHEN SINK - SINGLE-HOLE

SKU: 948475



FEATURES

Material: Stainless Steel
Basin Split: Single
Shape: Rectangle
Sink Installation: Undermount
Faucet Centers: Single-Hole Centered
Number of Basins: 1
Product Color: Stainless Steel
Length: 25"
Width: 22"
Height: 10"
Basin Length: 22-1/4"
Basin Width: 17"
Metal Gauge/Thickness: 16
Faucet Included: No
Faucet Holes: 1
Drain Placement: Rear-Center
Drain Included: Optional
Fits Drain Hole Size: 3-1/2"
Mounting Hardware Included: Yes

CODES/STANDARDS

cUPC
ASME A112.19.3/CSA B45.4



SIGNATURE HARDWARE LIFETIME WARRANTY

See website for warranty information



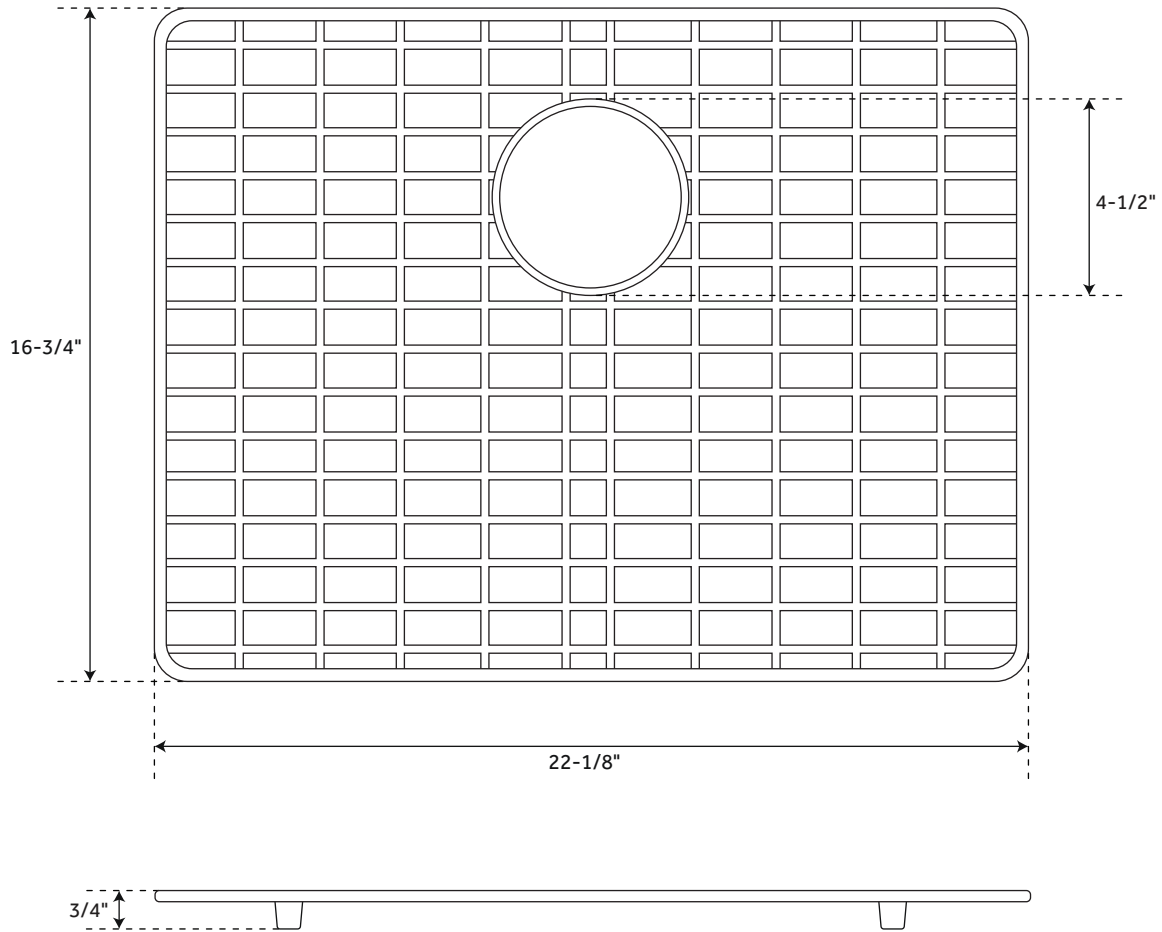
All dimensions and specifications are nominal and may vary. Use actual products for accuracy in critical situations.

PAGE 2
Code: SHSKDM2522Z1

SINK GRID

FOR 25" SITKA STAINLESS STEEL KITCHEN SINK

SKU: 948475

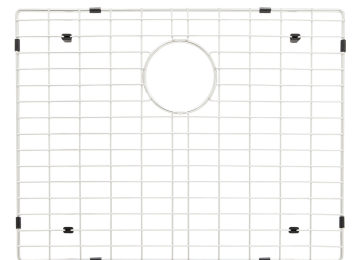


FEATURES

Material: Stainless Steel
Length: 22-1/8"
Width: 16-3/4"
Height: 3/4"
Drain Size: 4-1/2"

SIGNATURE HARDWARE LIFETIME WARRANTY

See website for warranty information



All dimensions and specifications are nominal and may vary. Use actual products for accuracy in critical situations.

PAGE 3
Code: SHG2217