

60" X 32" BRADENTON ACRYLIC ALCOVE WHIRLPOOL TUB - WHITE

SKU: 948255-WP

Code: SHBDW6032



FEATURES

Tub Material: Acrylic
Product Finish: White
Shape: Rectangle
Tub Drain Placement: End
Drain Included: No
Water Depth to Overflow: 15"
Water Capacity (Gallons): 53
Built-In Adjusters: No
Tub Weight Uncrated (lbs): 107

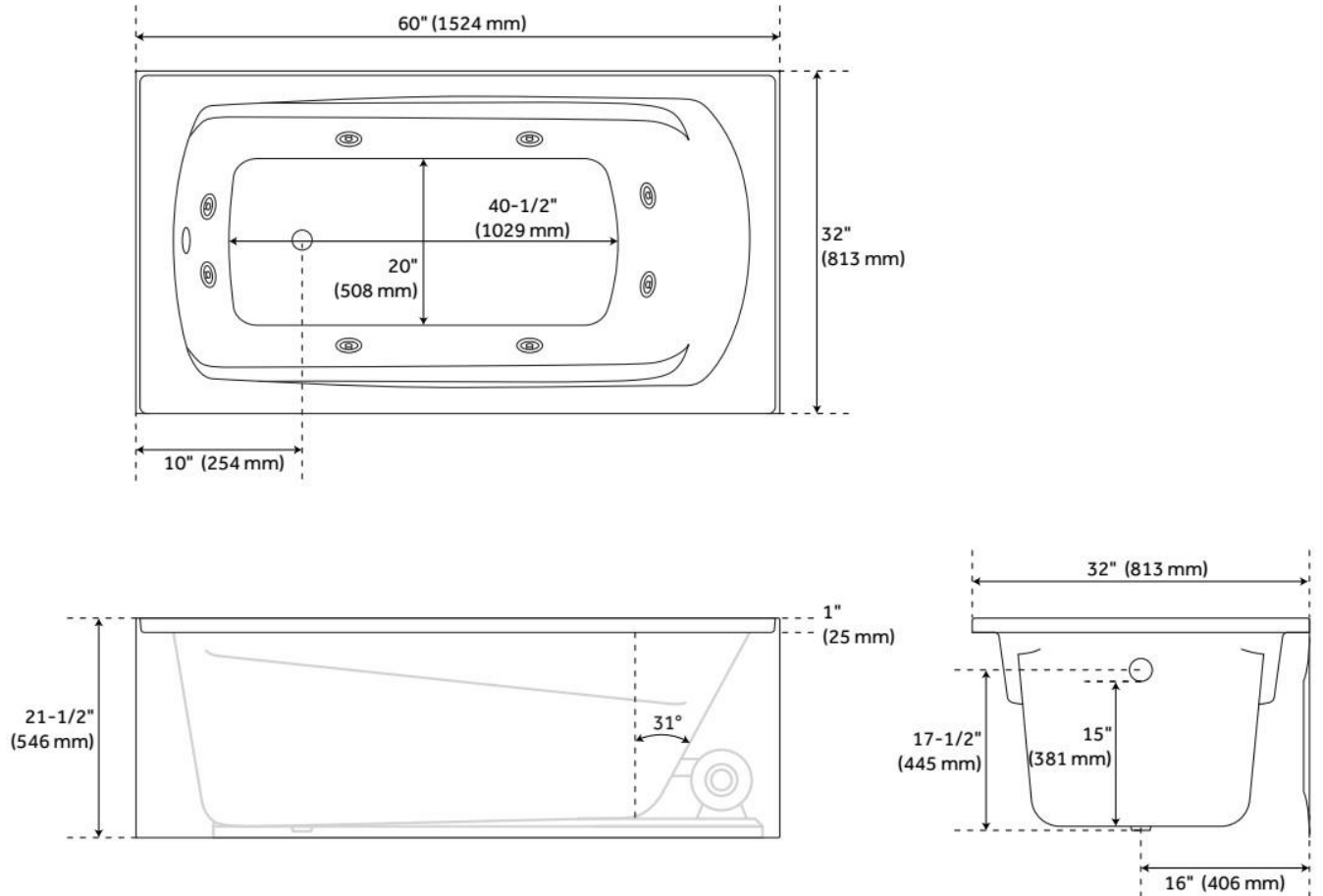
ADDITIONAL FEATURES

- All dimensions ($\pm 1/2"$).
- Integral arm rests.
- Textured slip-resistant bottom.
- Pre-leveled base.
- 48-gallon capacity
- One single-speed air switch for whirlpool.
- 8 Strategically placed air jets move water with increased pressure for an invigorating bathing experience.
- Whirlpool system uses a powerful 1.75hp, 10.9 amp whirlpool pump.
- Integral tile flange and skirt with removable access panel.
- Safety Suction: Meets all requirements of durability and clog-resistance through standard testing.
- Pre-wired for simple plug-in installation.

REVISED 7/11/2024

60" X 32" BRADENTON ACRYLIC ALCOVE WHIRLPOOL TUB - WHITE

SKU: 948255-WP
Code: SHBDW6032



REVISED 7/11/2024

60" X 32" BRADENTON ACRYLIC ALCOVE WHIRLPOOL TUB - WHITE

SKU: 948255-WP
Code: SHBDW6032

COMPONENTS LIST

- Powerful whirlpool pump with variable flow device

INSTALLATION

- Whirlpool unit requires dedicated 20 Amp, 120V service
- You must provide a receptacle with a 20 Amp configuration
- Electrical outlet must be mounted 4" (101mm) above the floor line and 12" max (305mm) inside from the edge of the bathtub, or in accordance with local building and electrical codes

INTEGRATED CONTROL PANEL

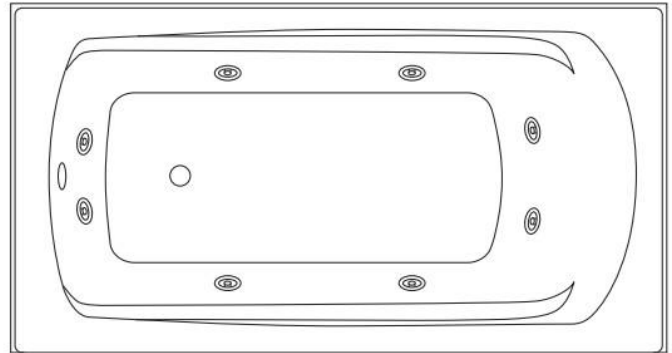
- Whirlpool Baths: Equipped with on/off switch actuator. Each depression of the switch will activate the pump

INSIDE OF BATH

- (8) HIGH-FLOW DIRECTIONAL AND VOLUME-ADJUSTABLE WHIRLPOOL JETS

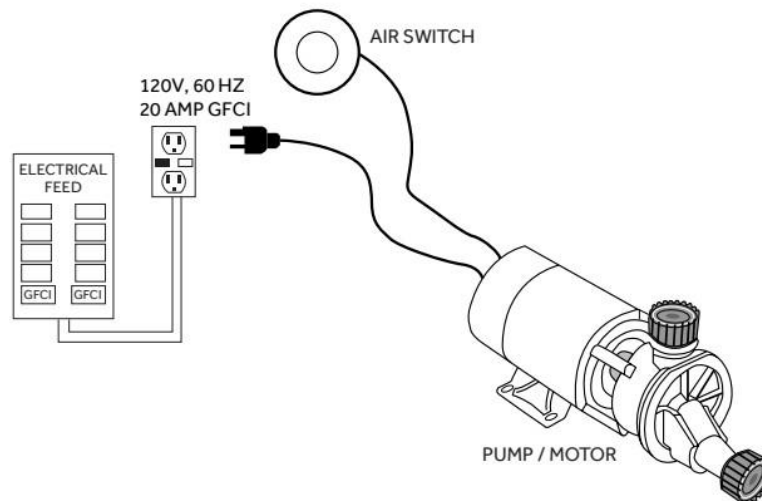


WHIRLPOOL JET



ELECTRICAL CONFIGURATIONS

WHIRLPOOL WITH INSTALLED AIR SWITCH



REVISED 7/11/2024