

BEASLEY SINGLE-HOLE PULL-DOWN KITCHEN FAUCET

SKU: 949052

Code: SHXCBE107



FEATURES

Installation Type: Single-Hole
Features: Pull-Down
Design: Traditional
Material: Brass
Length: 4-7/8"
Width: 10-5/16"
Height: 16-5/16"
Base Plate Diameter: 2-1/2"
Faucet Centers: Single-Hole
Faucet Material: Metal
Handle Type: Lever
Handle Length: 3-5/16"
Flow Rate: 1.8 gpm (6.8L/min) max @ 60 psi
Kitchen Faucet Holes: 1
Max. Countertop Thickness: 2-11/16"
Height To Spout: 8-1/16"
Spout Reach: 8-1/16"
Swivel Spout: yes
Handle Height: 4-5/16"
Ceramic Disc Cartridges: Yes
Hot and Cold Indicators: No

ASME A112.18.1/CSA B125.1

NSF/ANSI 372

NSF/ANSI 61

NSF/ANSI/CAN 61

CEC Listed

LISTED ID: SHXCBE107XX



REVISED 9/19/2023

BEASLEY SINGLE-HOLE PULL-DOWN KITCHEN FAUCET

SKU: 949052

Code: SHXCBE107

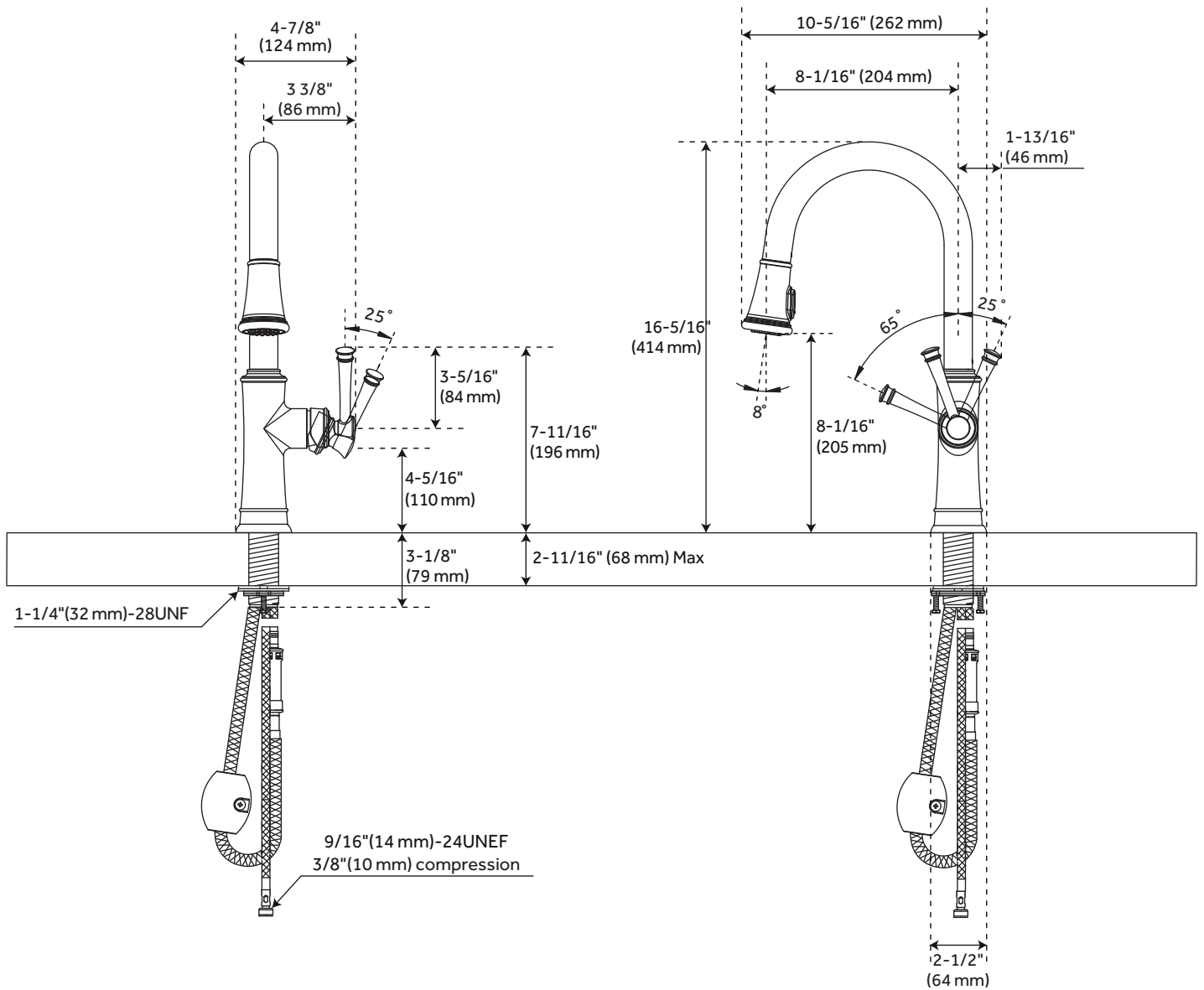


ADDITIONAL FEATURES

- Aerated stream and spray.

REVISED 9/19/2023

BEASLEY SINGLE-HOLE PULL-DOWN KITCHEN FAUCET



All dimensions and specifications are nominal and may vary. Use actual products for accuracy in critical situations.