

# TOILET SUPPLY KIT WITH 5/8" OD X 3/8" OD ANGLE STOP

SKU: 948024

Code: SH251, SH484075, SH489026

## FEATURES

Material: Brass



ASME A112.18.1/CSA B125.1

NSF/ANSI 372

NSF/ANSI 61

NSF/ANSI/CAN 61

Massachusetts Accepted

REVISED 2/2/2024

# TOILET SUPPLY KIT WITH 5/8" OD X 3/8" OD ANGLE STOP

SKU: 948024

Code: SH251, SH484075, SH489026



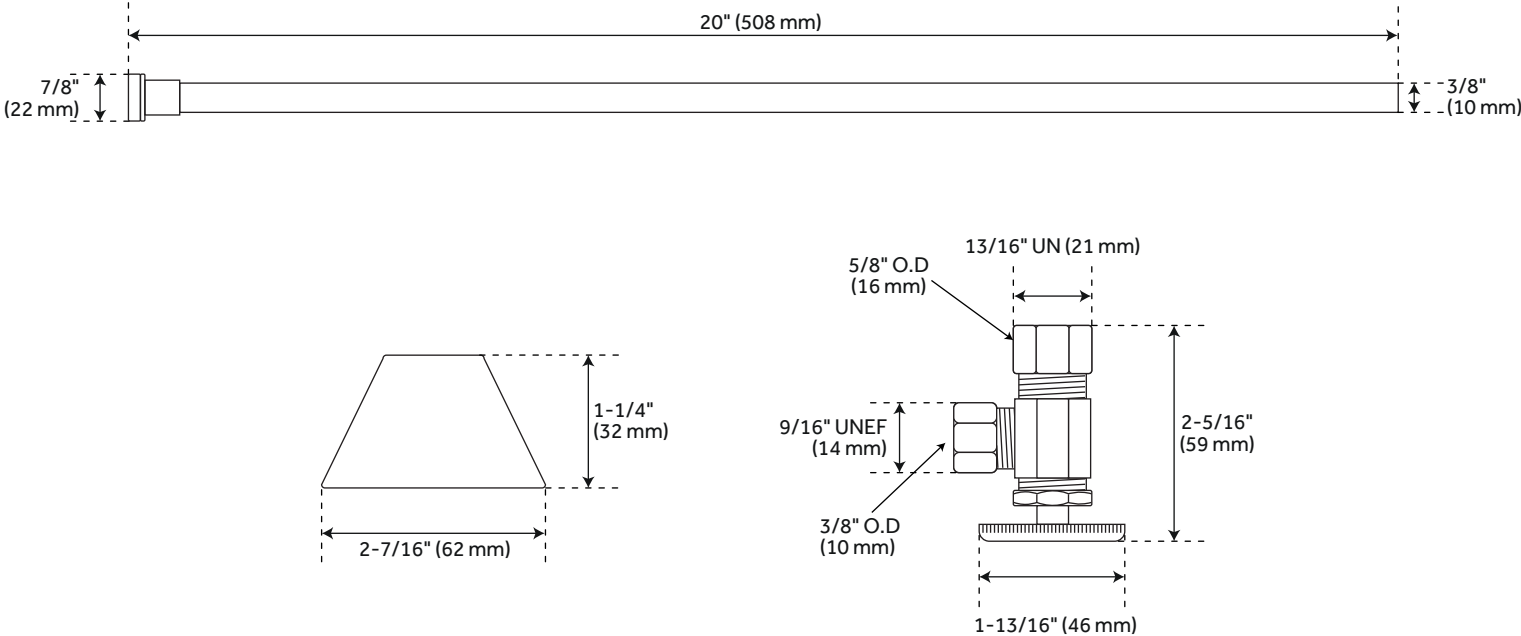
## ADDITIONAL FEATURES

- 5/8" O.D. x 3/8" O.D. Angle stop.
- 3/8" x 20" Flat head supply tube.
- 5/8" O.D. Bell flange.
- Flange diameter (Outside): 2-7/16".
- Supply line length: 20".
- Angle stop connections: 5/8" O.D. X 3/8" O.D.

REVISED 2/2/2024

# TOILET SUPPLY KIT WITH 5/8" OD X 3/8" OD ANGLE STOP

SKU: 948024  
SH251



All dimensions and specifications are nominal and may vary. Use actual products for accuracy in critical situations.