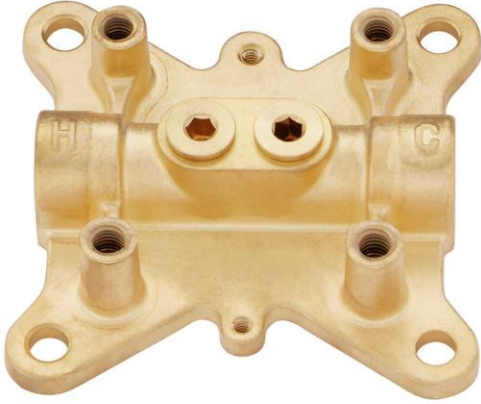


FREESTANDING TUB FAUCET ROUGH-IN VALVE

SKU: 446521
Code: SHFSR2000



FEATURES

Material: Metal
Width: 3-5/8"
Height: 5-1/8"
Assembly Required: No
NPT Connection: 1/2"
Weight: 2.46

ASME A112.18.1/CSA B125.1
Massachusetts Accepted
LISTED ID: SHFSR2000

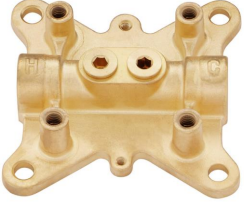


REVISED 4/29/2024

FREESTANDING TUB FAUCET ROUGH-IN VALVE

SKU: 446521

Code: SHFSR2000



ADDITIONAL FEATURES

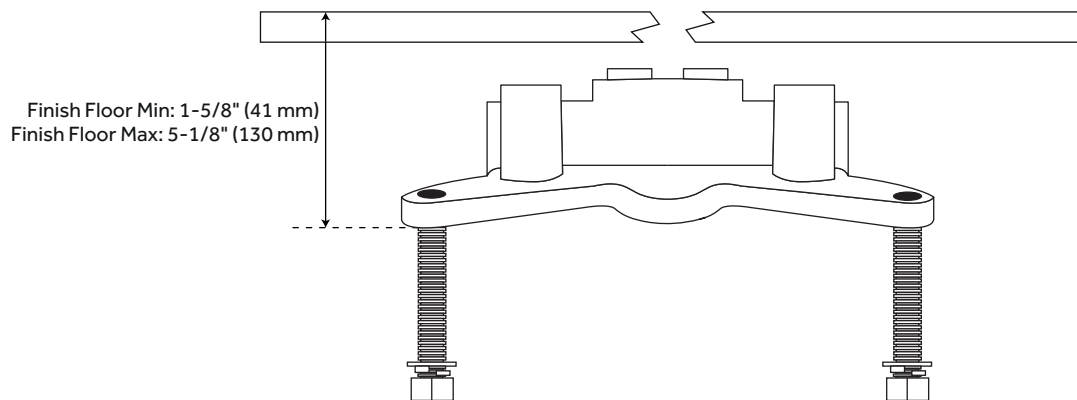
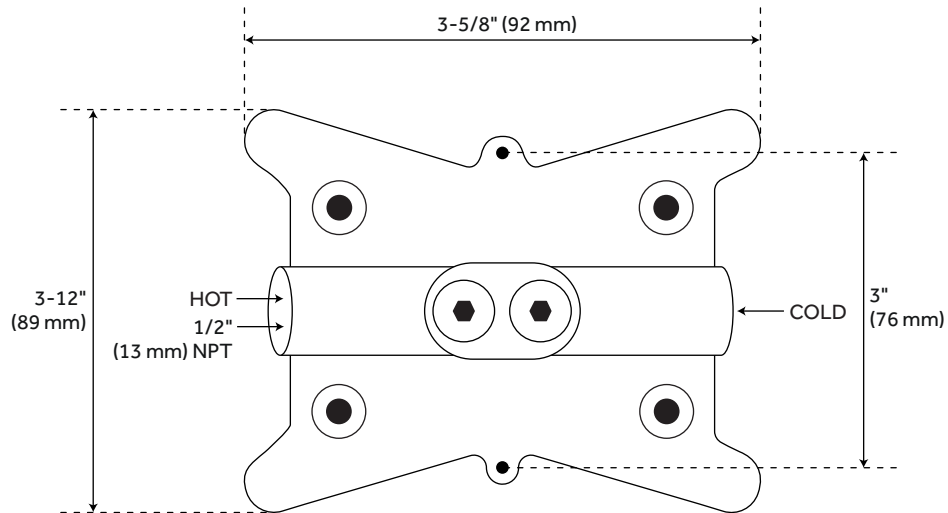
- Not compatible with Ryle, Napier, Keswick, Copper and Cybelle Freestanding Tub Faucets.

REVISED 4/29/2024

FREESTANDING TUB FAUCET ROUGH-IN VALVE

SKU: 446521

SHFSR2000



All dimensions and specifications are nominal and may vary. Use actual products for accuracy in critical situations.