

# WATTS WALL-MOUNT BRIDGE BATHROOM FAUCET INSTALLATION

## BEFORE YOU BEGIN

We recommend consulting a professional if you are unfamiliar with installing plumbing fixtures. Signature Hardware accepts no liability for any damage to the faucet, plumbing, sink, counter top, or for personal injury during installation.

Observe all local plumbing and building codes.

Unpack and inspect the faucet for shipping damage. If any damage is found, contact our Customer Relations team at 1-866-855-2284.

---

## GETTING STARTED

- Ensure that you have gathered all the required materials that are needed for the installation.
- For these instructions, it is assumed that the old faucet has been completely removed and any necessary repairs or modifications to the water supply have been completed.

## TOOLS AND MATERIALS:



Plumbers  
Tape



Thread  
Sealant



Phillips  
Screwdriver



Adjustable  
Wrench



Small  
Bucket



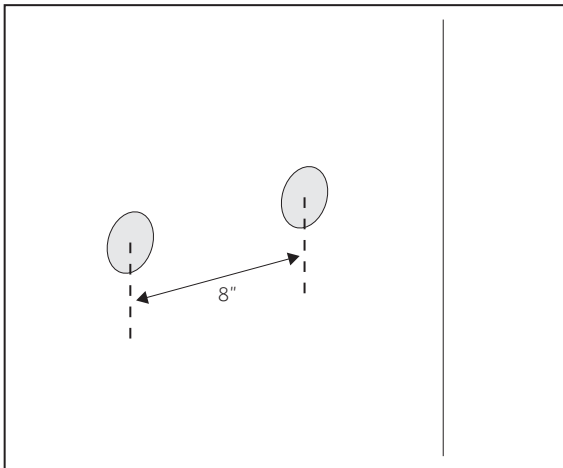
Basin  
Wrench



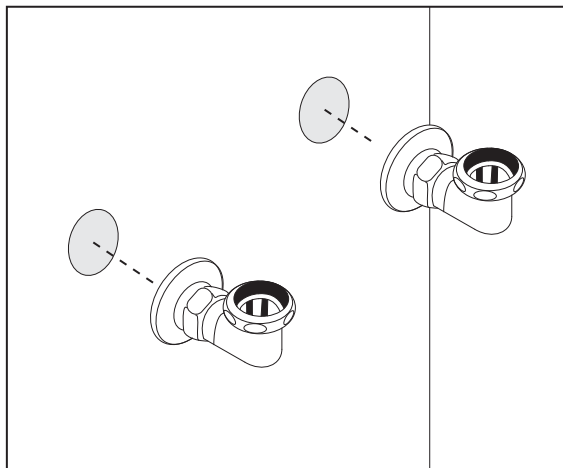
# WATTS WALL-MOUNT BRIDGE BATHROOM FAUCET INSTALLATION

## INSTALLATION

1. To prepare for faucet installation, two 1/2" IPS female fittings should be installed behind the finished wall, 8" apart on center.

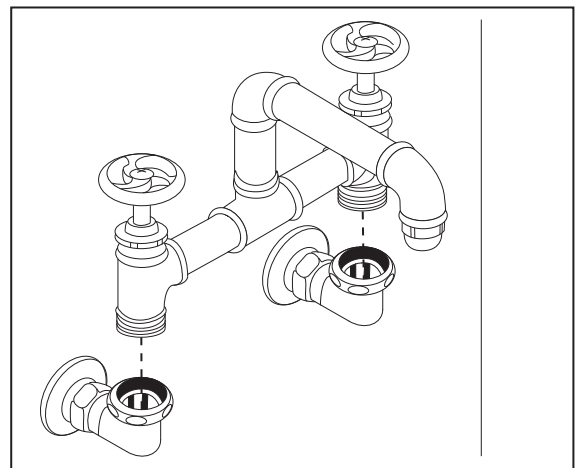


2. Attach the faucet couplers to the installed female fittings. Apply plumber's tape or thread sealant to the threads before tightening. Tighten firmly.

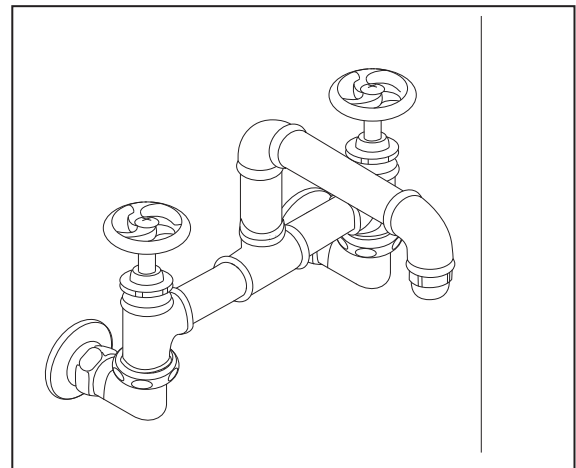


3. Attach the faucet body onto the installed faucet couplers. Tighten firmly using an adjustable wrench.

**Tip:** Wrap the nuts with a cloth before tightening to avoid scratching the decorative finish.



4. Proceed to sink drain installation. Once complete, remove the aerator from the faucet spout and turn faucet on to remove any dust or loose sediment within the water lines. Check for any leaks. Allow water to flow for 60 seconds. Reattach the aerator.

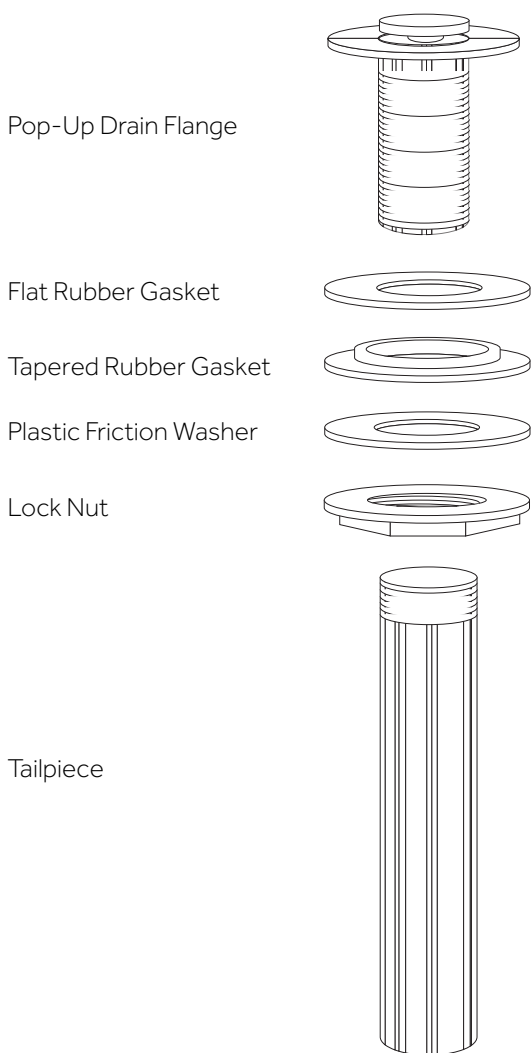




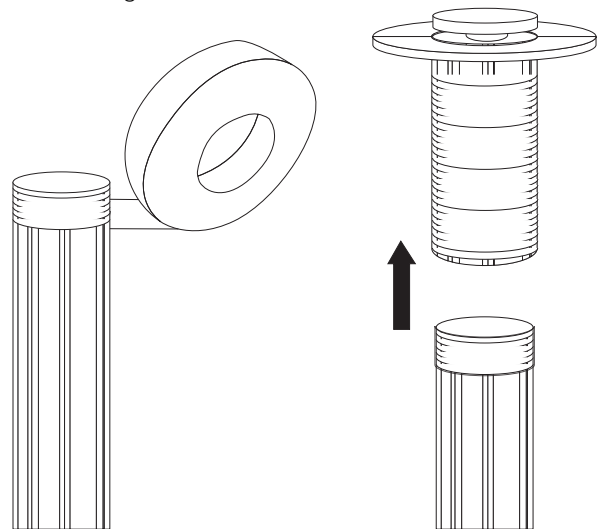
# WATTS WALL-MOUNT BRIDGE BATHROOM FAUCET INSTALLATION

## DRAIN INSTALLATION

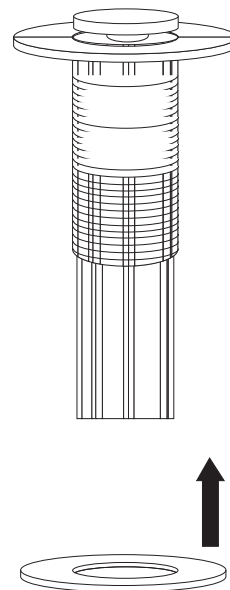
1. Dissassemble the drain assembly and lay the parts aside, in the same order they were removed. See the illustration below as a reference if needed.



2. Apply plumber's tape to the threading on the tailpiece, then reattach the tail piece to the pop-up drain flange.



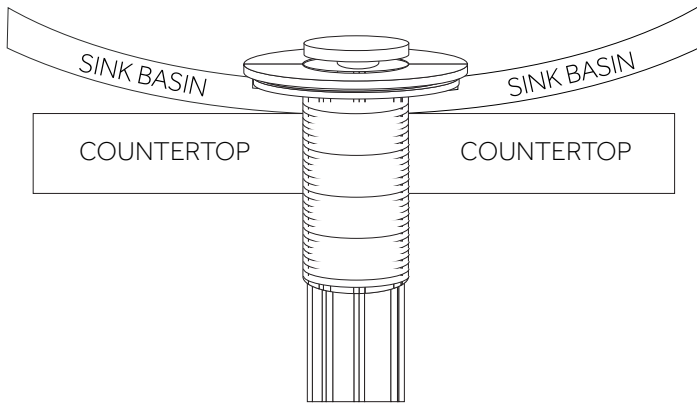
3. Slide the flat rubber gasket up the tailpiece until it meets the lip of the pop-up drain flange.



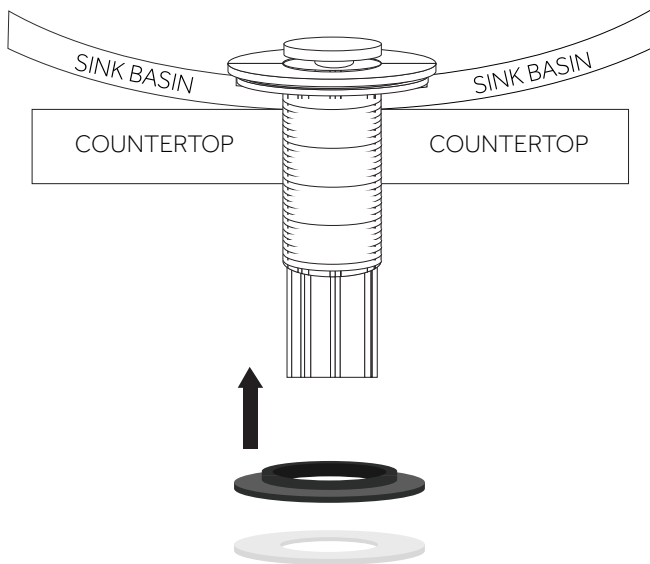


# WATTS WALL-MOUNT BRIDGE BATHROOM FAUCET INSTALLATION

4. Insert the drain flange and tailpiece through the top of your sink's drain hole.



5. From under your counter, slide the tapered rubber gasket followed by the plastic friction washer onto the tailpiece until they meet your sink or countertop. Be sure that the tapered side of the rubber washer is facing up.



6. Thread the lock nut onto the drain flange. Hand tighten until secure, then finish tightening with a basin wrench once the drain is properly aligned.

**Important:** Be careful not to overtighten, which could crack a porcelain sink or stone countertop.

