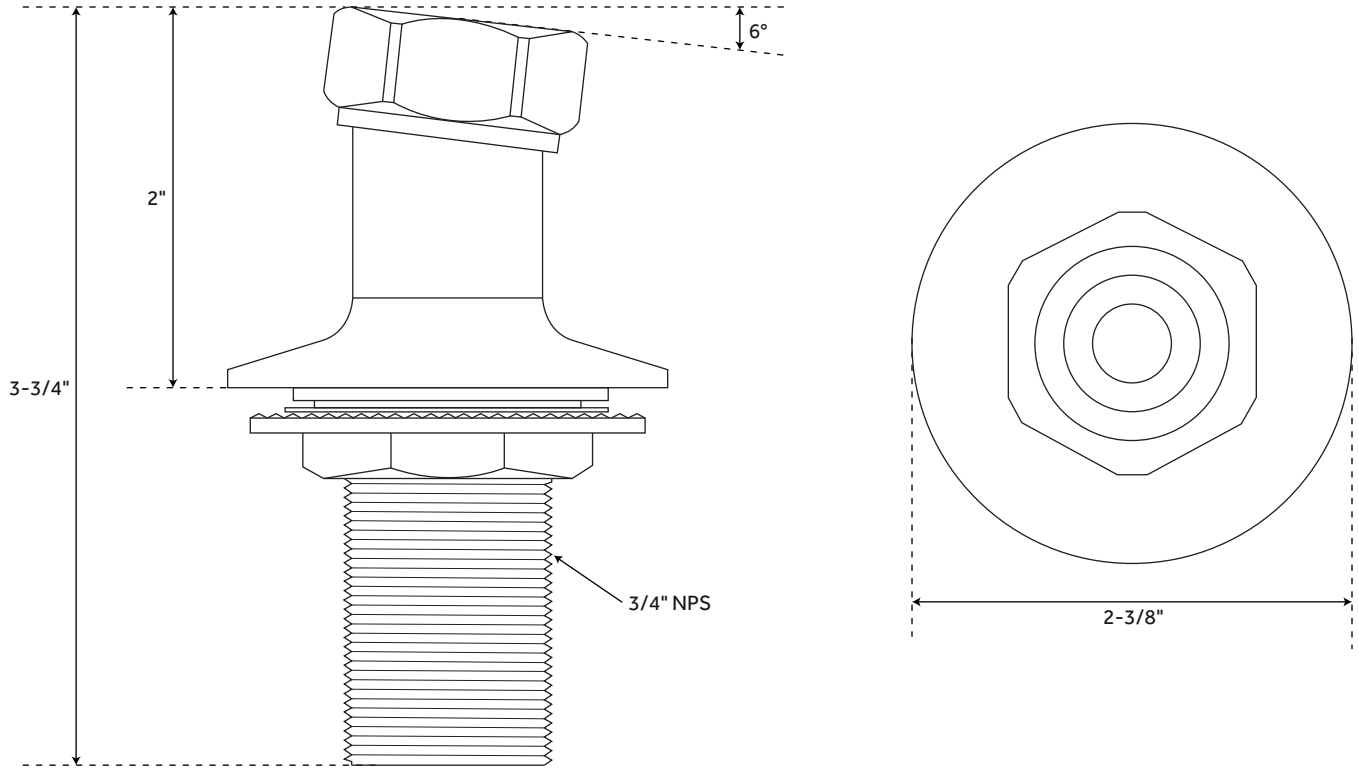


# FAUCET SHANKS

## ANGLED STRAIGHT FAUCET SHANKS

SKU: 901222



### FEATURES

- Angled At 6 Degrees
- 3/4 NPS Connection
- Base Plate Diameter: 2-3/8"
- Mainly For Use On Cast Iron Tubs
- Price Per Pair: Yes

### SIGNATURE HARDWARE LIFETIME WARRANTY

See website for warranty information



All measurements are approximate. Measurements may vary +/- 1/2".

REVISED 01/22/2019