



# EDISON SINGLE HOLE KITCHEN FAUCET

## BEFORE YOU BEGIN

We recommend consulting a professional if you are unfamiliar with installing plumbing fixtures. Signature Hardware accepts no liability for any damage to the faucet, plumbing, sink, counter top, or for personal injury during installation.

Observe all local plumbing and building codes.

Unpack and inspect the faucet for shipping damage. If any damage is found, contact our Customer Relations team at 1-866-855-2284.

## GETTING STARTED

- Ensure that you have gathered all the required materials that are needed for the installation.
- For these instructions, it is assumed that the old faucet has been completely removed and any necessary repairs or modifications to the water supply have been completed.

## TOOLS AND MATERIALS:



Plumbers  
Tape\*



Thread  
Sealant\*



Basin  
Wrench\*



Adjustable  
Wrench\*



Small  
Bucket\*

\*not included

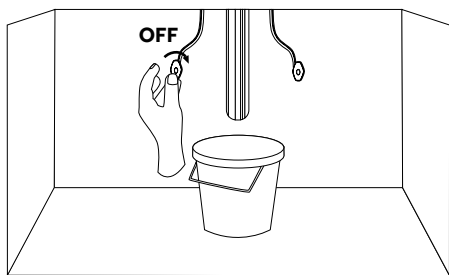


# EDISON SINGLE HOLE KITCHEN FAUCET

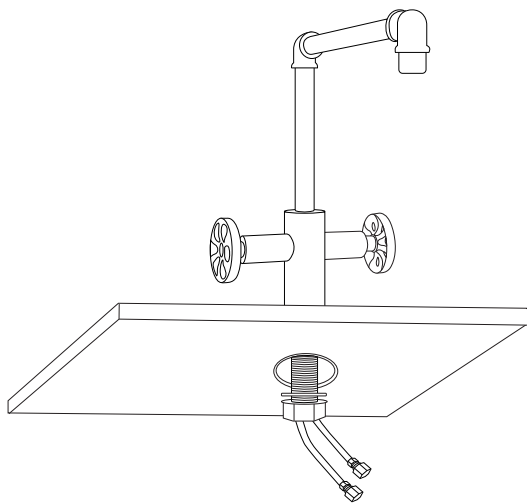
## Installation

1. Ensure that the water supply below your sink is completely shut off by turning the shutoff valves all the way to the right.

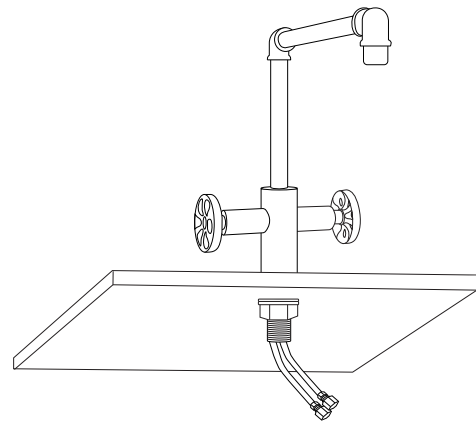
**Tip:** Place a small bucket below your workspace to catch any water that may drip during the installation process.



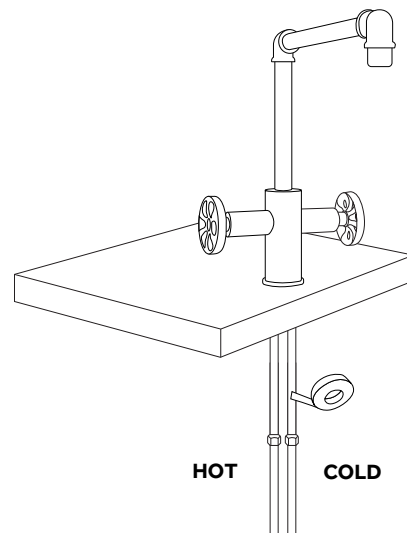
2. Remove the lock nut and rubber washer from the faucet body. Insert the faucet through the mounting hole in your counter top.



3. From beneath the sink, slide the rubber washer back onto the faucet body. Thread the locknut back onto the shank until hand tight. Finish tightening using a basin wrench.



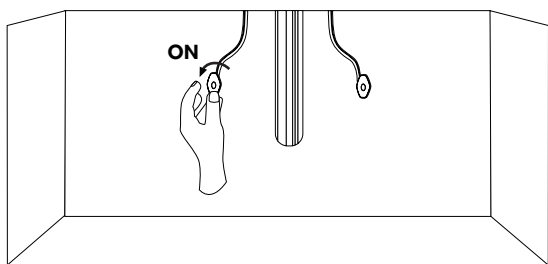
4. Apply plumber's tape or thread sealant to the threading on each of the faucet's water lines, and connect the main water hoses to the faucet. Use an adjustable wrench to tighten, but be careful not to overtighten. Ensure that you are connecting the hot and cold lines appropriately.





## EDISON SINGLE HOLE KITCHEN FAUCET

5. Once installation is complete, turn the main water supply back on from underneath your sink. Check for any leaks underneath.



6. Remove the aerator from the spout and turn the faucet on for approximately 60 seconds to remove any dust or loose sediment from the water lines. Ensure that there are no leaks, and that both hot and cold water are running properly. Turn the water off and reattach the aerator.

