



# CUMBERLAND KITCHEN FAUCET INSTALLATION

## BEFORE YOU BEGIN

We recommend consulting a professional if you are unfamiliar with installing plumbing fixtures. Signature Hardware accepts no liability for any damage to the faucet, plumbing, sink, counter top, or for personal injury during installation.

Observe all local plumbing and building codes.

Unpack and inspect the faucet for shipping damage. If any damage is found, contact our Customer Relations team at 1-866-855-2284.

---

## GETTING STARTED

- Ensure that you have gathered all the required materials that are needed for the installation.
- For these instructions, it is assumed that the old faucet has been completely removed and any necessary repairs or modifications to the water supply have been completed.

## TOOLS AND MATERIALS:



Plumbers  
Tape



Thread  
Sealant



Phillips  
Screwdriver



Adjustable  
Wrench



Small  
Bucket

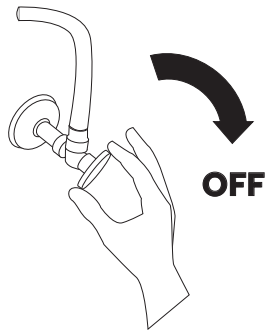


# CUMBERLAND KITCHEN FAUCET INSTALLATION

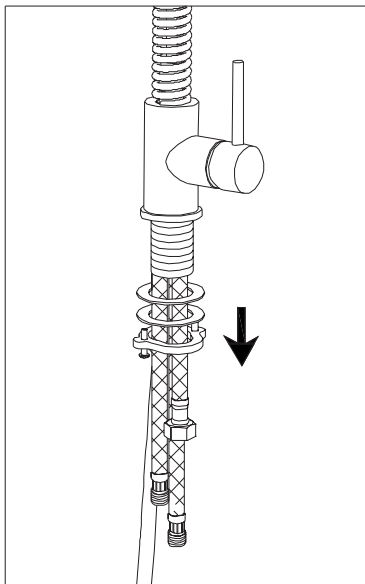
## INSTALLATION

1. Ensure that the water supply below your sink is completely shut off by turning the shutoff valves all the way to the right.

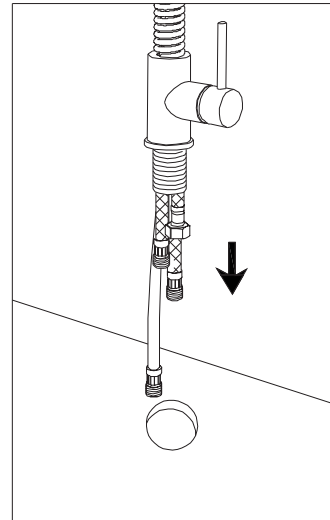
**Tip:** Place a small bucket below your workspace to catch any water that may drip during the installation process.



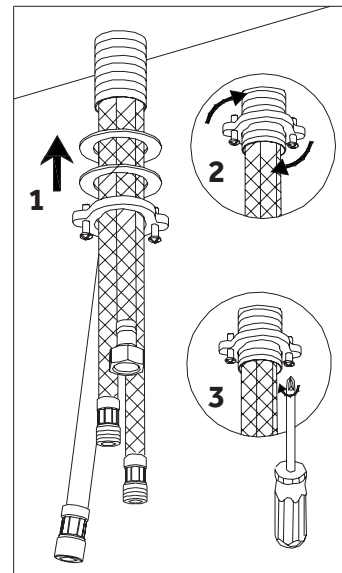
2. Remove all mounting hardware from the faucet's threaded shank. Take note of the order in which pieces are removed.



3. Insert the faucet into its prepared mounting hole.



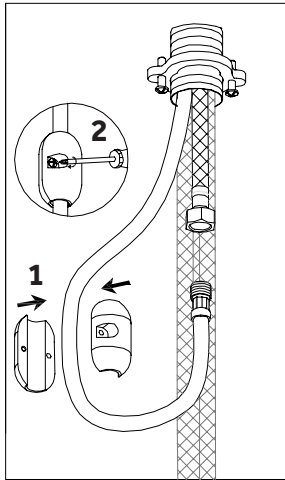
4. From below, reassemble and reattach all mounting hardware in the reverse order in which it was removed in step two. Use a phillip's screwdriver to tighten the screws located on the lock nut to fully secure.



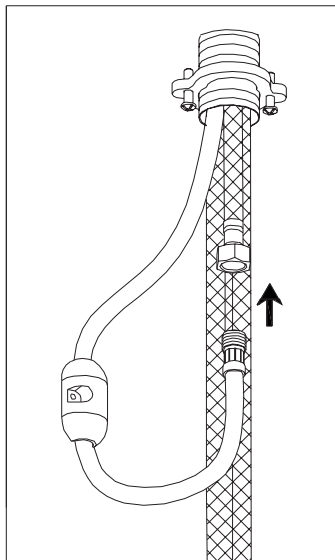


# CUMBERLAND KITCHEN FAUCET INSTALLATION

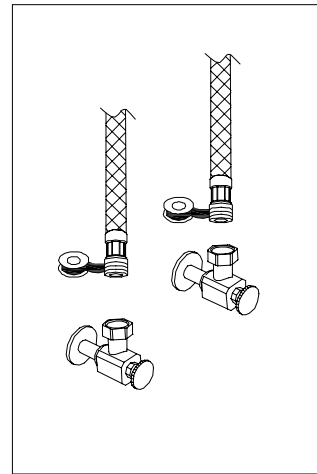
5. Disassemble the provided hose weight to prepare for installation. On the handspray side of the hose, measure 15" down from the body of the faucet. Install the weight on the hose at this location.



6. Connect the hand spray hose to the faucet as shown below. Apply thread sealant or plumber's tape to the threads before tightening. Tighten firmly, but be cautious not to overtighten.



7. Attach the faucet to your main water supply using the provided hoses. Apply thread sealant or plumber's tape to all threads before tightening. Tighten firmly, but be cautious not to overtighten.



8. Once installation is complete, turn the main water supply back on from underneath your sink. Check for any leaks below.





# CUMBERLAND KITCHEN FAUCET INSTALLATION

9. Remove the hand sprayer by unthreading it from the sprayer hose. Turn the faucet on for approximately 60 seconds to remove and dust or loose sediment from the water lines. Make sure that there are no leaks. Check to ensure that both hot and cold water are running accordingly. Reattach the hand sprayer and turn on the hand sprayer function. Allow the sprayer to run for another 60 seconds and check for any leaks.

