

# 67" NORTHWICH ACRYLIC FREESTANDING SLIPPER TUB

SKU: 946122

Code: SH442199, SH462808



## FEATURES

Tub Material: Acrylic  
Product Finish: White  
Shape: Specialty  
Tub Drain Placement: End  
Drain Included: Yes  
Water Depth to Overflow: 16-1/8"  
Water Capacity (Gallons): 54  
Built-In Adjusters: Yes  
Tub Weight Uncrated (lbs): 112.4  
Optional Accessory: 428473

CSA B45.5/IAPMO Z124, LISTED ID: SH112058AWH, SH112058AWH-F



## ADDITIONAL FEATURES

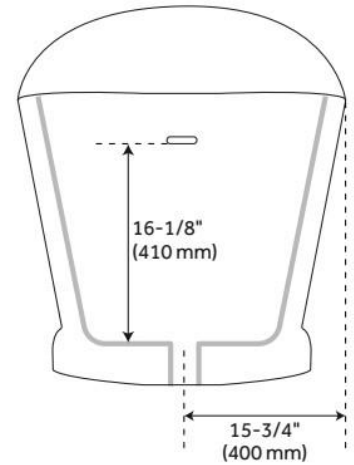
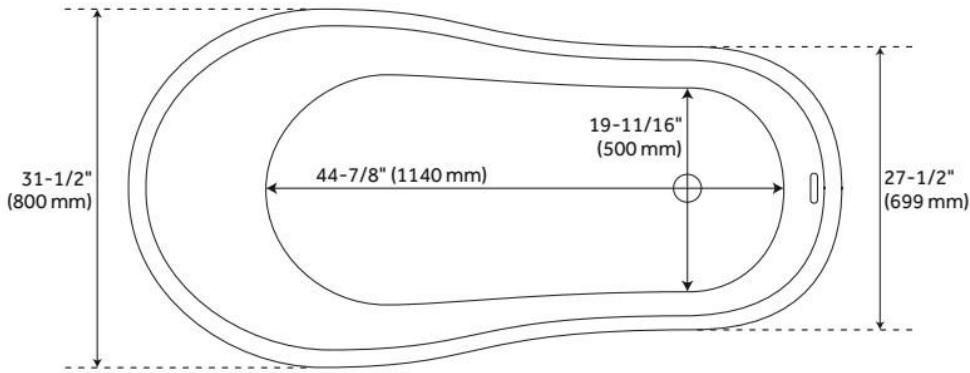
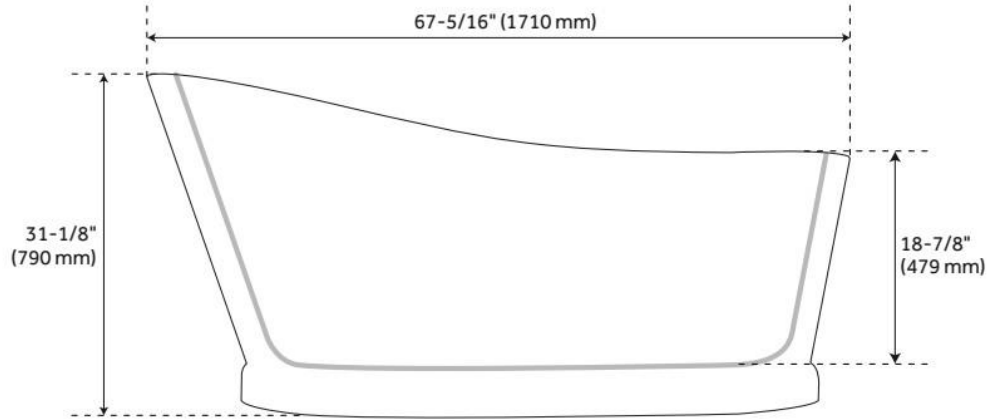
- All dimensions are ( $\pm 1/2$ ").
- Formed of two acrylic sheets, the air between acting as thermal insulator.
- Insulation option: increases heat retention and prevents condensation due to water and air temperature fluctuations.
- Optional Quick Connect Drop-In Drain Kit Includes:
  - Floor Plate, 1-1/2" PVC Pipe, 2" x 1-1/2" Trap Adapters, 1 Brass Threaded, 1 Brass Unthreaded Tailpiece and Plug.
  - Installs above your subfloor, but underneath your cement floor or tile, so you do not need access below the fixture.

REVISED 6/19/2024

# 67" NORTHWICH ACRYLIC FREESTANDING SLIPPER TUB

SKU: 946122

Code: SH442199, SH462808



REVISED 6/19/2024