

67" AMELIA

ACRYLIC FREESTANDING SLIPPER TUB

SKU: 944528



CONTENTS

67" TUB PAGE 2

FEATURES

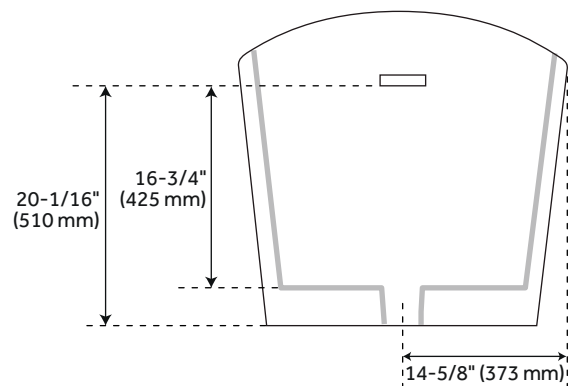
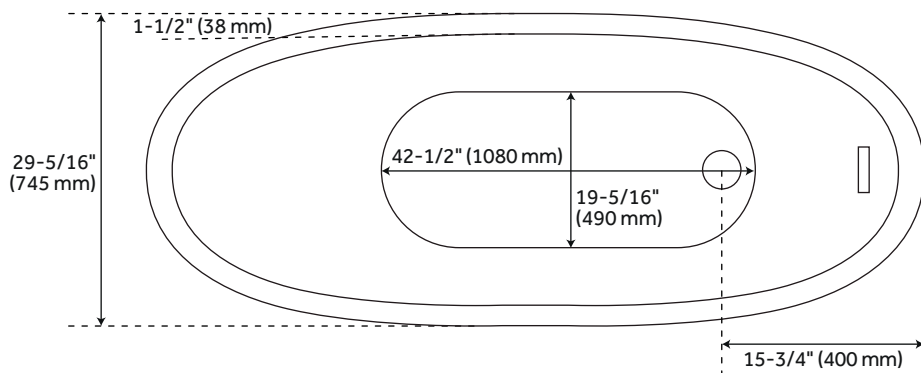
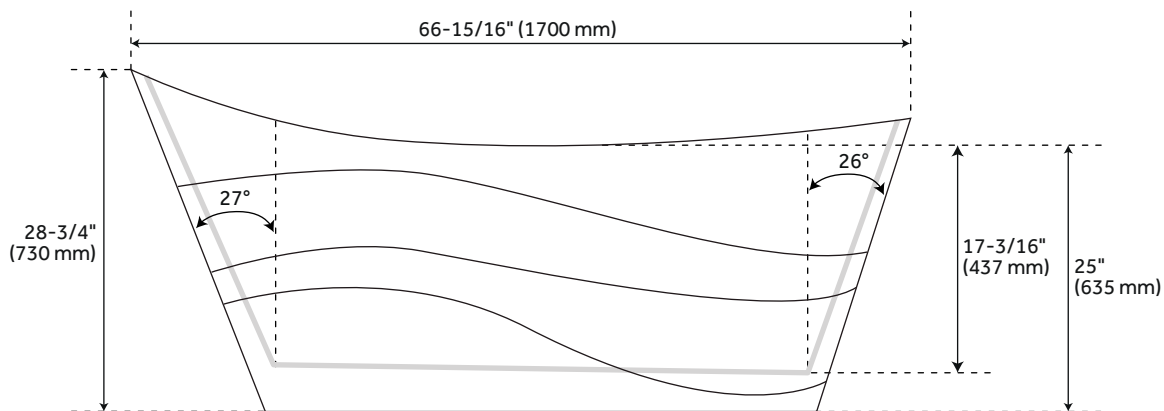
- Design: Modern
- Product Finish: White
- Features: Integral Drain & Overflow
- Overflow Hole: Yes
- Integral Drain & Overflow: Yes
- Shape: Oval
- Material: Acrylic
- Tap Deck: No
- Drain Included: Yes
- Drain Placement: End
- Faucet Included: No
- Built-In Adjusters: Yes
- Trim kit Includes: Pop-Up Drain with Matching Drain Cover and Overflow Plate in Your Choice of Color
- Formed of Two Acrylic Sheets, the Air Between Acting as Thermal Insulator
- Insulation Option: Increases Heat Retention and Prevents Condensation Due to Water and Air Temperature Fluctuations
- Optional Quick Connect Drop-In Drain Kit Includes:
 - Floor Plate
 - 1-1/2" PVC Pipe
 - 2" x 1-1/2" Trap Adapters
 - 1 Brass Threaded
 - 1 Brass Unthreaded Tailpiece and Plug
- Installs Above Your Subfloor, but Underneath Your Cement Floor or Tile, so You Do Not Need Access Below the Fixture

REVISED 03/16/2021

67" AMELIA

ACRYLIC FREESTANDING SLIPPER TUB

SKU: 944528



FEATURES

- Length: 66-15/16"
- Width: 29-5/16"
- Height: 28-3/4"
- Tub Interior Length: 42-1/2"
- Tub Interior Width: 19-5/16"
- Water Depth To Overflow: 16-3/4"
- Water Depth to Rim: 17-3/16"
- Water Capacity Without Overflow (Gallons): 70
- Water Capacity With Overflow (Gallons): 62
- Tub Weight Uncrated (Lbs): 142
- Tub Weight Crated (Lbs): 224

PRODUCT IMAGE

