



SPINOZA SINGLE-HOLE FAUCET

INSTALLATION INSTRUCTIONS

Before installing, read entire Single Hole Faucet Installation Instructions. Observe all local building and safety codes.

Unpack and inspect the product for any shipping damages. If you find damages, do not install. Contact Customer Service at 1-866-855-2284. If you need assistance or have questions while installing your Single Hole Faucet, contact Customer Service.

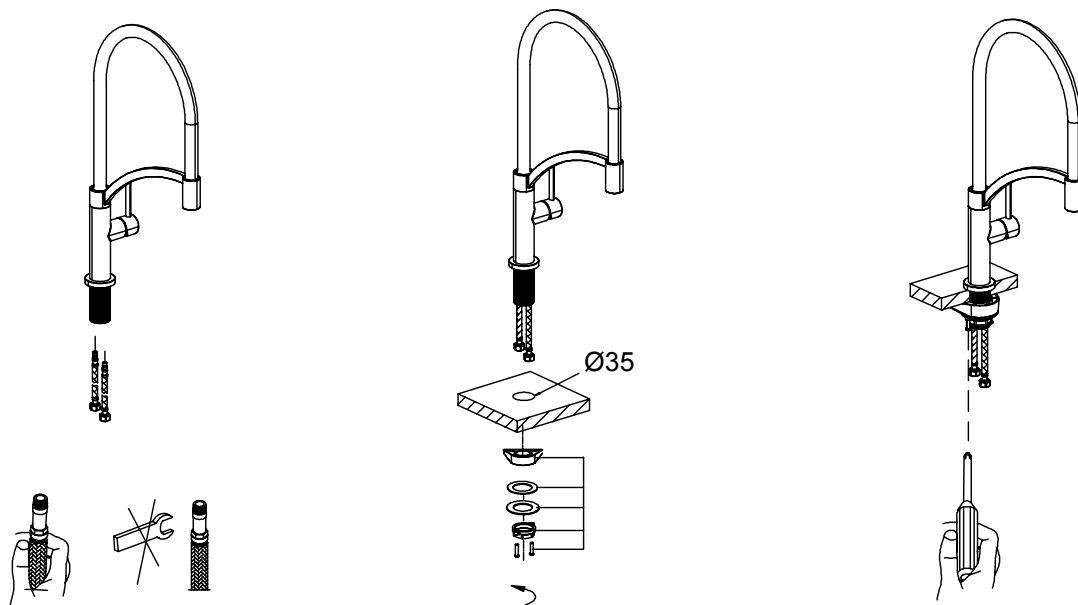
We recommend consulting a professional if you are unfamiliar with installing kitchen fixtures. Signature Hardware accepts no liability for any damage to the floor, walls, plumbing or for personal injury during installation.

TOOLS AND MATERIALS:

Screwdriver

INSTALLATION

1. Attach the flexible water feed tubes to the tail-piece.
2. Thread the faucet through the mounting hole and thread the mounting hardware onto the tail-piece from underneath the sink.
3. Make sure that faucet is properly aligned and tighten the screws on the mounting nut with a screwdriver.
4. Hand tighten to attach the water feed tubes to the main water supply, being careful not to cross the two during installation. Curve tubes as necessary to ensure there are no kinks or knots.
5. When your faucet installation is complete, turn on the water supply. Check to make sure that all connections are tight (no water should be leaking) and that the hot and cold supplies are working correctly. Turn the water on and allow the water to flow through the spout for approximately 60 seconds.





PARTS LIST:

1	44.3234.01001
2	SD11806090200
3	OXQ24015
4	SD11806090400
5	SD11806090500
6	OXQ17020
7	M0204008
8	SD11806090800
9	SD11806090900
10	OXQ19020
11	SD11806091100
12	FX0301
13	SD11806091300
14	SD11806091400
15	SD1101000200
16	M0105004
17	SD11806091700
18	M0104005
19	OXQ13020
20	SD11806092000
21	SD10101000800
22	SD11806092200
23	OXQ44030
24	SD10106502000
25	SD10101000700
26	G0110
27	PW-03

