



PEDESTAL SINK

BEFORE INSTALLING

Read entire Pedestal Sink Installation Instructions. Observe all local building and safety codes.

INSTRUCTIONS

For the following installation instructions for your new pedestal sink it is assumed that any old fixtures have been removed and that the water supply lines and drain pipe are in place.

Unpack and inspect the product for any shipping damages. If you find damages, do not install. Contact Customer Service at 1-866-855-2284. If you need assistance or have questions while installing your sink, contact Customer Service.

Because wall construction and materials vary from home to home, Signature Hardware does not provide mounting hardware for all of our wall-mount products. The appropriate mounting hardware can be purchased from your local hardware store.

If the sink will be mounted to a hollow wall, such as drywall or plaster, the sink and/or bracket should be mounted to a solid wood blocking behind the wall via lag bolts or dowel bolts. If wall studs are unavailable, such blocking must be installed.

We recommend consulting a professional if you are unfamiliar with installing bathroom fixtures. Signature Hardware accepts no liability for any damage to the floor, walls, plumbing or for personal injury during installation

INSTALLATION

1. If the pedestal sink is in two pieces, assemble the basin on top of the pedestal to confirm proper height and alignment. Place the sink in position and mark the wall through each of the mounting holes at the back of the basin.

Tip: Verify that the sink and mounting location are level before marking the locations of the mounting holes. If the sink is not level, place a shim under the pedestal or basin and adjust as necessary.

2. Set pedestal aside and drill mounting holes in the locations designated in the step 1.

3 Attach your new faucet and drain assembly according to the installation instructions before installing pedestal.

4. Position the pedestal below the installed sink. To hold in place, apply a bead of silicone sealant along the top and bottom edges of the pedestal.

5. Attach the water supply and drain lines.

6. When installation is complete, turn on the water supply to check for any leaking from the water supply lines or pedestal sink basin. If a lavatory drain is included, move on to the **Drain Installation** section.

TOOLS AND MATERIALS:



Pencil



Drill



Level



Silicone Sealant
(100% Neutral Cure)



Thread Sealant



Socket Wrench



Crescent Wrench



Screwdriver



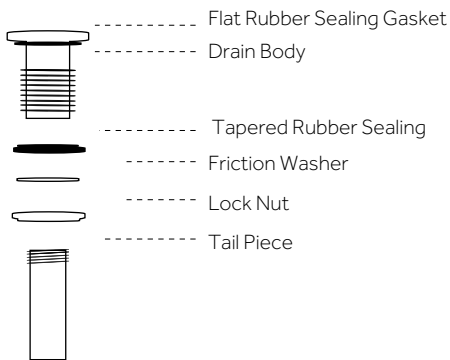
Basin Wrench



DRAIN INSTALLATION

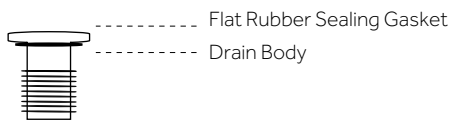
DRAIN INSTALLATION

1. Disassemble the drain by removing the threaded tail piece, rubber sealing gaskets, friction washer and lock nut from the drain body.

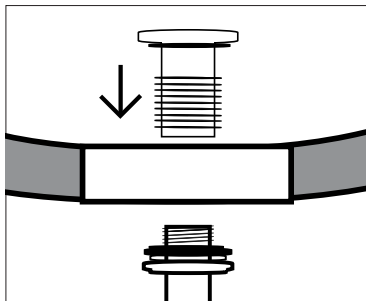


2. Place thread sealant on the threaded section of the tail piece and reattach to the drain body.

3. Slide the flat rubber sealing gasket up the tail piece to the top of the drain body. This gasket will create a water tight seal between the drain flange and sink.

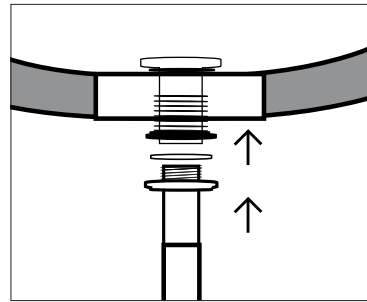


4. Place the drain in the drain hole in the sink.



5. On the underside of the counter, attach the tapered rubber gasket. With the flat side facing down, slide the gasket up the threaded shank until it makes contact with the bottom of the sink.

6. Slide the friction washer up to meet the rubber gasket.



7. Thread the lock nut onto the threaded shank. Hand-tighten and make sure that the drain is properly aligned. When ready, finish tightening with a basin wrench to secure the drain.

