



VINTAGE WIDESPREAD FAUCET INSTALLATION

BEFORE YOU BEGIN

We recommend consulting a professional if you are unfamiliar with installing plumbing fixtures. Signature Hardware accepts no liability for any damage to the faucet, plumbing, sink, counter top, or for personal injury during installation.

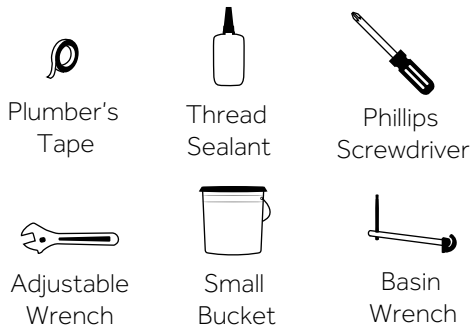
Observe all local plumbing and building codes.

Unpack and inspect the faucet for damage. If any damage is found, contact our Customer Relations team at 1-866-855-2284.

GETTING STARTED

- Ensure that you have gathered all the required materials that are needed for the installation.
- For these instructions, it is assumed that the old faucet has been completely removed and any necessary repairs or modifications to the water supply have been completed.

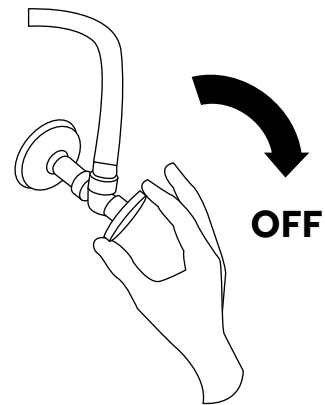
TOOLS AND MATERIALS:



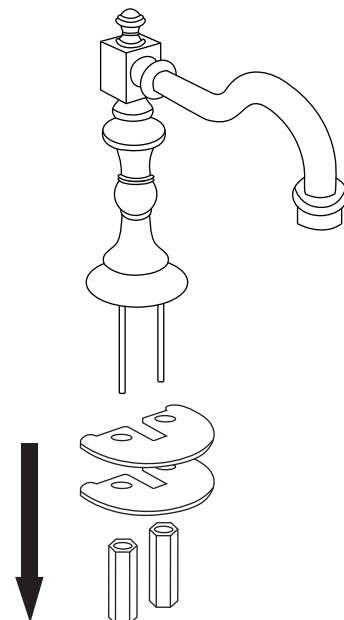
INSTALLATION

1. Ensure that the water supply below your sink is completely shut off by turning the shutoff valves all the way to the right.

Tip: Place a small bucket below your workspace to catch any water that may drip during the installation process.



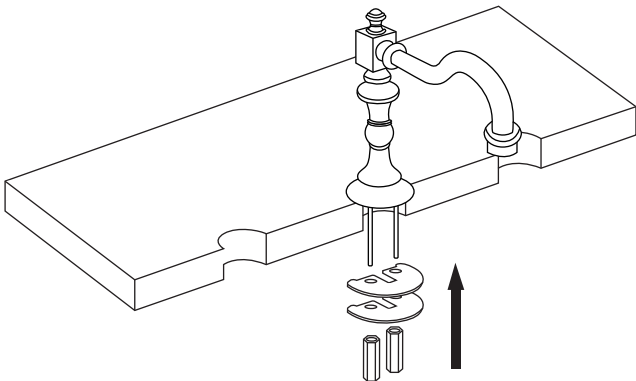
2. Remove the lock nuts, metal washer, and rubber gasket from the threaded mounting posts on the faucet spout.



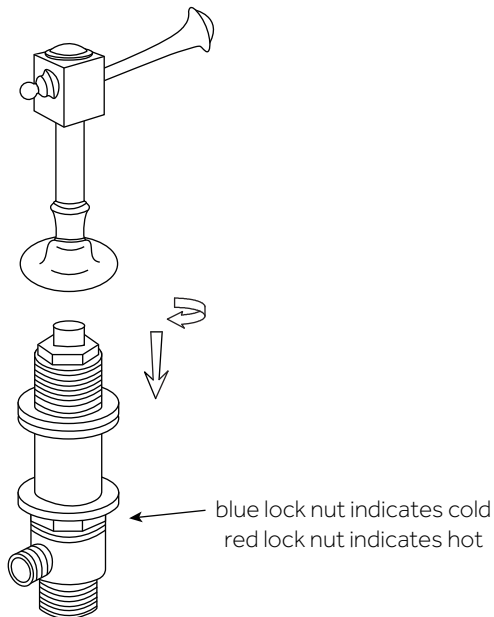


VINTAGE WIDESPREAD FAUCET INSTALLATION

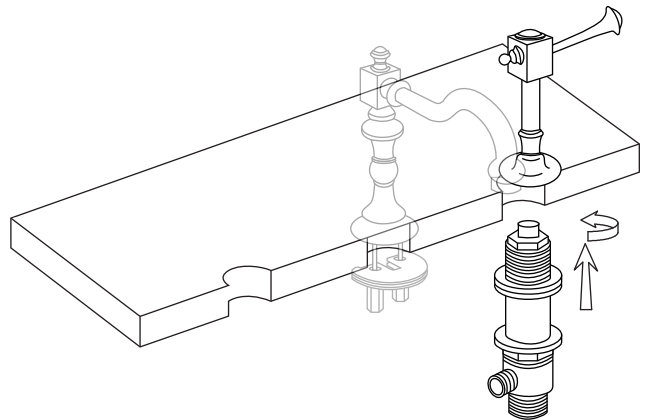
3. Set the spout into the center faucet hole. From beneath the countertop, slide the rubber gasket and metal washer back onto the threaded mounting posts. Hand tighten the lock nuts, then finish tightening using an adjustable wrench.



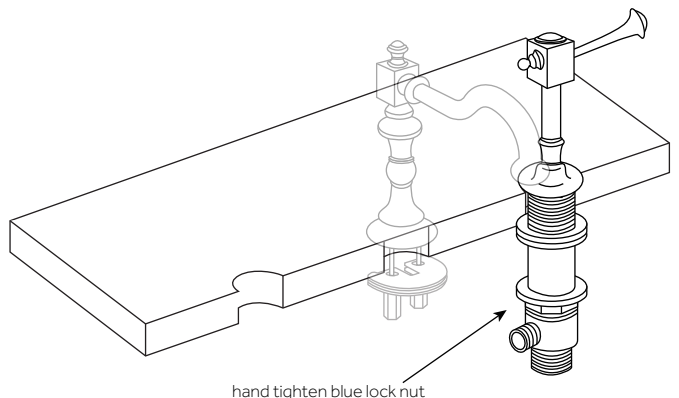
4. The faucet's valve stems are labeled by the color of their lock nut - blue for 'cold' and red for 'hot.' Remove the handle assembly from the 'cold' valve stem to prepare for install.



5. Set the handle assembly into the right-side faucet hole. From under the countertop, reattach the valve stem to the handle assembly by hand tightening. Apply thread sealant or plumber's tape to the threaded connection before tightening.



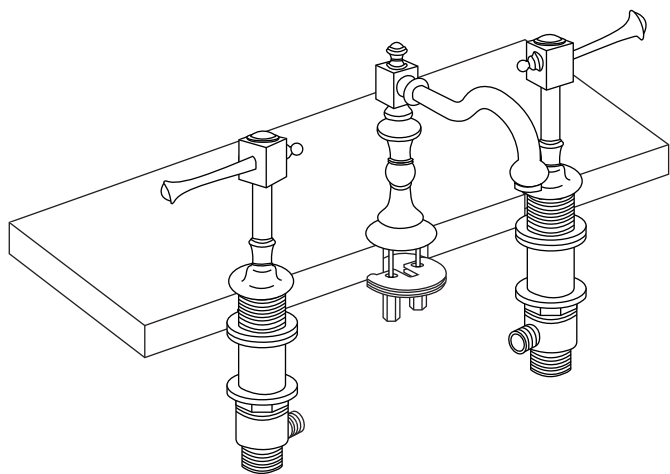
6. Slide the rubber gasket and brass spacer to the top of the valve stem against the countertop, and hold in place. Hand tighten the plastic lock nut until secure. Position the stem so that the outlet on the side of the stem is pointing inward, towards the faucet spout. Finish tightening the lock nut using a basin wrench.



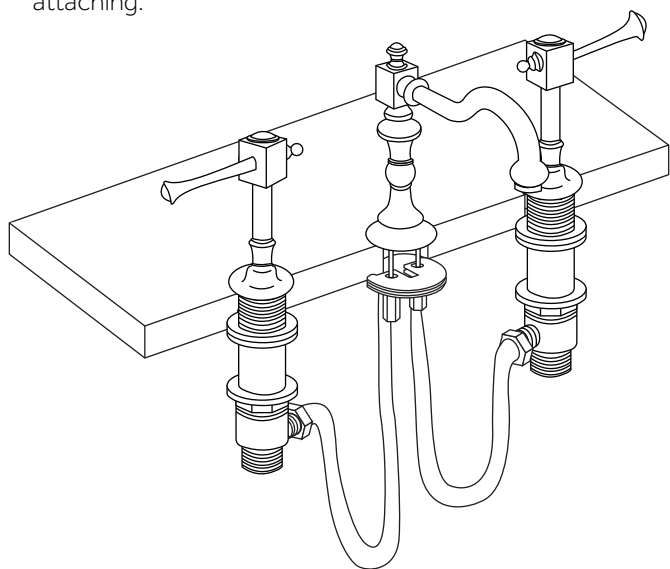


VINTAGE WIDESPREAD FAUCET INSTALLATION

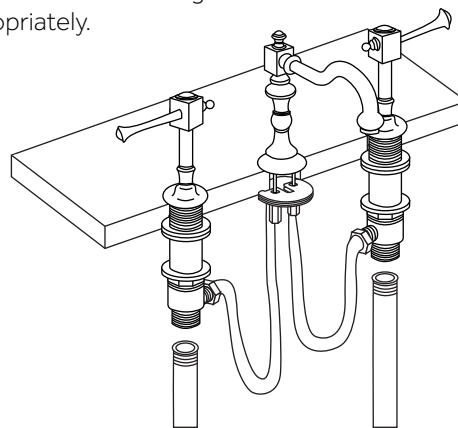
7. Repeat steps 4-6 to install the 'hot' valve stem and handle assembly into the left-side faucet hole.



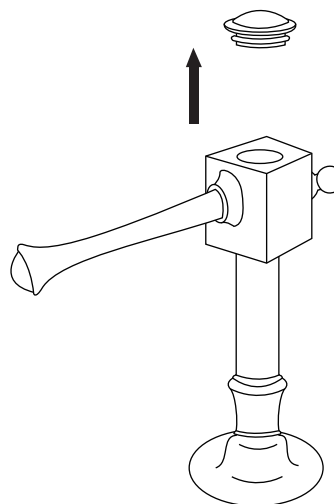
8. Secure the braided water lines attached to the spout to the appropriate outlet on the side of each valve stem. Use an adjustable wrench to tighten, but be careful not to overtighten. Apply thread sealant or plumber's tape to each threaded connection before attaching.



9. Attach the main water lines attached to the spout to the appropriate outlet on the side of each valve stem. Use an adjustable wrench to tighten, but be careful not to overtighten. Apply thread sealant or plumber's tape to each threaded connection. Ensure that you are connecting the hot and cold lines appropriately.



10. It is likely that the faucet handles will need to be correctly adjusted for proper position. To adjust the handles, they will need to be removed. Remove them by loosening the screw underneath the decorative cover plug on top of each handle. Position the handle in its correct position, then reattach.



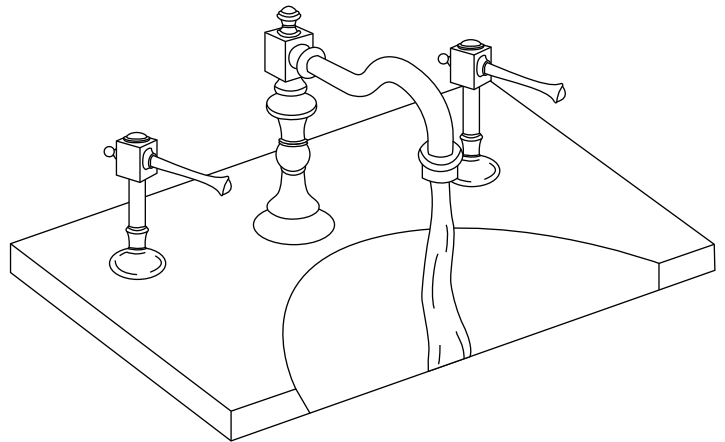


VINTAGE WIDESPREAD FAUCET INSTALLATION

11. Once installation is complete, turn the main water supply back on from below your sink. Check for any leaks underneath.



12. Remove the aerator from the spout and turn the faucet on for approximately 60 seconds to allow any dust or loose sediment to exit the water lines. Check for any leaks. Test both hot and cold water to ensure they are running properly. Once testing is complete, reattach the aerator.

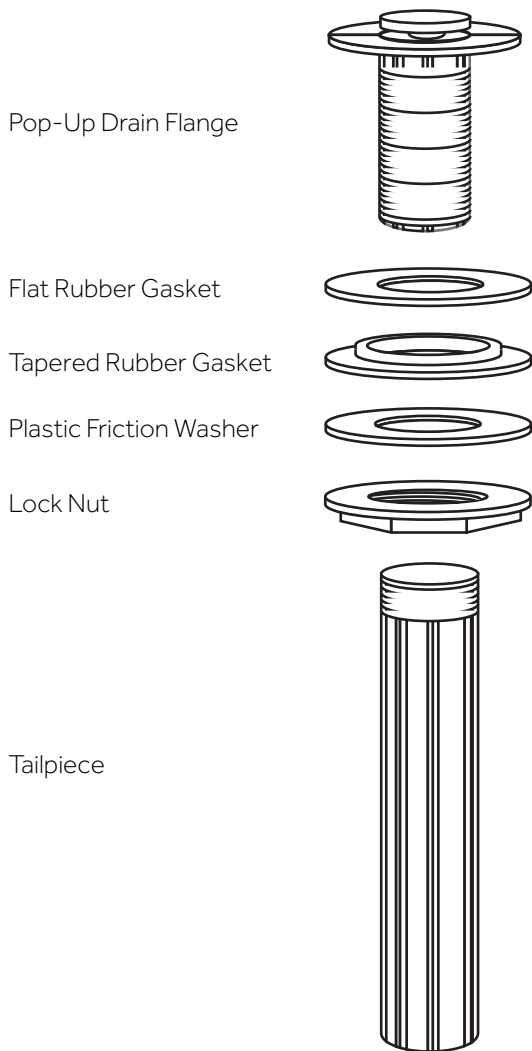




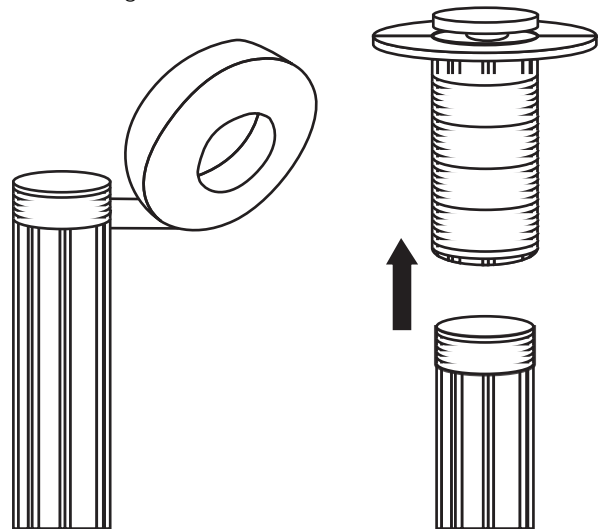
VINTAGE WIDESPREAD FAUCET INSTALLATION

DRAIN INSTALLATION

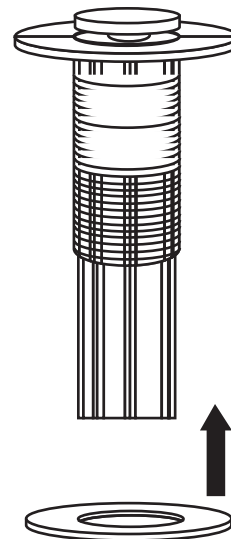
1. Dissassemble the drain assembly and lay the parts aside, in the same order they were removed. See the illustration below as a reference if needed.



2. Apply plumber's tape to the threading on the tailpiece, then reattach the tail piece to the pop-up drain flange.



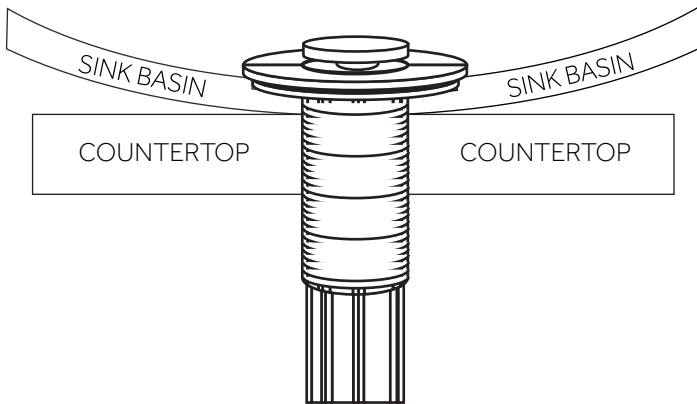
3. Slide the flat rubber gasket up the tailpiece until it meets the lip of the pop-up drain flange.



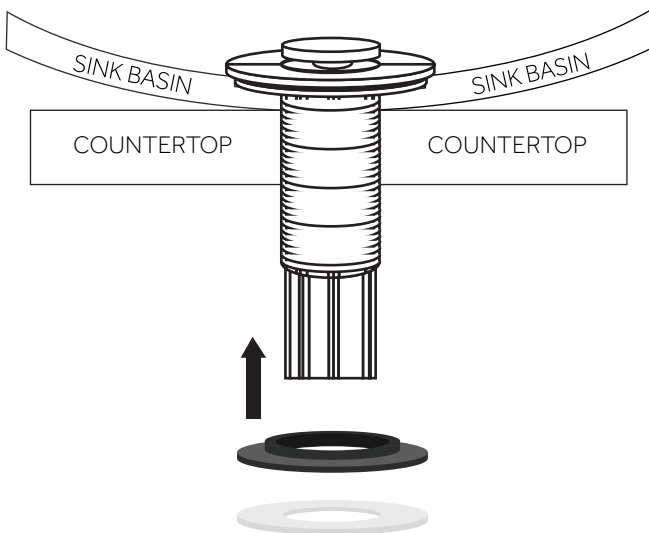


VINTAGE WIDESPREAD FAUCET INSTALLATION

4. Insert the drain flange and tailpiece through the top of your sink's drain hole.



5. From under your counter, slide the tapered rubber gasket followed by the plastic friction washer onto the tailpiece until they meet your sink or countertop. Be sure that the tapered side of the rubber washer is facing up.



6. Thread the lock nut onto the drain flange. Hand tighten until secure, then finish tightening with a basin wrench once the drain is properly aligned.

Important: Be careful not to overtighten, which could crack a porcelain sink or stone countertop.

