



# ENID WIDESPREAD FAUCET INSTALLATION

## BEFORE YOU BEGIN

We recommend consulting a professional if you are unfamiliar with installing plumbing fixtures. Signature Hardware accepts no liability for any damage to the faucet, plumbing, sink, counter top, or for personal injury during installation.

Observe all local plumbing and building codes.

Unpack and inspect the faucet for damage. If any damage is found, contact our Customer Relations team at 1-866-855-2284.

## GETTING STARTED

- Ensure that you have gathered all the required materials that are needed for the installation.
- For these instructions, it is assumed that the old faucet has been completely removed and any necessary repairs or modifications to the water supply have been completed.

## TOOLS AND MATERIALS:



Plumbers Tape\*



Thread Sealant\*



Phillips Screwdriver\*



Adjustable Wrench\*



Small Bucket\*



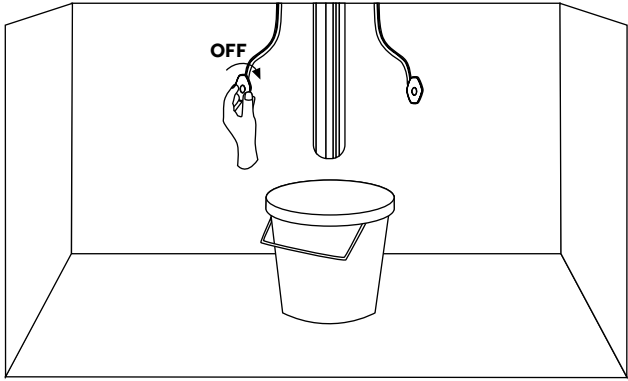
Basin Wrench\*

\*not included

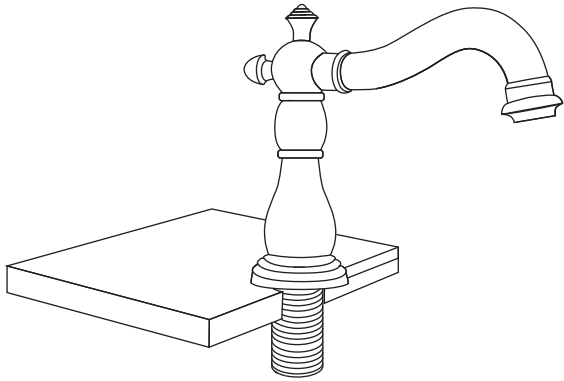
## INSTALLATION

1. Ensure that the water supply below your sink is completely shut off by turning the shutoff valves all the way to the right.

**Tip:** Place a small bucket below your workspace to catch any water that may drip during the installation process.



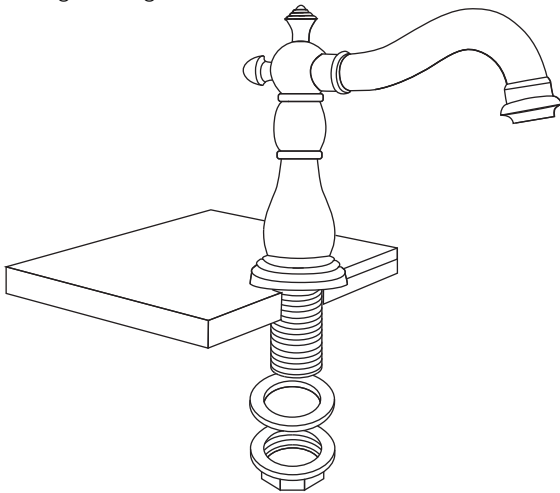
2. Remove the T-connector, lock nut, and rubber gasket from the spout body. Set the spout into the center faucet hole.



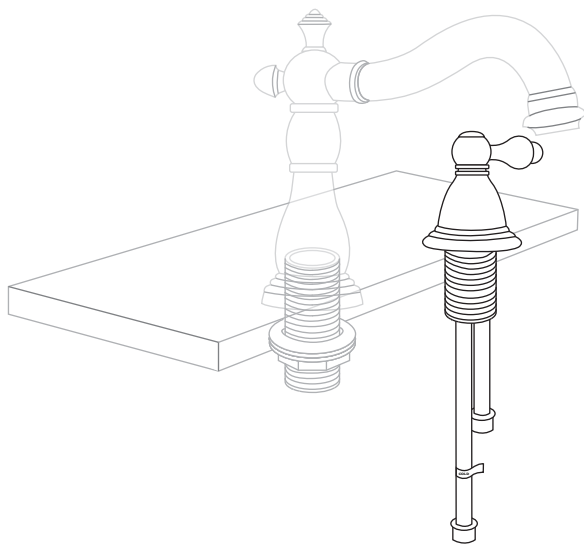


## ENID WIDESPREAD FAUCET INSTALLATION

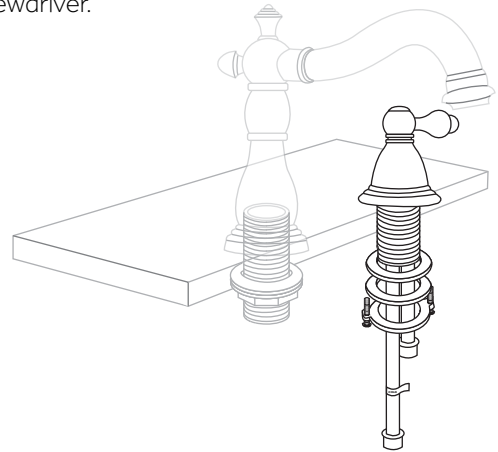
3. From under the counter, slide the rubber gasket back onto the spout body and secure using the lock nut. Hand tighten the lock nut, then use a basin wrench to finish tightening.



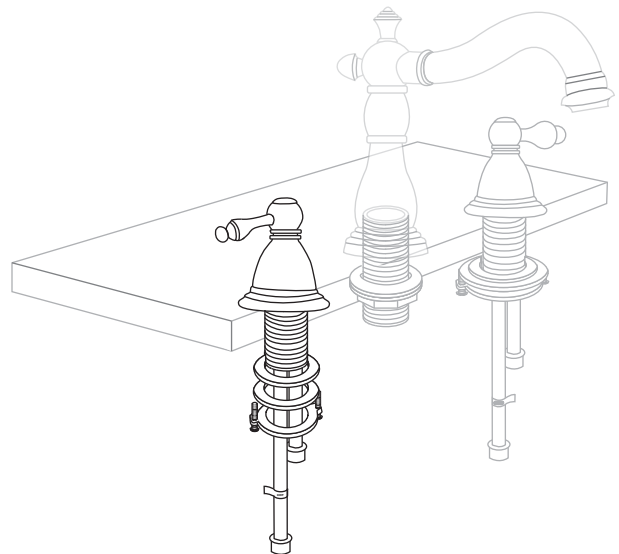
4. Remove the lock nut, metal washer, and rubber gasket from the handle valve labeled 'cold.' Insert the handle valve into the faucet hole on the right.

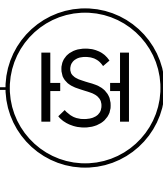


5. From under the counter, slide the rubber gasket back onto the handle valve followed by the metal washer. Secure the handle valve to the counter by hand tightening the lock nut. Finish securing by tightening the screws on the lock nut using a Philips head screwdriver.



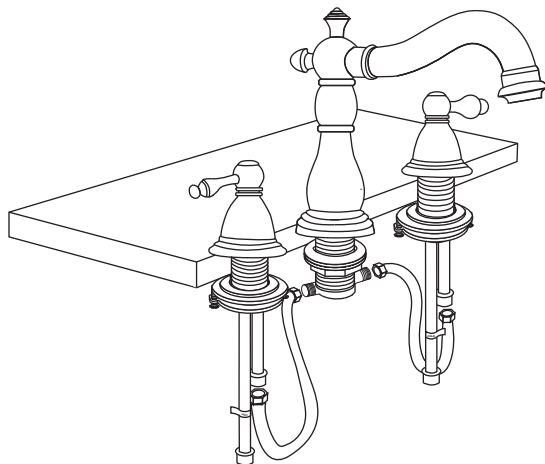
6. Repeat steps 4 and 5 for installing the 'hot' handle valve into the left faucet hole.



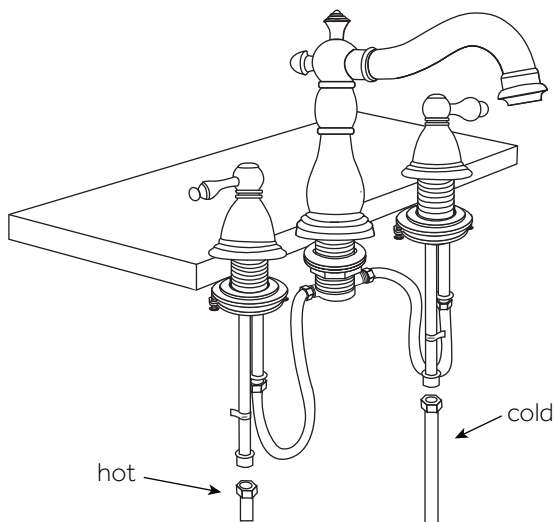


## ENID WIDESPREAD FAUCET INSTALLATION

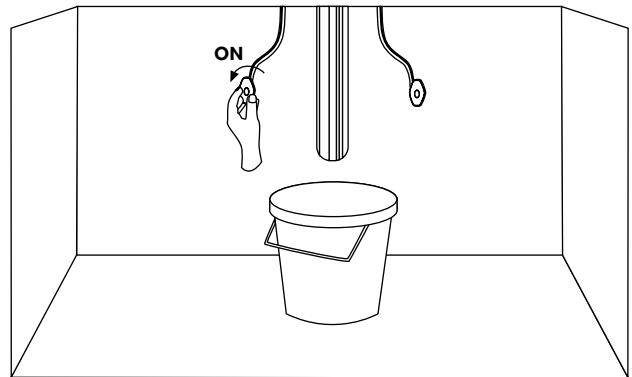
7. Use the provided braided water lines to connect the hot and cold handle valves to the spout's T-connector. Use an adjustable wrench to tighten, but be careful not to overtighten. Apply thread sealant or plumber's tape to each threaded connection before attaching.



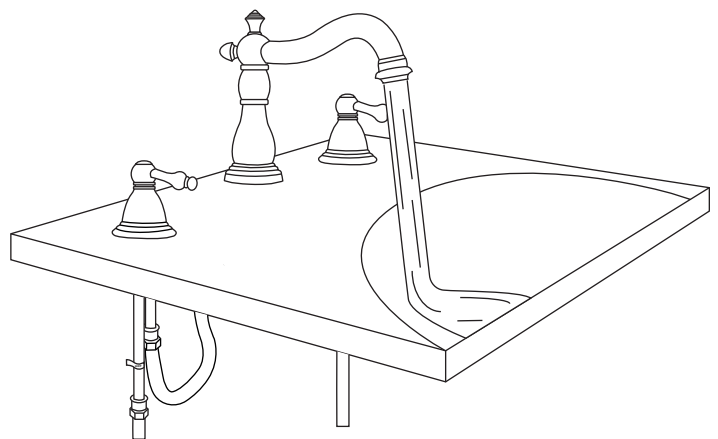
8. Attach the main water lines to the proper inlet of each handle valve. Use an adjustable wrench to tighten, but be careful not to overtighten. Apply thread sealant or plumber's tape to each threaded connection. Ensure that you are connecting the hot and cold lines appropriately.



9. Once installation is complete, turn the main water supply back on from underneath your sink. Check for any leaks underneath.



10. Remove the aerator from the spout and turn the faucet on for approximately 60 seconds to allow any dust or loose sediment to exit the water lines. Check for any leaks. Test both hot and cold water to ensure they are running properly. Once complete, reattach the aerator.

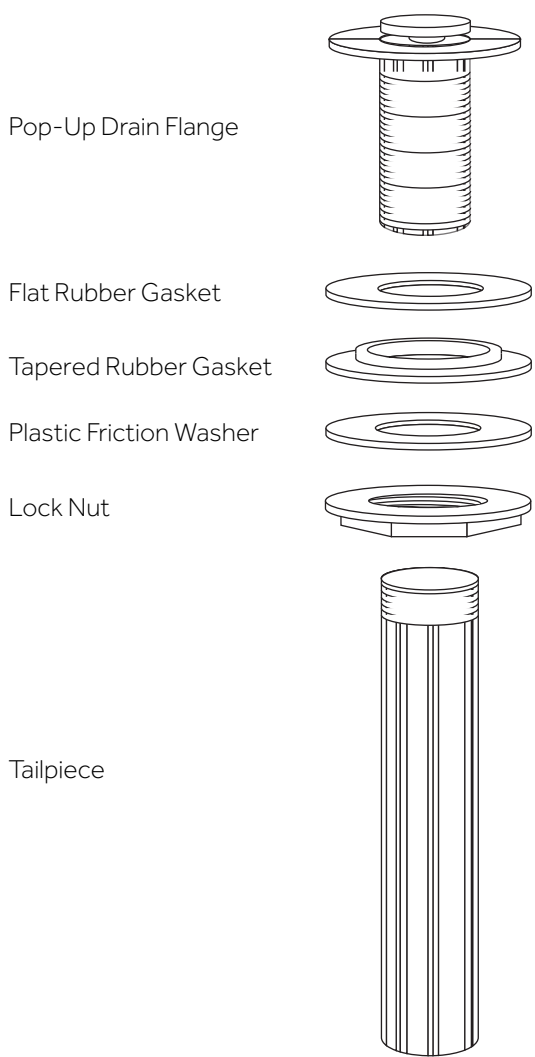




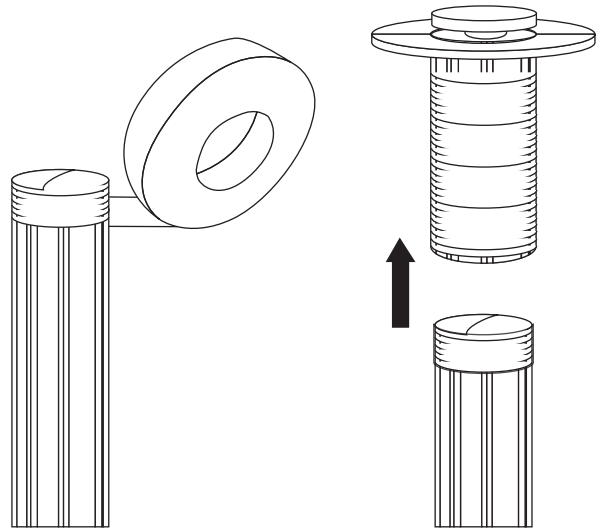
# ENID WIDESPREAD FAUCET INSTALLATION

## DRAIN INSTALLATION

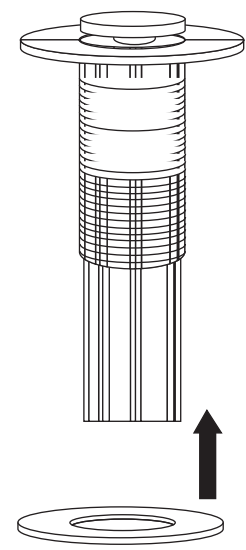
1. Dissassemble the drain assembly and lay the parts aside, in the same order they were removed. See the illustration below as a reference if needed.



2. Apply plumber's tape to the threading on the tailpiece, then reattach the tail piece to the pop-up drain flange.



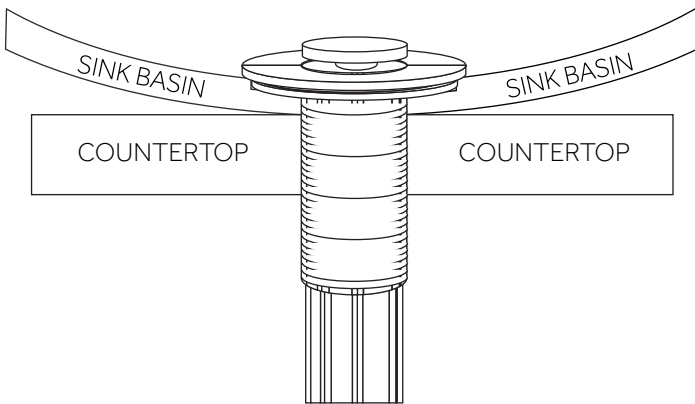
3. Slide the flat rubber gasket up the tailpiece until it meets the lip of the pop-up drain flange.



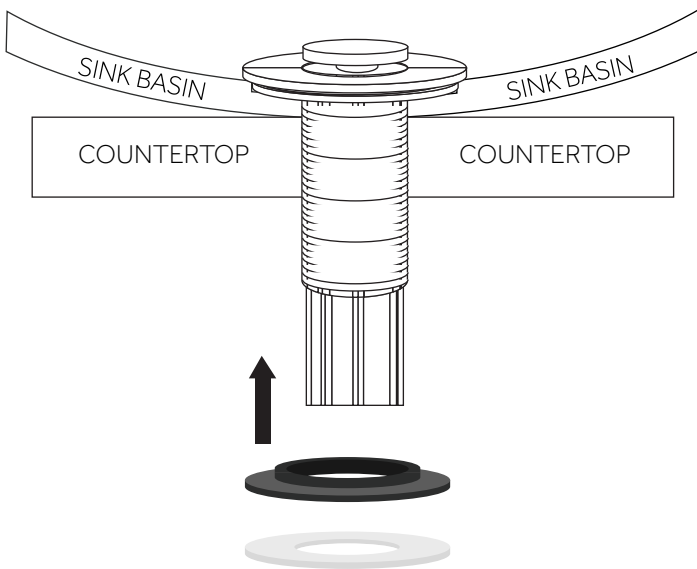


# ENID WIDESPREAD FAUCET INSTALLATION

4. Insert the drain flange and tailpiece through the top of your sink's drain hole.



5. From under your counter, slide the tapered rubber gasket followed by the plastic friction washer onto the tailpiece until they meet your sink or countertop. Be sure that the tapered side of the rubber washer is facing up.



6. Thread the lock nut onto the drain flange. Hand tighten until secure, then finish tightening with a basin wrench once the drain is properly aligned.

**Important:** Be careful not to overtighten, which could crack a porcelain sink or stone countertop.

