



SPECIFICATIONS

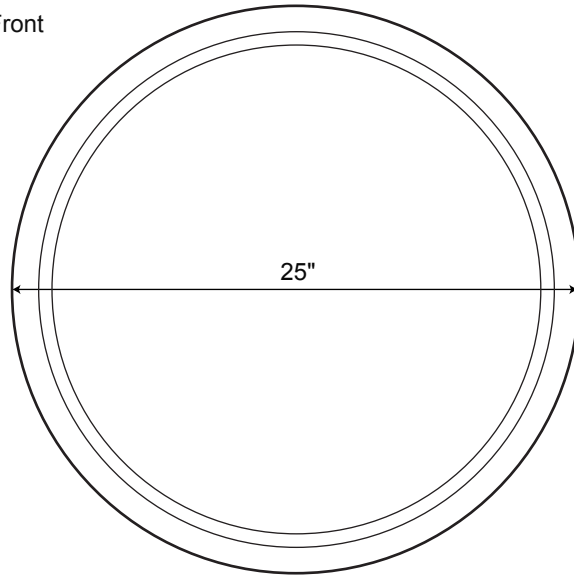
Overall Dimensions	25" diameter x 6" W (front to back)
--------------------	-------------------------------------

All measurements are approximate.

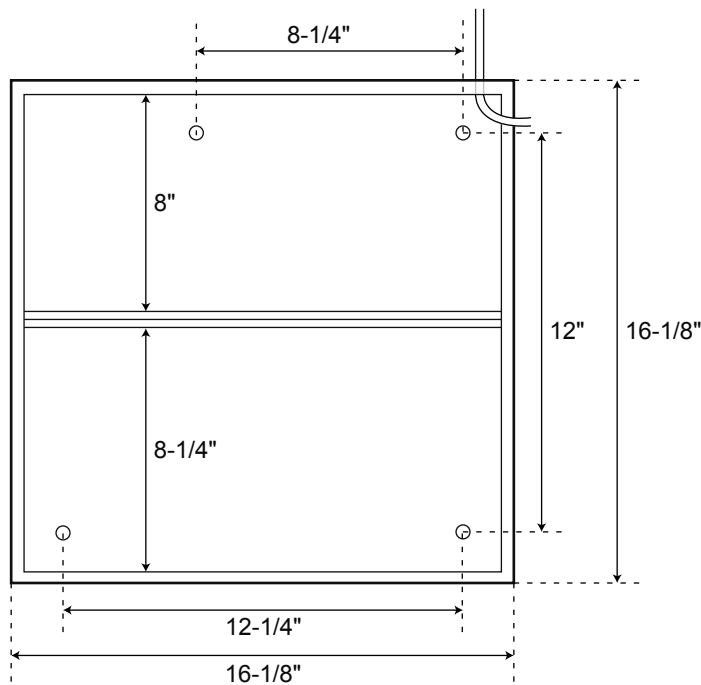
Lucent

Round Stainless Steel Medicine Cabinet with Lighted Mirror

Front



Interior



Side

