

GARBAGE DISPOSAL FLANGE

WITH STOPPER - 3-1/2"

SKU: 900406



FEATURES

- Not Compatible With Fireclay Or Marble Sinks
- Flange Made Of Solid Brass, Except Stainless Steel Which Is Made Of Stainless Steel With A Pvd Finish
- Includes Stopper
- Fits Most Insinkerator Disposals And Continuous Feed Three-bolt Disposers With 3-3/8" I.D.
- Disposer Flange Measures 1-5/8" Deep Overall And Fits Sinks Up To 5/8" Thick
- Disposer Flange Does Not Have Threads

CONTENTS

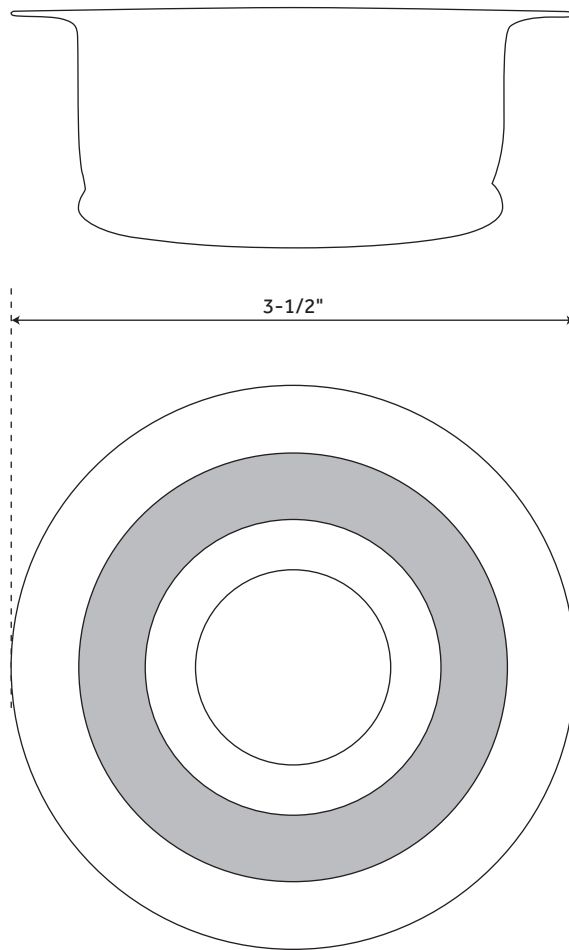
FLANGE PAGE 2

REVISED 03/17/2020

GARBAGE DISPOSAL FLANGE

WITH STOPPER - 3-1/2"

SKU: 900406



FEATURES

Fits Drain Hole Size: 3-1/2"
Maximum Sink Thickness: 5/8"

PRODUCT IMAGE

