

MELTON SINGLE-HOLE WATERFALL FAUCET

SKU: 938542

Code: SH426804, SH426806, SH426802



FEATURES

Installation Type: Single-Hole
Features: Waterfall
Design: Traditional
Length: 2"
Width: 4-7/8"
Height: 7-1/8"
Faucet Centers: Single-Hole
Overflow Hole: true
Fits Drain Hole Size: 1-1/2"
Drain Included: Yes
Faucet Material: Brass
Handle Type: Lever
Handle Length: 3-1/2"
Base Plate Width: 2"
IPS: 3/8"
Flow Rate: 1.2 gpm (gallons per minute)
Kitchen Faucet Holes: 1
Max. Countertop Thickness: 1-1/2"
Height To Spout: 2-1/4"
Spout Reach: 4"
Handle Height: 1-3/4"
Ceramic Disc Cartridges: Yes
Hot and Cold Indicators: No

REVISED 3/17/2023

MELTON SINGLE-HOLE WATERFALL FAUCET

SKU: 938542

Code: SH426804, SH426806, SH426802



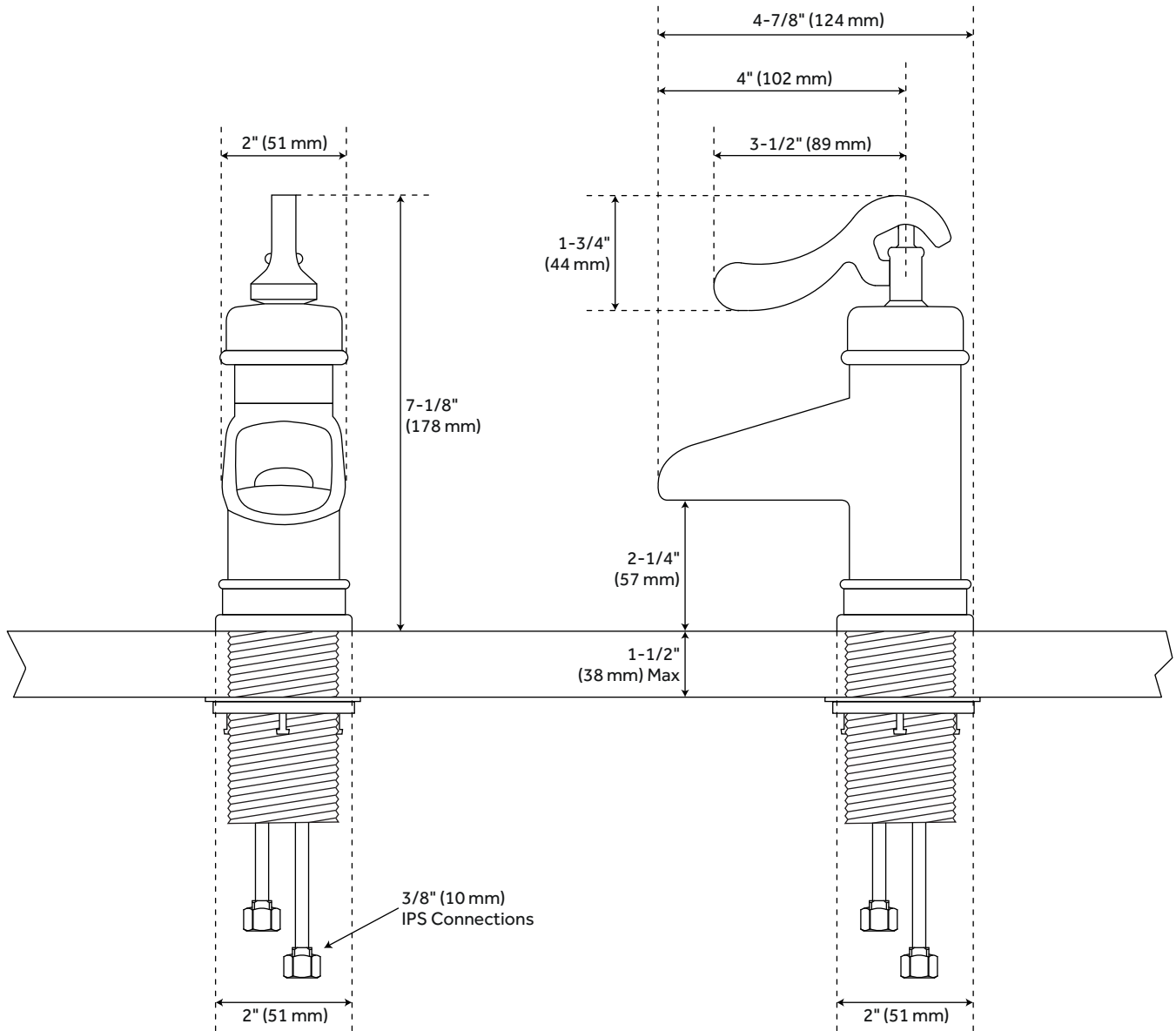
ADDITIONAL FEATURES

- Drain is compatible with sinks that have an overflow hole.

REVISED 3/17/2023

MELTON SINGLE-HOLE WATERFALL FAUCET

SKU: 938542



All dimensions and specifications are nominal and may vary. Use actual products for accuracy in critical situations.