

WALL-MOUNT TELEPHONE FAUCET WITH PORCELAIN CROSS HANDLE AND WALL COUPLERS

SKU: 926865

Code: SH402640, SH418624, SH419231, SH418628, SH402639, SH419233



FEATURES

Material: Metal construction for strength and durability

Installation Type: Wall Mount

Flow Rate: 13.3 gpm (50.4 L/min) @ 80 psi

Hand Shower Flow Rate: 1.8 gpm (6.8 L/min) @ 80 psi

Spray Type: Full

Cartridge Type: Ceramic Disc

Swivel Spout: No

ASME A112.18.1/CSA B125.1, LISTED ID: SH441023*



ADDITIONAL FEATURES

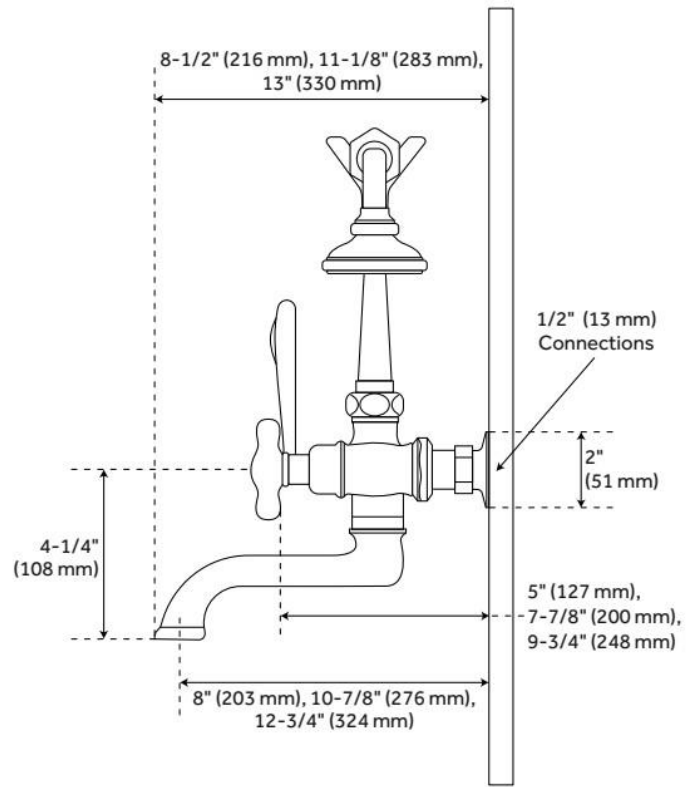
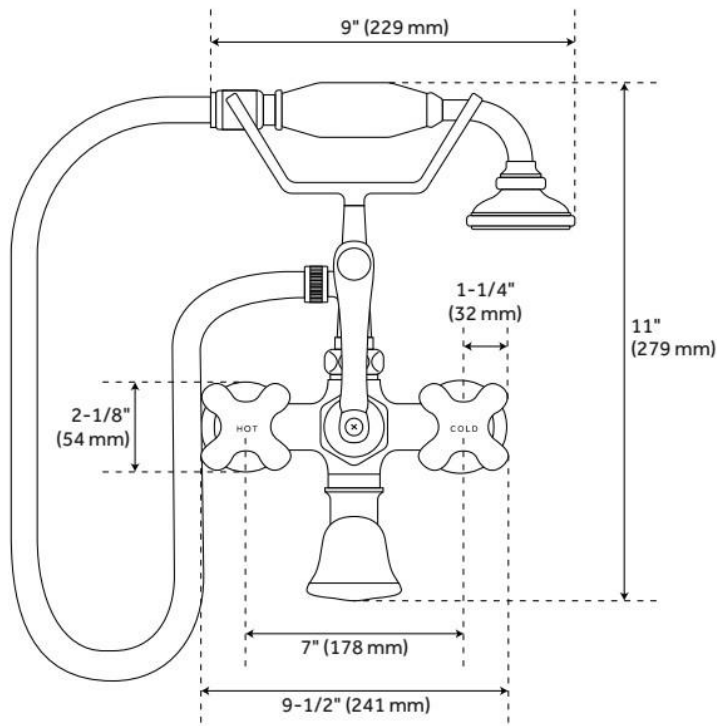
- Wall-mount couplers included.
- 2" wall coupler shown in photography.
- Spout reach with 2" / 4" / 6" couplers: 7-1/2" / 9-1/2" / 11-1/2".

REVISED 5/13/2024

WALL-MOUNT TELEPHONE FAUCET WITH PORCELAIN CROSS HANDLE AND WALL COUPLERS

SKU: 926865

Code: SH402640, SH418624, SH419231, SH418628, SH402639, SH419233



REVISED 5/13/2024

WALL-MOUNT COUPLER - SET OF 2

SKU: 932410

Code: SH195762, SH329446, SH195763, SH196591, SH418107, SH418106, SH418108, SH418109

FEATURES



ASME A112.18.1/CSA B125.1, LISTED ID: SH441023*, SH441005*



ADDITIONAL FEATURES

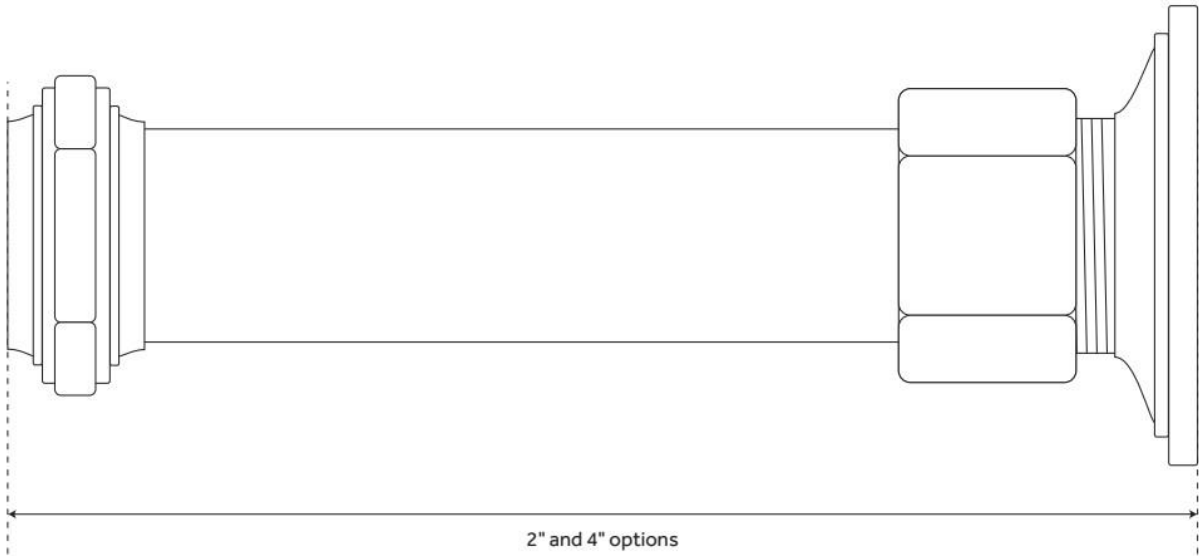
- Couplers for mounting tub faucet to flat wall.
- 1/2" FIP inlets.
- Choose between 2" and 4" coupler extension.
- 2" coupler extends 1-3/4" from finished wall.
- Sold in pairs.

REVISED 5/13/2024

WALL-MOUNT COUPLER - SET OF 2

SKU: 932410

Code: SH195762, SH329446, SH195763, SH196591, SH418107, SH418106, SH418108, SH418109



REVISED 5/13/2024