

BALLANTINE WALL-MOUNT BATHROOM FAUCET - CROSS HANDLES

SKU: 911575
Code: SH449730



FEATURES

Material: Metal construction for strength and durability
Faucet Centers: 8"
Installation Type: Wall Mount
Flow Rate: 1.2 gpm (4.5 L/min) @ 60 psi
Cartridge Type: Ceramic Disc
Swivel Spout: No
Drain Type: Drain not included

ASME A112.18.1/CSA B125.1, NSF/ANSI 372, NSF/ANSI 61, NSF/ANSI/CAN 61, NSF/ANSI/CAN 61-9:Q≤1, CEC Listed, LISTED ID: SH449730*



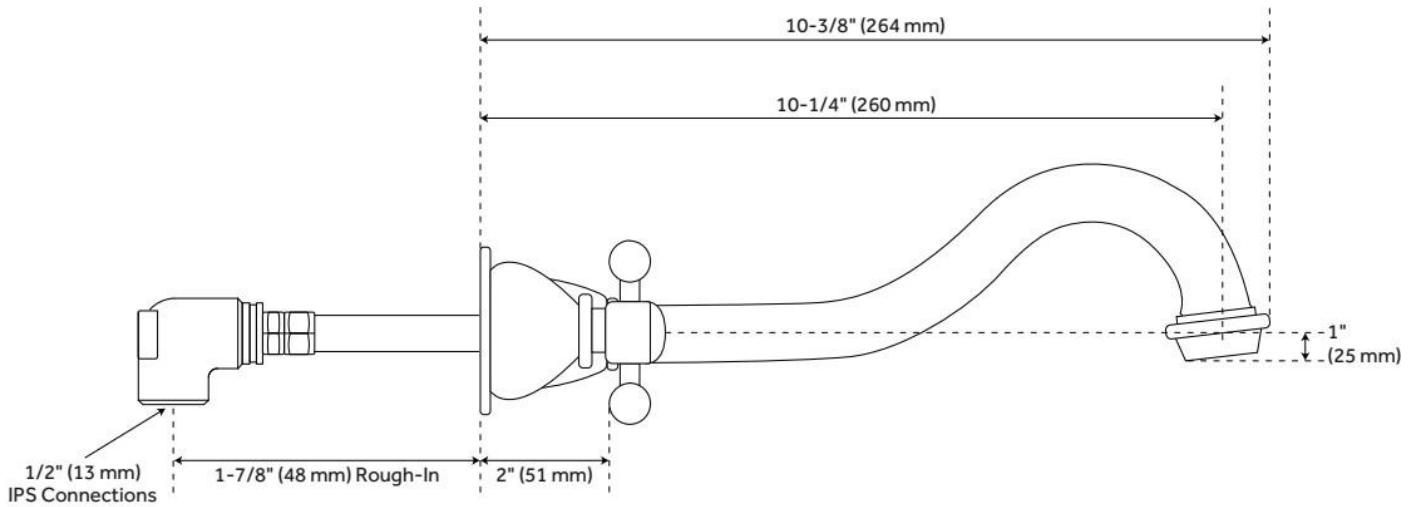
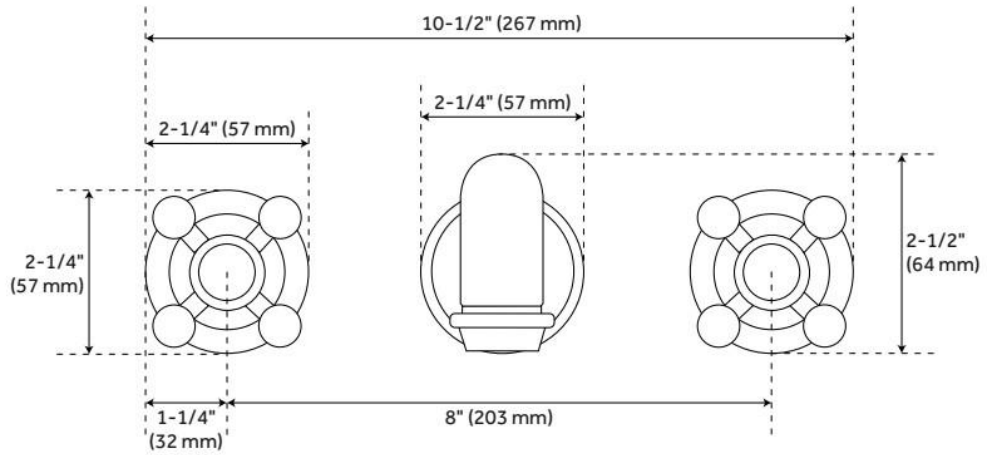
ADDITIONAL FEATURES

- For above-counter lavatories and wall-mount installations.

REVISED 1/20/2025

BALLANTINE WALL-MOUNT BATHROOM FAUCET - CROSS HANDLES

SKU: 911575
Code: SH449730



REVISED 1/20/2025