



# SOUTHGATE KITCHEN FAUCET INSTALLATION

## BEFORE YOU BEGIN

We recommend consulting a professional if you are unfamiliar with installing plumbing fixtures. Signature Hardware accepts no liability for any damage to the faucet, plumbing, sink, counter top, or for personal injury during installation.

Observe all local plumbing and building codes.

Unpack and inspect the faucet for shipping damage. If any damage is found, contact our Customer Relations team at 1-866-855-2284.

## GETTING STARTED

- Ensure that you have gathered all the required materials that are needed for the installation.
- For these instructions, it is assumed that the old faucet has been completely removed and any necessary repairs or modifications to the water supply have been completed.

## TOOLS AND MATERIALS:



Plumbers Tape



Thread Sealant



Phillips Screwdriver



Adjustable Wrench

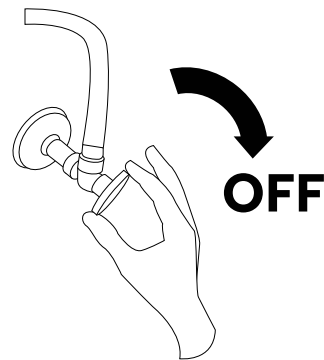


Small Bucket

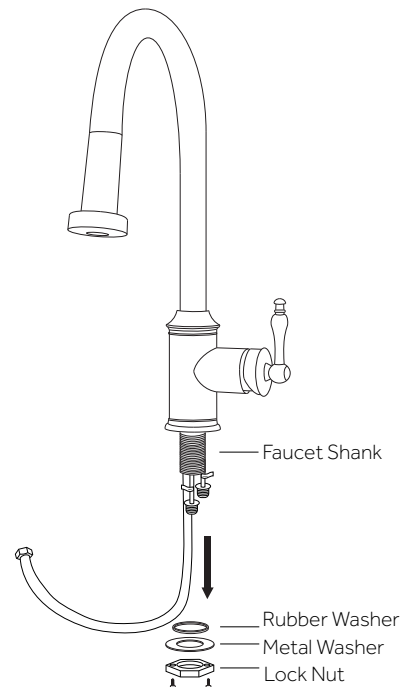
## INSTALLATION

1. Ensure that the water supply below your sink is shut off.

**Tip:** Place a small bucket below your workspace to catch any water that may drip during the installation process.



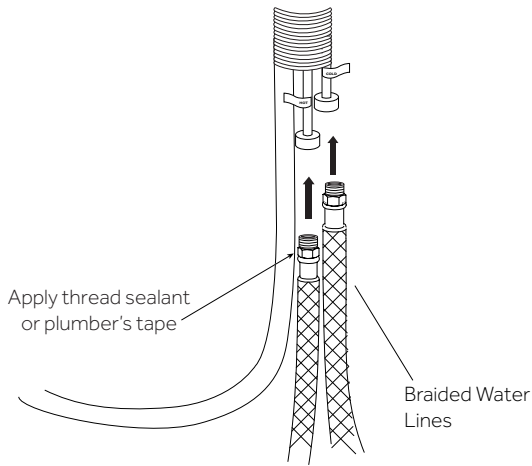
2. Remove the lock nut, metal washer, and rubber washer from the threaded shank.



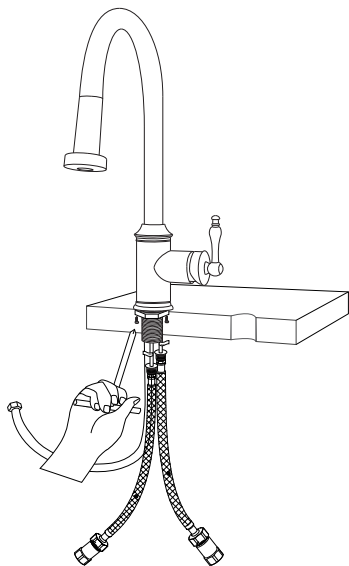


# SOUTHGATE KITCHEN FAUCET INSTALLATION

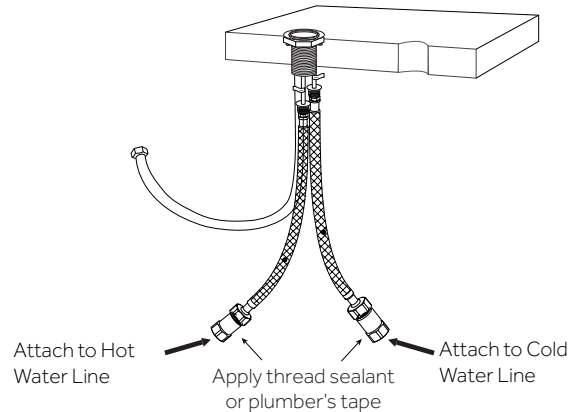
3. If not already attached, attach the provided braided water lines to the faucet. Apply plumber's tape or thread sealant to the threads before tightening. Be very careful not to overtighten.



4. Insert the faucet into its mounting hole. From beneath the counter, slide the rubber washer back onto the faucet body followed by the metal washer. Thread the locknut back onto the faucet body until hand tight. Finish securing by tightening the two screws attached to the lock nut with a Phillip's screwdriver.

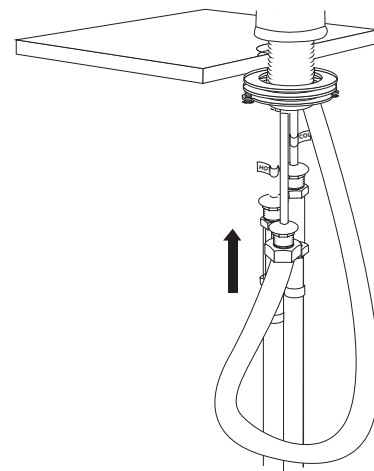


5. Attach the main supply lines to the main water supply. Apply plumber's tape or thread sealant to the threads before tightening. Be very careful not to overtighten.



6. Connect the sprayer hose to its copper supply tube on the faucet. Insert the provided rubber o-ring into the lock nut before tightening. Be very careful not to overtighten..

**Important:** If the o-ring is not inserted, the connection will leak. Ensure that the o-ring is correctly in place.

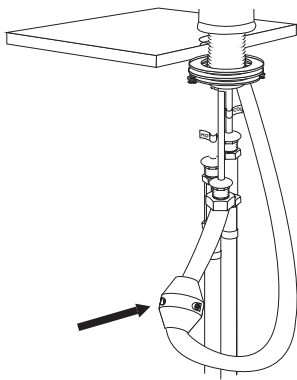




# SOUTHGATE KITCHEN FAUCET INSTALLATION

7. Disassemble the provided hand sprayer hose weight. Position the weight on the hose just before it bends, as shown, and install it at this location.

**Note:** Test to ensure that the hand sprayer sits fully cradled when not in use. Adjust the weight's position as necessary.



8. Once installation is complete, turn the main water supply back on from underneath your sink. Check for any leaks underneath.



9. Remove the spray nozzle from the faucet, and turn the faucet on for approximately 60 seconds to remove any dust or loose sediment within the water lines. Check for any leaks. Ensure that both hot and cold water are functioning properly. Reattach the spray nozzle once testing is complete.

