

COOPER SINGLE-HOLE BATHROOM FAUCET

SKU: 940974

Code: SH433247, SH433248, SH433249



FEATURES

Material: Metal construction for strength and durability

Installation Type: Single-Hole

Flow Rate: 1.2 gpm (4.5 L/min) @ 60 psi

Cartridge Type: Ceramic Disc

Swivel Spout: No

Drain Type: Metal push-pop with overflow

ASME A112.18.1/CSA B125.1, NSF/ANSI 372, NSF/ANSI 61, NSF/ANSI/CAN 61, LISTED ID: SH439073BN, SH439073PN, SH439073BG, SH439072BN, SH439072CP, SH439072ORB, SH439072PN, SH439072PB, SH439072BG, SH439072MB



ADDITIONAL FEATURES

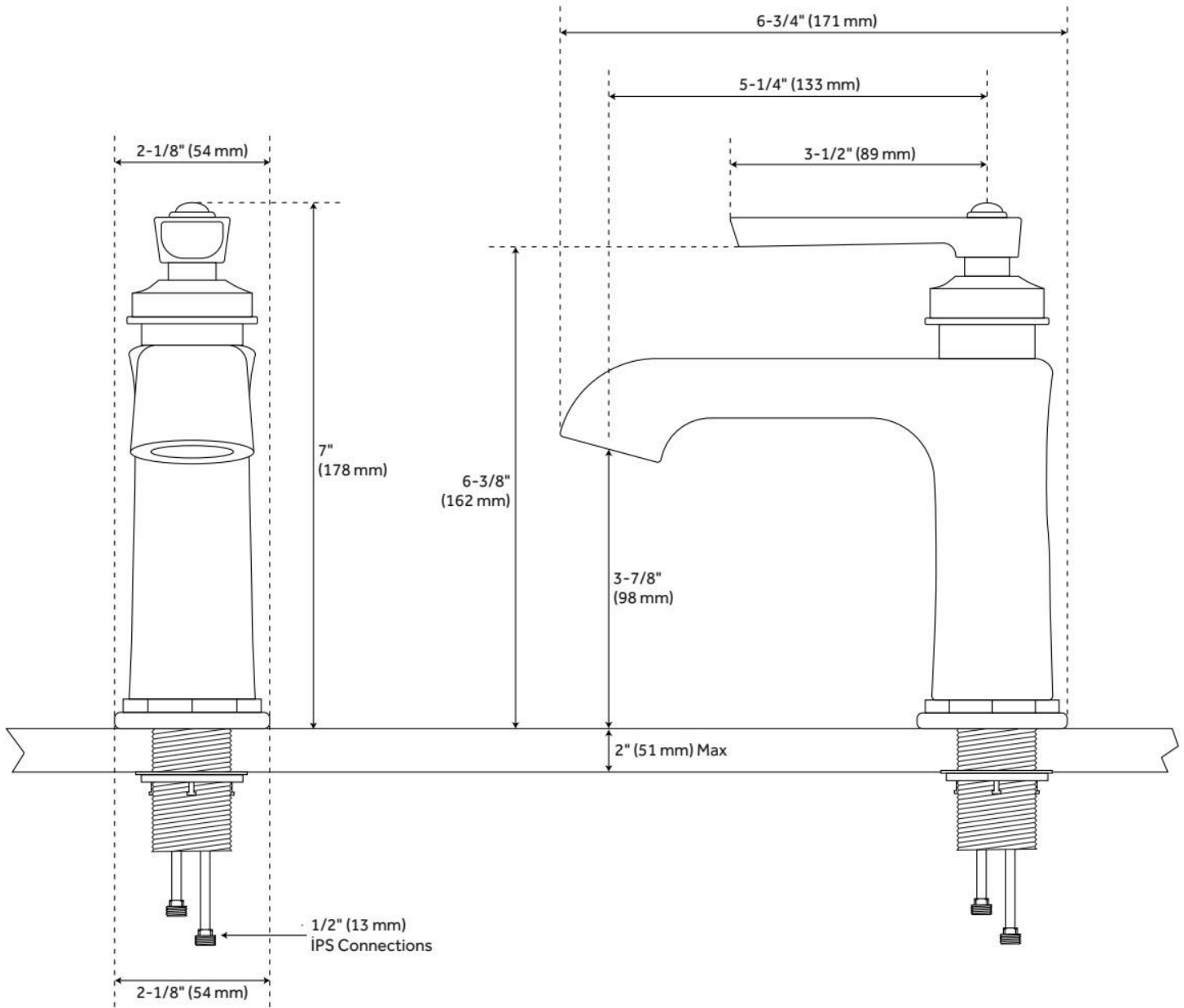
- Drain is compatible with sinks that have an overflow hole.

REVISED 5/15/2024

COOPER SINGLE-HOLE BATHROOM FAUCET

SKU: 940974

Code: SH433247, SH433248, SH433249

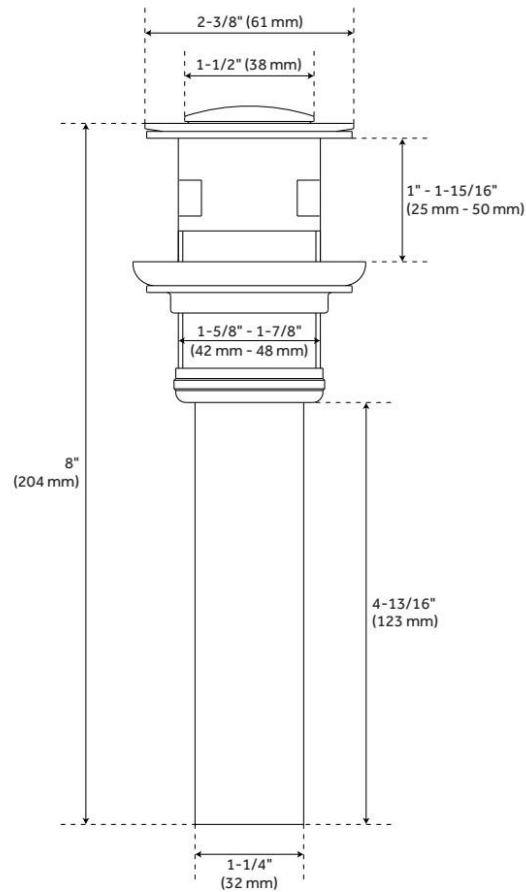


REVISED 5/15/2024

COOPER SINGLE-HOLE BATHROOM FAUCET

SKU: 940974

Code: SH433247, SH433248, SH433249



REVISED 5/15/2024