

COOPER SINGLE-HOLE BATHROOM FAUCET

SKU: 940974

Code: SH433247, SH433248, SH433249



NSF/ANSI 372
NSF/ANSI 61
NSF/ANSI/CAN 61

FEATURES

Installation Type: Single-Hole
Design: Modern
Material: Metal
Length: 2-1/8"
Width: 6-3/4"
Height: 7"
Base Plate Length: 2-1/8"
Assembly Required: Yes
Faucet Centers: Single-Hole
Overflow Hole: Yes
Fits Drain Hole Size: 1-1/2"
Drain Included: Yes
Faucet Material: Brass
Handle Type: Lever
Handle Length: 3-1/2"
Base Plate Width: 2-1/8"
IPS: 1/2"
Flow Rate: 1.2 gpm (4.5L/min) @ 60 psi
Max. Countertop Thickness: 2"
Height To Spout: 3-7/8"
Spout Reach: 5-1/4"
Handle Height: 6-3/8"
Ceramic Disc Cartridges: Yes
Hot and Cold Indicators: Yes
Handle Material: Metal

REVISED 2/16/2024

COOPER SINGLE-HOLE BATHROOM FAUCET

SKU: 940974

Code: SH433247, SH433248, SH433249

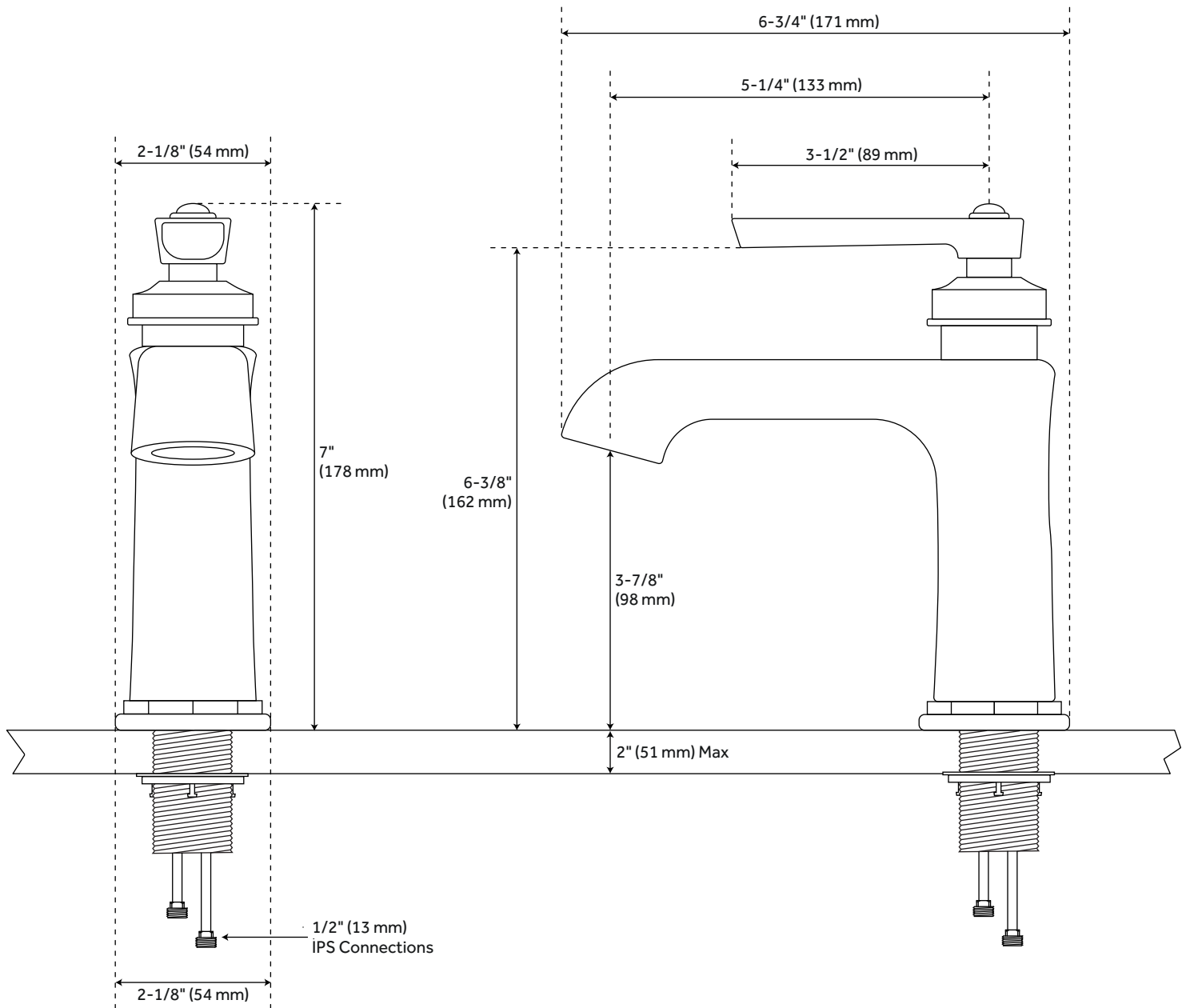


ADDITIONAL FEATURES

- Drain is compatible with sinks that have an overflow hole.

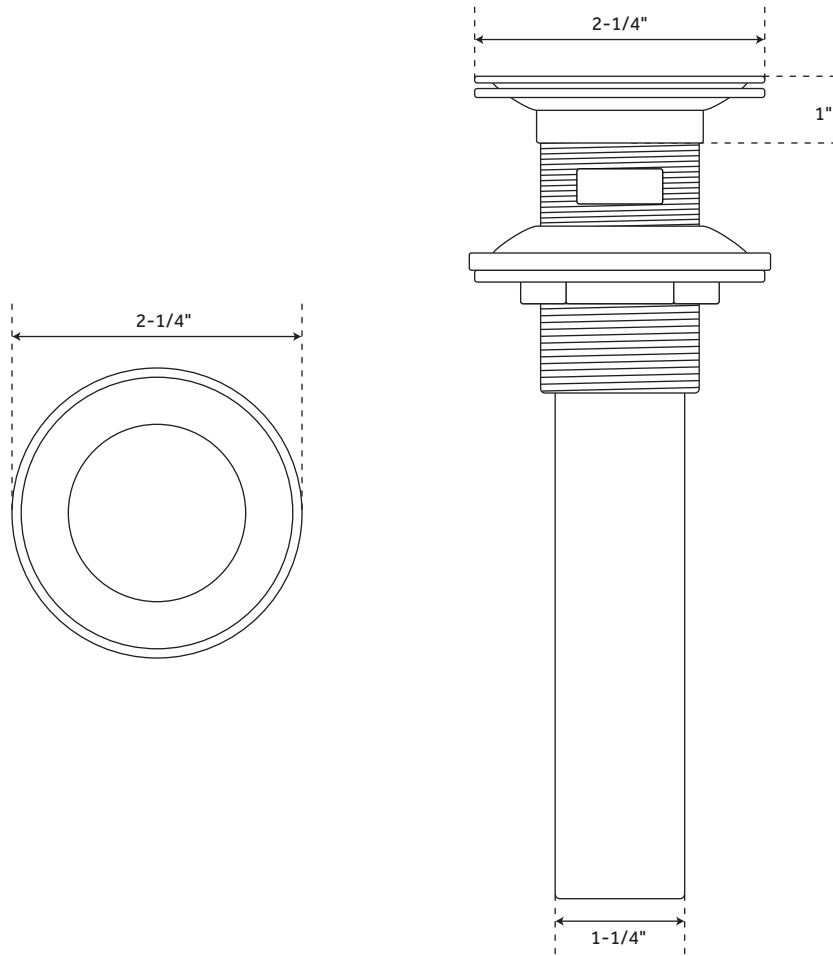
REVISED 2/16/2024

COOPER SINGLE-HOLE BATHROOM FAUCET



All dimensions and specifications are nominal and may vary. Use actual products for accuracy in critical situations.

POP-UP DRAIN WITH OVERFLOW



All dimensions and specifications are nominal and may vary. Use actual products for accuracy in critical situations.