

DELILAH DECK-MOUNT BRIDGE FAUCET WITH SIDE SPRAY - LEVER HANDLES

SKU: 906110

Code: SH214885, SH214888, SH214887



FEATURES

Material: Metal construction for strength and durability

Installation Type: Bridge

Flow Rate: 1.8 gpm (6.8 L/min) @ 60 psi

Cartridge Type: Ceramic Disc

Swivel Spout: Yes

ASME A112.18.1/CSA B125.1, NSF/ANSI 61, NSF/ANSI/CAN 61, Massachusetts Accepted, LISTED ID: 214885, 214888, SH349719*



ADDITIONAL FEATURES

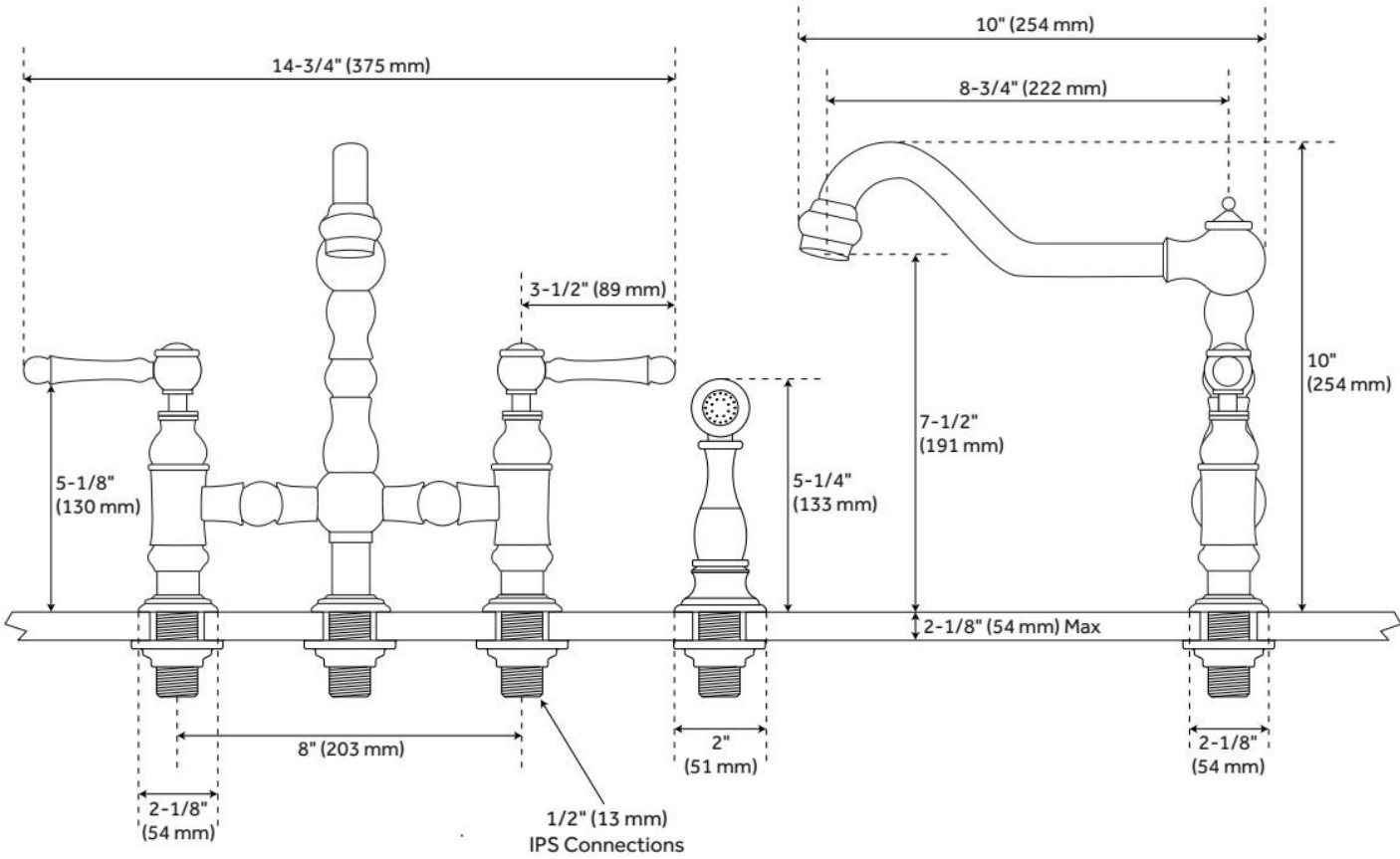
- Made of high quality materials.
- Metal lever handles with porcelain "HOT" and "COLD" buttons.
- Ceramic disc cartridges.
- Includes side spray.
- Four-hole installation.
- Side spray measures: 2" L x 2-1/4" W x 5-1/4" H.

REVISED 5/10/2024

DELILAH DECK-MOUNT BRIDGE FAUCET WITH SIDE SPRAY - LEVER HANDLES

SKU: 906110

Code: SH214885, SH214888, SH214887



REVISED 5/10/2024