



# TOILET INSTALLATION INSTRUCTIONS

## BEFORE INSTALLING

Read entire Toilet Installation Instructions.  
Observe all local building and safety codes.

## INSTRUCTIONS

For the following installation instructions for your new toilet it is assumed that any old fixtures have been removed and any repairs to the water supply and/or toilet flange have been completed.

Unpack and inspect the product for any shipping damages. If you find damages, do not install. Contact Customer Service at 1-866-855-2284. If you need assistance or have questions while installing your toilet, contact Customer Service.

We recommend consulting a professional if you are unfamiliar with installing bathroom fixtures. Signature Hardware accepts no liability for any damage to the floor, walls, plumbing or for personal injury during installation.

Shut off the water supply lines where the new toilet is being installed.

## TOOLS AND MATERIALS:



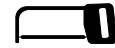
Level



Wood Shims



Adjustable Wrench



Hacksaw



Latex Caulk



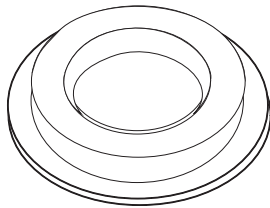
Wax Ring



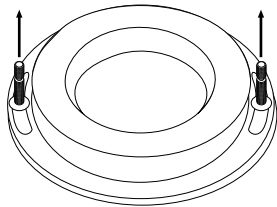
# TOILET INSTALLATION INSTRUCTIONS

## INSTALLATION

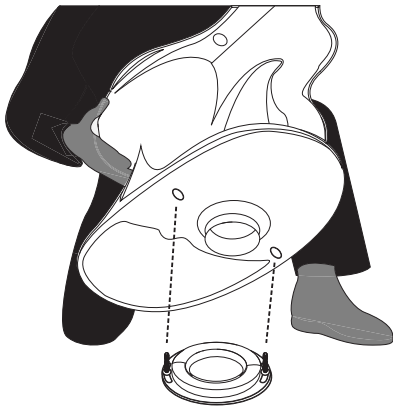
1. Press the new wax ring into place on the toilet flange on the floor with the flat side down and the tapered edge up. Apply enough pressure to hold the ring in place during installation but be careful not to press it out of shape.



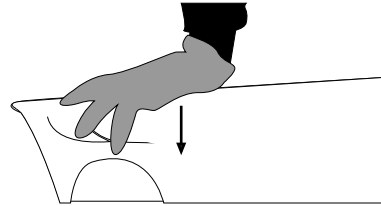
2. Install the anchor bolts through the toilet flange. The anchor bolts should be pointing upwards so that when the toilet is placed the bolts will project through the mounting holes on the base of the toilet.



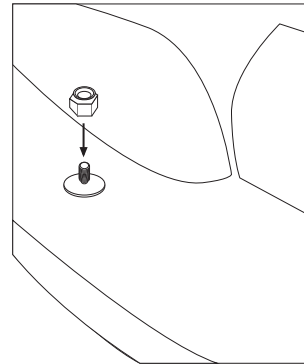
3. When the wax ring and bolts are attached, lift the toilet and align the mounting holes with the anchor bolts on the floor for proper placement.



4. Set the toilet down on the floor and press in place to form a tight seal with the wax ring. Do not move the toilet after placement, this could break the watertight seal and cause leakage.

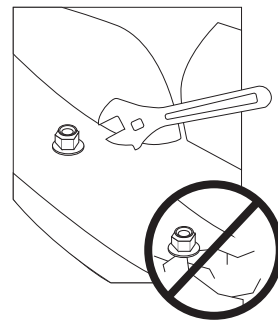


5. Thread the washers and nuts onto the anchor bolts.



**Tip:** Before tightening washers and nuts, verify that your toilet is level. If the toilet is not level place a shim under the base of the toilet and adjust as necessary.

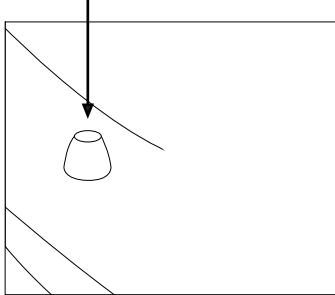
6. When toilet is properly aligned, finish tightening the washers and nuts onto the anchor bolts with your adjustable wrench. Do this gradually, alternating from one bolt to the other until both are tight. Be sure not to overtighten as this could cause cracks and damage the base of your toilet.





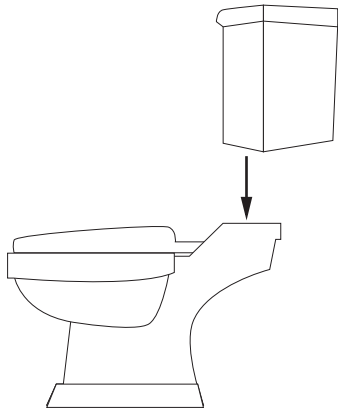
## TOILET INSTALLATION INSTRUCTIONS

7. Place bolt caps over the anchor bolts on the base of the toilet.



**Tip:** If the anchor bolts extend too far over the top of the washers and nuts, use a hacksaw to trim to the correct length.

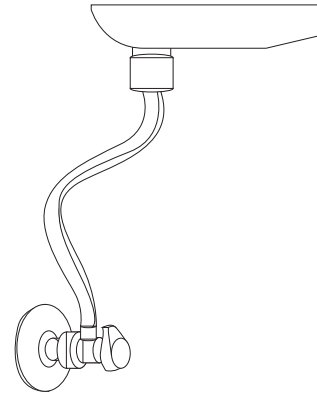
8. If you are installing a two piece toilet, slide the tank bolts through the mounting holes on the top of the base of the toilet. If your toilet has only one piece, move on to step 9.



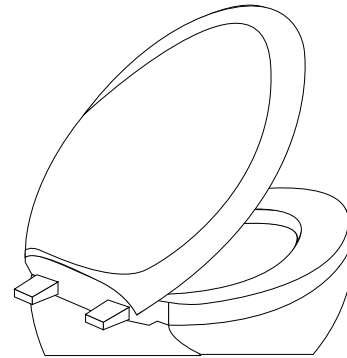
9. Thread washers and nuts onto the tank bolts. Verify that the tank is level and alternately tighten the washers and nuts until the tank is resting firmly on the bowl.



10. Connect the water supply tubes at the bottom of the tank. Turn on the water supply and flush the toilet several times to check for any leaks around the back or base.



11. Attach the toilet seat.



12. Finish your installation by applying latex caulk or tile grout around the base of the toilet. This will finish the joint between your floor and toilet bowl and divert water away from the base of the toilet.

