

COOPER PRESSURE BALANCED SHOWER VALVE WITH DIVERTER

SKU: 940964

Code: SH433218, SH433219, SH433220



FEATURES

Features: Pressure-Balanced
Material: Brass
Width: 6-5/8"
Height: 7-7/8"
Depth: 4-1/4"
Base Plate Height: 6-5/8"
Mounting Hardware Included: Yes
Handle Type: Lever
Installation Type: Wall Mount
Number of Outlets: 2
Base Plate Width: 6-5/8"
Valve Trim Width: 6-5/8"
Valve Trim Height: 6-5/8"
Water Supplies Included: No
Diverter Included: Yes
Diverter Outlets: 2

ASME A112.18.1/CSA B125.1

REVISED 3/17/2023

COOPER PRESSURE BALANCED SHOWER VALVE WITH DIVERTER

SKU: 940964

Code: SH433218, SH433219, SH433220

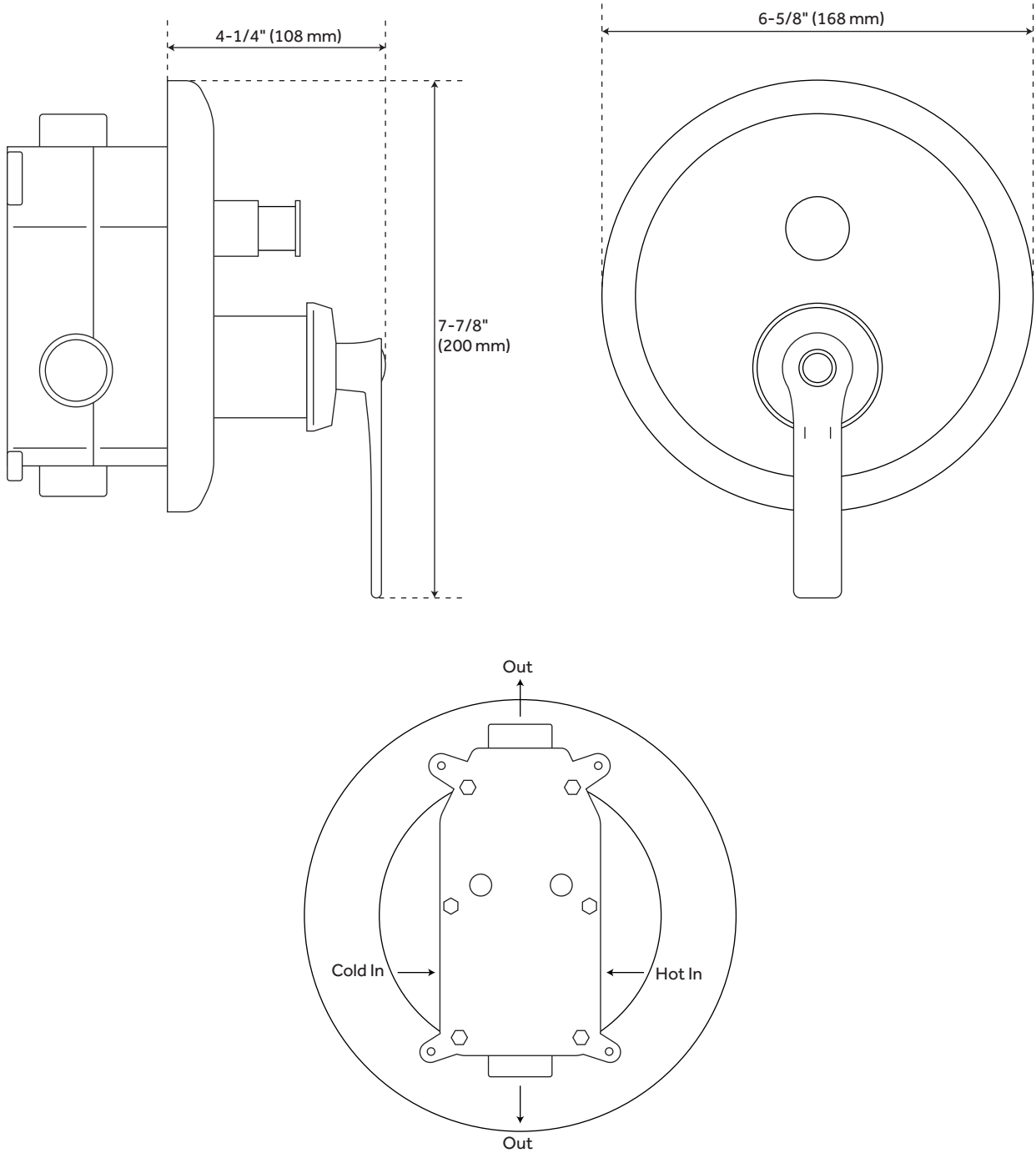


ADDITIONAL FEATURES

REVISED 3/17/2023

COOPER PRESSURE BALANCED SHOWER VALVE WITH DIVERTER

SKU: 940964



All dimensions and specifications are nominal and may vary. Use actual products for accuracy in critical situations.