

FREESTANDING TUB FAUCET

SKU: 934423

BEFORE YOU BEGIN

We recommend consulting a professional if you are unfamiliar with installing bathroom fixtures and plumbing. Signature Hardware accepts no liability for any damage to the floor, walls, plumbing, or personal injury during installation.

Observe all local plumbing building codes prior to installation.

Unpack and inspect the tub for damage. If any damage is found, contact our Customer Relations team at 1-855-715-1800.

GETTING STARTED

- Ensure that you have gathered all of the required materials that are needed for the installation.
- Shut off the water supply lines where the new faucet is being installed.

PLANNING

Use the faucet's PDF specification sheet as a reference when planning your layout. The specification sheet can be found and downloaded from the product page on our website.

Because the faucet specification measurements are approximate and slight variations may occur, we highly recommend performing any rough-in procedures with the faucet on site.

TOOLS AND MATERIALS:



Pliers



Tape Measure



Hex Wrench



Utility Knife



Thread Sealant



Plumber's Tape



Adjustable Wrench



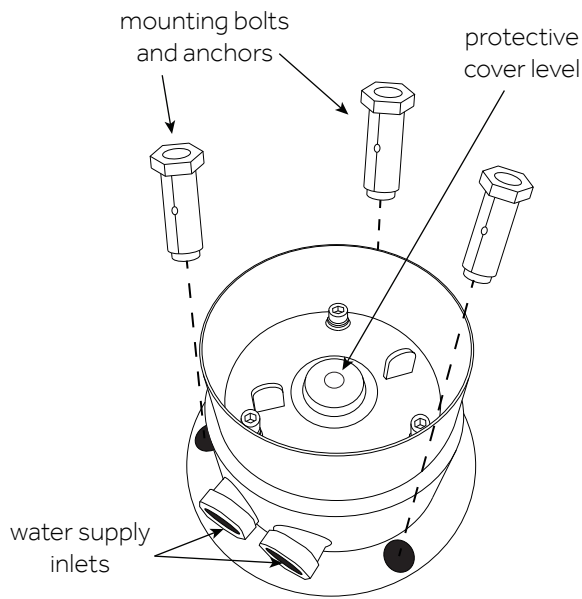
Neutral Cure Silicone Sealant

For Warranty information, please visit: signaturehardware.com/services/warranty

REVISED 09/25/2020
CODES: 521449, 447469, 521450
447470, 521451, 447471

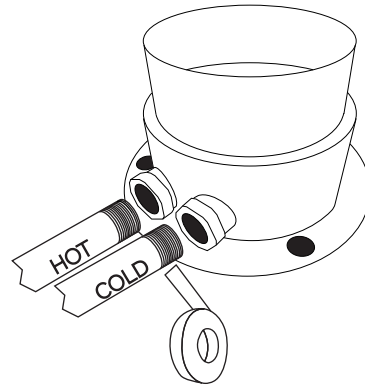
INSTALLATION

1. Install the rough-in valve beneath the finished floor using the provided bolts and anchors. Ensure the rough-in valve is level using the level located on the protective cover.

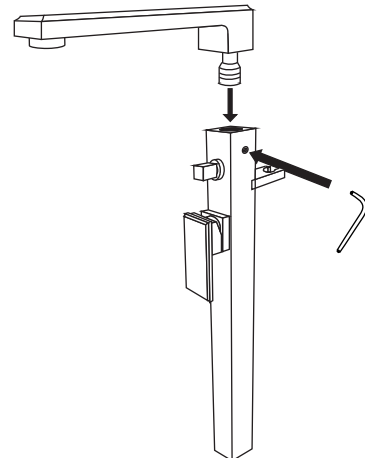


2. Test your water pressure to ensure there is no leakage before continuing installation. We recommend consulting a plumbing professional if you are unfamiliar with water pressure testing.

3. Connect the hot and cold water supply lines to your rough-in valve. Apply thread sealant or plumber's tape to the threaded connection to create a water-tight seal. Note: Before continuing, conduct a leak test. Turn on the hot and cold supplies and observe the inlet connections for leaks. The valve is sealed and will not allow water to flow until the faucet body is installed. Turn off the water supplies when finished.



4. Attach the faucet spout to the faucet body. Note: Make sure the O rings are seated properly on the inlet first. Push the faucet spout straight down into the faucet body to prevent damage to the O rings. Use the provided set screw and hex wrench to tighten the connection. Insert the decorative set-screw cover provided to conceal the screw.

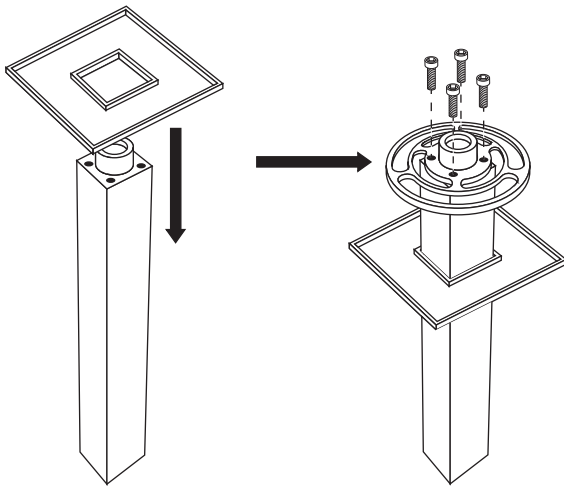


RYLE

FREESTANDING TUB FAUCET

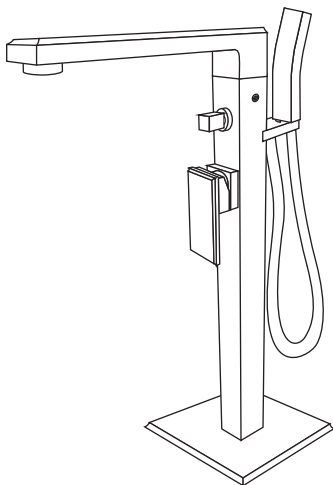
SKU: 934423

5. Slide the decorative base plate onto the faucet body. Attach the mounting plate to the bottom of the faucet body using the provided screws.

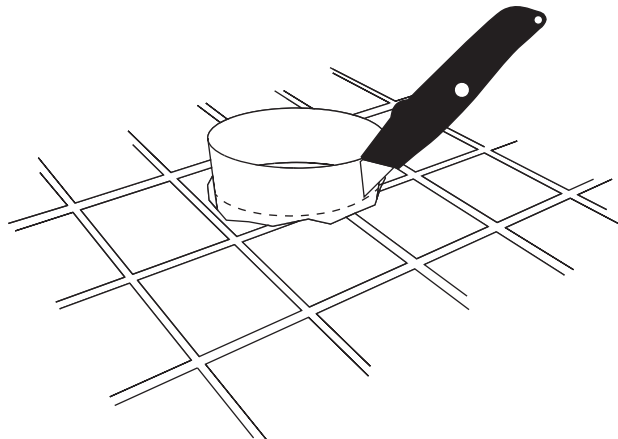


6. Attach the hand shower to the faucet body using the provided hand shower hose. Apply a small amount of thread sealant or plumber's tape to each threaded connection to prevent leaking.

Important: If your finished floor is installed, move on to step 7. If your finished floor is not yet completed, wait until your floor is complete to move on.

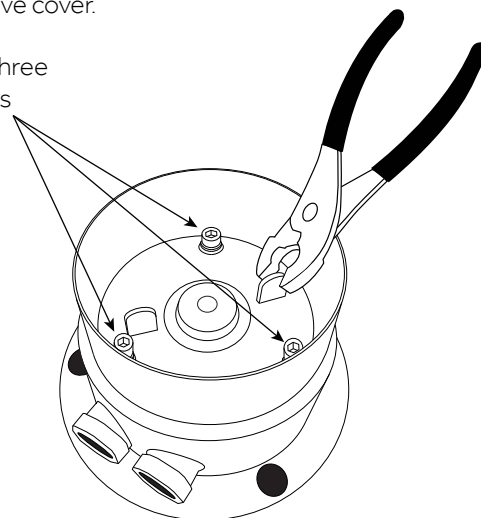


7. Use a utility knife to trim away any excess plastic from the rough-in valve above your finished floor.



8. Use a hex wrench to remove the protective cover from inside the rough-in valve by removing the three screws holding it in place. Do not discard the screws, which will be used in step 9. Use a pair of pliers to twist and pull the protective cover from the valve. Discard the protective cover.

remove three screws

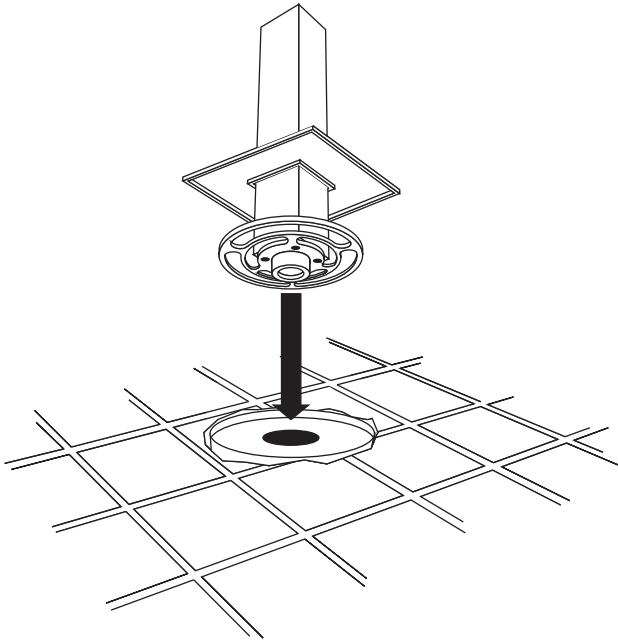


FREESTANDING TUB FAUCET

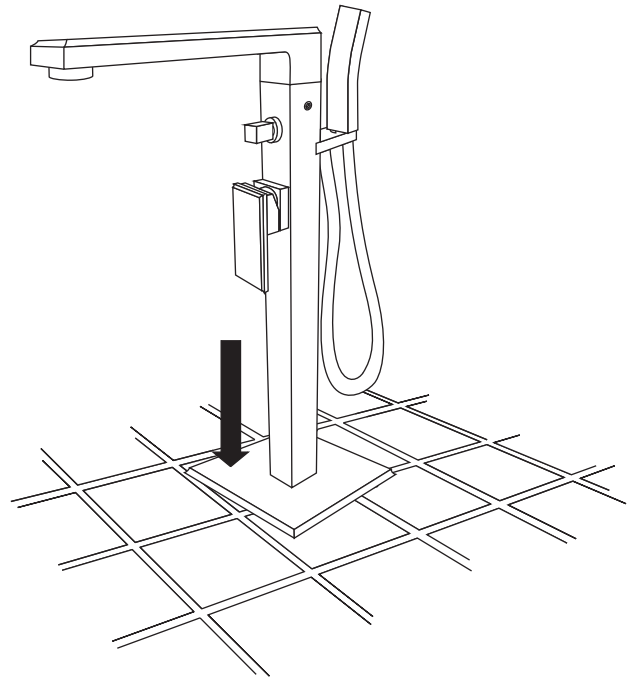
SKU: 934423

9. Attach the faucet body to the rough-in valve by setting it into the valve.

Note: Make sure the O rings are seated properly on the inlet first. Push the faucet body straight down into the rough-in valve to prevent damage to the O rings. Use the screws that were removed in step 8 to secure the faucet to the valve. Thread the screws through the mounting plate and tighten with a hex wrench to secure.



10. Turn on the water supplies and check for leaks around the top and bottom of the faucet body. If everything is dry, slide the decorative baseplate down the faucet body to meet the floor, covering the rough-in location. If desired, use 100% neutral cure silicone to secure the baseplate to the floor. Wipe away any excess silicone using a damp cloth.



RYLE

FREESTANDING TUB FAUCET

SKU: 934423

11. Remove the aerator from the faucet spout using the provided removal tool. Turn the faucet on and allow it to run for approximately five minutes. This will clear any loose sediment and dust from the water lines. Test the hand shower to ensure it is functioning properly. Check all connections for leaks. Turn the faucet off and reattach the aerator once complete.

