



# EXIRA THERMOSTATIC SHOWER SET INSTALLATION

## BEFORE YOU BEGIN

We recommend consulting a professional if you are unfamiliar with installing plumbing fixtures. Signature Hardware accepts no liability for any damage to the plumbing, floor, walls, tub, or for personal injury during installation.

Observe all local plumbing and building codes.

Unpack and inspect the item for shipping damage. If any damage is found, contact our Customer Relations team at 1-866-855-2284.

---

## GETTING STARTED

- Ensure that you have gathered all the required materials that are needed for the installation.
- For the following installation instructions, it is assumed that the wall has been opened and that the existing shower set has been removed.
- Before you begin, the main water supply to your home should be shut off.

## TOOLS AND MATERIALS:



Plumbers  
Tape



Tape Measure



Phillips  
Screwdriver



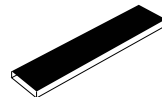
Adjustable  
Wrench



Drill



Hex Wrench



Wood Blocking



Soldering Kit  
(for copper pipe)



1/2" Test Plug



Level



Pencil or  
Marker

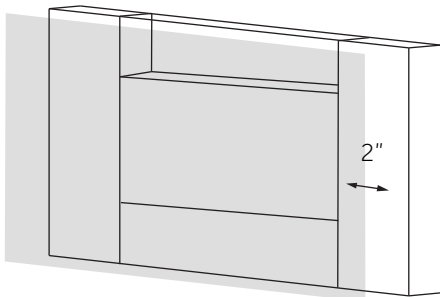


# EXIRA THERMOSTATIC SHOWER SET INSTALLATION

## Step 1: Valve Installation

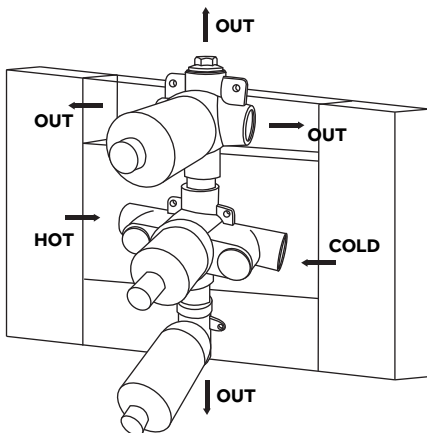
1. To prepare for installation, wood blocking should be installed between the two studs where the valve will mount. The wood blocking will need to be installed 2"-2 1/2" behind the finished wall.

**Important:** Take into consideration the thickness of the finished wall materials, such as tile, when calculating measurements.



2. Secure the valve to the prepared wood blocking using the provided hardware. Ensure that the "cold" inlet is pointing right, and the "hot" inlet is pointing left. Use a level to ensure that the valve is straight and level.

**Tip:** Leave the protective sleeves on the valve stems until your finished wall is complete, and you are ready to install the trim pieces.



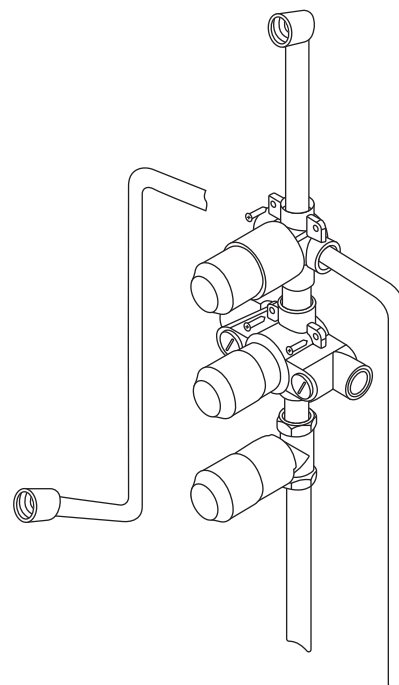
3. Route, assemble, and connect all in-wall piping as desired to and from the shower valve. Make all connections appropriately depending upon the type of pipe that is being used. For copper pipe, soldering will be required and should be completed by a licensed plumber. Apply plumber's tape to any threaded connections if applicable. Install any wood blocking that is necessary to support the piping and valve.

### Important Notes:

A) The valve has a single function outlet on the bottom, and single function outlet on the bottom

B) The piping for the shower head should be routed to the top outlet. Route the hand shower piping to the bottom outlet.

C) Female fittings will need to be placed where the shower arm and the hand shower's water supply elbow will be installed. The fittings should sit no more than 1/4" behind the finished wall.

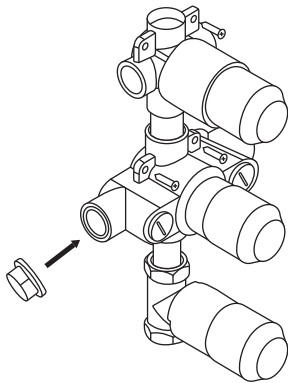




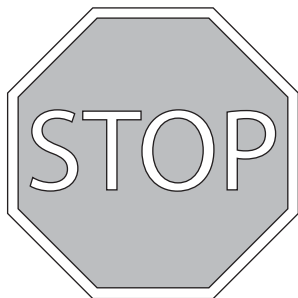
# EXIRA THERMOSTATIC SHOWER SET INSTALLATION

4. Once all piping is routed and connections have been made, use a 1/2" test plug to perform a water pressure test. Turn on the main water supply to your home and water test the installed plumbing. Ensure that there are no leaks, then shut the water off. Remove the test plug.

**Note:** Water pressure testing should be performed by a licensed plumber if you are not familiar with this procedure.

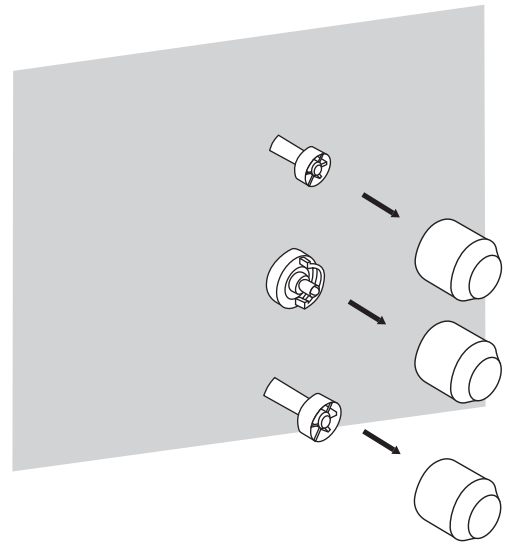


**IMPORTANT: COMPLETE THE CONSTRUCTION OF YOUR WALL, INCLUDING ANY FINISHED WALL MATERIALS SUCH AS TILE, BEFORE PROCEEDING WITH THE REMAINDER OF THE INSTALLATION.**

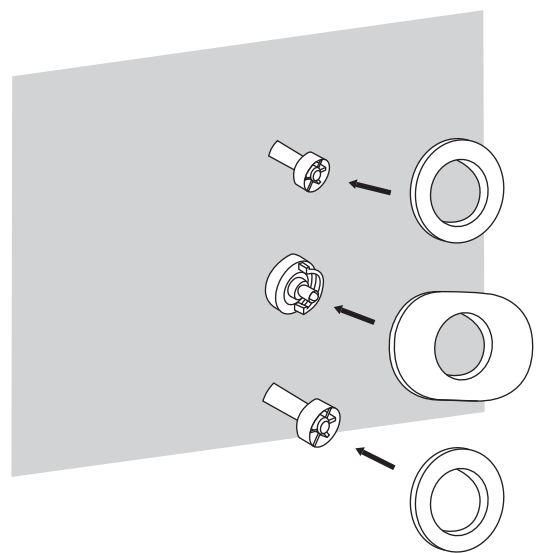


## Step 2: Trim Installation

1. Once the finished wall is complete, remove the protective sleeves from the valve stems. If the test plug has not yet been removed, remove that as well.



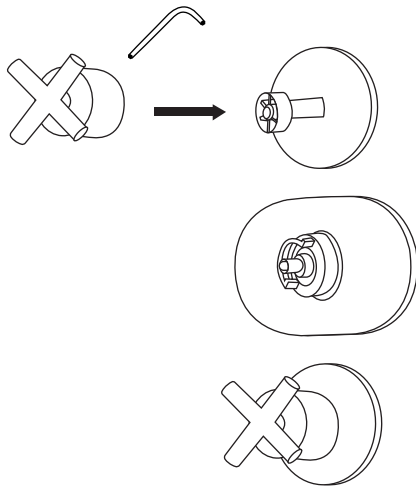
2. Slide each of the decorative back plates onto the valve stems. Ensure that the markings located above each opening on the back plates are facing up.



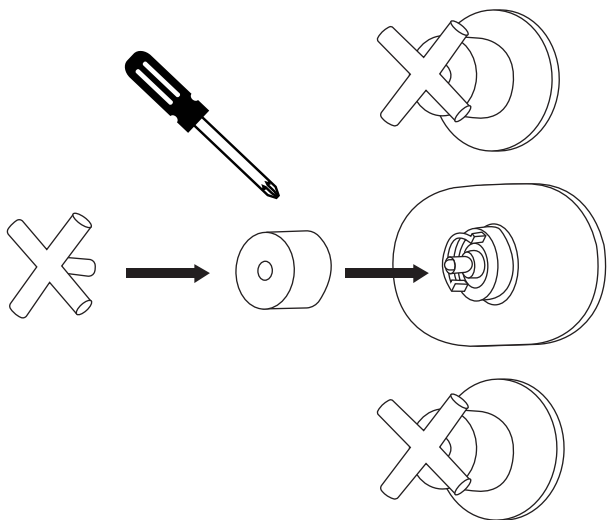


# EXIRA THERMOSTATIC SHOWER SET INSTALLATION

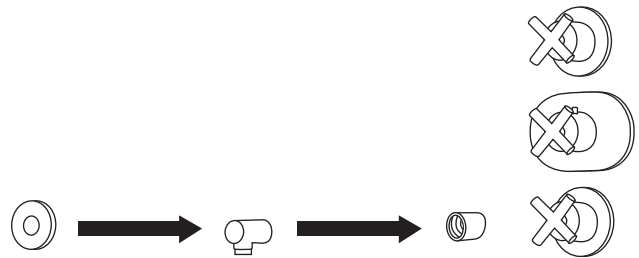
3. Slide the upper and lower knobs onto their spindles. Tighten the knobs using the provided hex wrench to secure.



4. To install the temperature control knob, loosen the set screw and remove the handle from the knob base. Attach the knob to the center stem using the provided screw. Tighten with a Phillip's screwdriver, then reattach the handle.

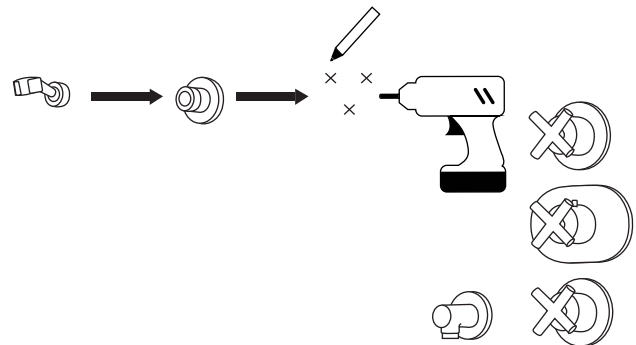


5. To install the hand shower's water supply elbow, thread it onto its prepared female fitting. Apply thread sealant or plumber's tape to the threads before tightening. Use the decorative escutcheon to conceal the rough-in.



6. Determine a location to mount the hand shower's cradle. Unthread the decorative escutcheon to expose the mounting holes. Mark the location of the mounting holes on the wall. Drill pilot holes at the marked locations, and insert the provided anchors into the wall. Use the provided screws to secure the cradle to the wall. Thread the decorative escutcheon back onto the base to conceal the mounting hardware.

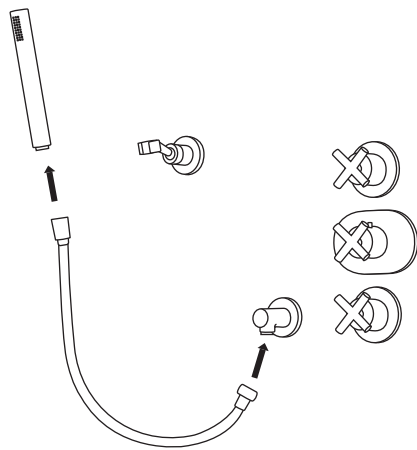
**Important:** If drilling through tile, you must use a masonry drill bit and drill carefully.



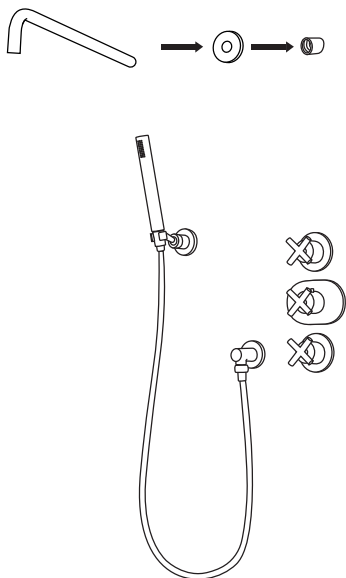


# EXIRA THERMOSTATIC SHOWER SET INSTALLATION

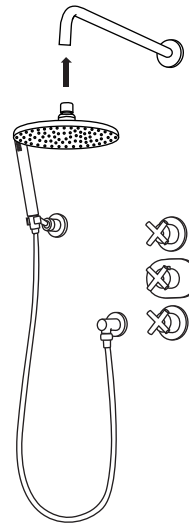
7. Attach the hand shower to its water supply elbow using the hand shower hose. Apply thread sealant or plumber's tape to the threads before tightening. Hand tighten the connections firmly.



8. Attach the shower head arm by threading it into its prepared female fitting. Be sure the use the decorative escutcheon to conceal the rough-in. Apply thread sealant or plumber's tape to the threads before tightening.



9. Complete the installation by attaching the shower head to the installed shower arm. Apply thread sealant or plumber's tape to the threads before tightening.



10. Turn the main water supply back on, and test the completed shower system. Ensure that there are no leaks and that all functions are working properly.

