



# TOSCA THERMOSTATIC SHOWER SET INSTALLATION

## BEFORE YOU BEGIN

We recommend consulting a professional if you are unfamiliar with installing plumbing fixtures. Signature Hardware accepts no liability for any damage to the plumbing, floor, walls, tub, or for personal injury during installation.

Observe all local plumbing and building codes.

Unpack and inspect the faucet for shipping damage. If any damage is found, contact our Customer Relations team at 1-866-855-2284.

## GETTING STARTED

- Ensure that you have gathered all the required materials that are needed for the installation.
- For the following installation instructions, it is assumed that the wall has been opened and that the existing shower set has been removed.
- Before you begin, the main water supply to your home should be shut off.

## TOOLS AND MATERIALS:



Plumbers  
Tape



Tape Measure



Phillips  
Screwdriver



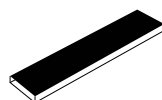
Adjustable  
Wrench



Drill



Hex Wrench



Wood Blocking



Soldering Kit  
(for copper pipe)



1/2" Test Plug



Level



Pencil or  
Marker

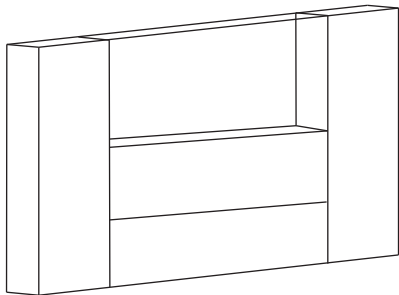


# TOSCA THERMOSTATIC SHOWER SET INSTALLATION

## Step 1: Valve Installation

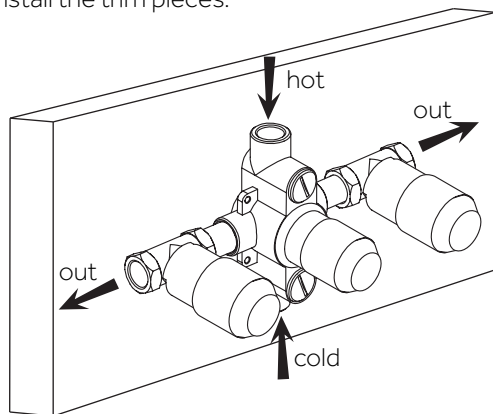
1. To prepare for installation, wood blocking should be installed between the two studs where the valve will mount. The wood blocking will need to be installed 2 ¼"-2 ¾" behind the finished wall.

**Important:** Take into consideration the thickness of the finished wall materials, such as tile, when calculating measurements.



2. Secure the valve to the prepared wood blocking using the provided hardware. Ensure that the "cold" inlet is pointing down, and the "hot" inlet is pointing up. Use a level to ensure that the valve is straight and level.

**Tip:** Leave the protective sleeves on the valve stems until your finished wall is complete, and you are ready to install the trim pieces.

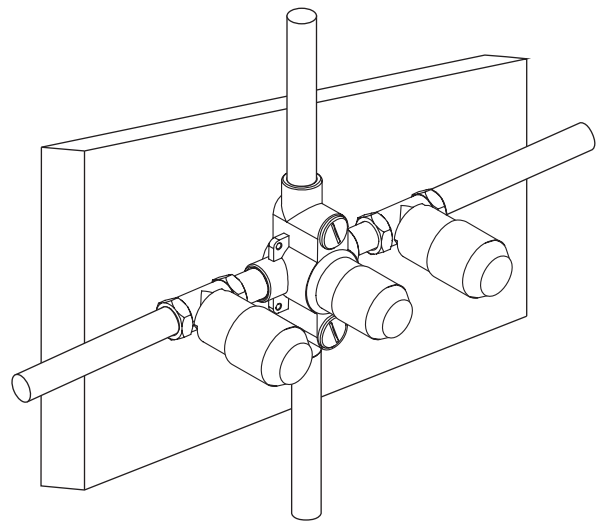


3. Route, assemble, and connect all in-wall piping as desired to and from the shower valve. Make all connections appropriately depending upon the type of pipe that is being used. For copper pipe, soldering will be required and should be completed by a licensed plumber. Apply plumber's tape to any threaded connections if applicable. Install any wood blocking that is necessary to support the piping and valve.

### Important Notes:

A) The valve has two single-function outlets, one exiting left and the other exiting right. The plumbing for the hand shower will connect to one outlet, and the plumbing for the shower head will connect to the other.

B) Female fittings will need to be placed where the hand shower's supply elbow will attach, as well as where the shower arm will attach. The fittings should sit no more than ¼" behind the finished wall.

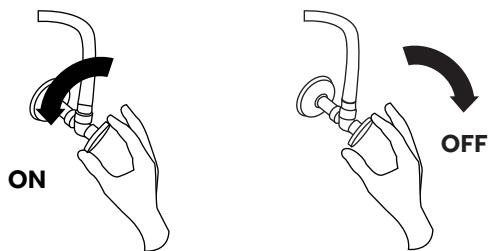




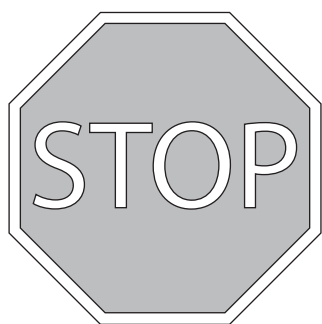
# TOSCA THERMOSTATIC SHOWER SET INSTALLATION

4. Once all piping is routed and connections have been made, use a 1/2" test plug to perform a water pressure test. Turn on the main water supply to your home and water test the installed plumbing. Ensure that there are no leaks, then shut the water off. Remove the test plug.

**Note:** Water pressure testing should be performed by a licensed plumber if you are not familiar with this procedure.

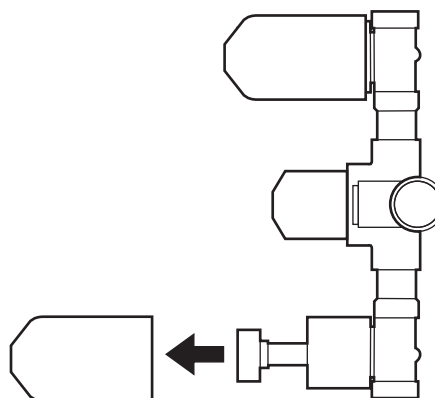


**IMPORTANT: COMPLETE THE CONSTRUCTION OF YOUR WALL, INCLUDING ANY FINISHED WALL MATERIALS SUCH AS TILE, BEFORE PROCEEDING WITH THE REMAINDER OF THE INSTALLATION.**

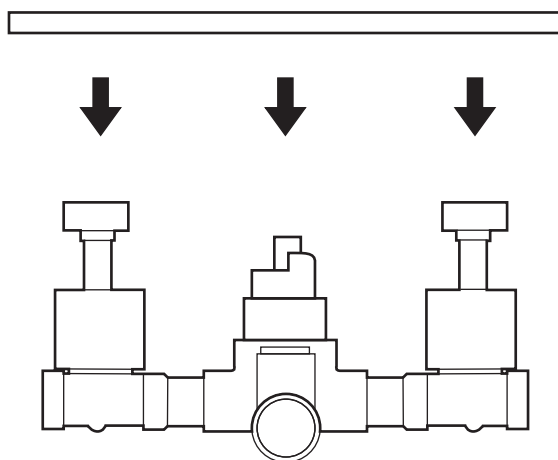


## Step 2: Trim Installation

1. Once the finished wall is complete, remove the protective sleeves from the valve stems. If the test plug has not yet been removed, remove that as well.



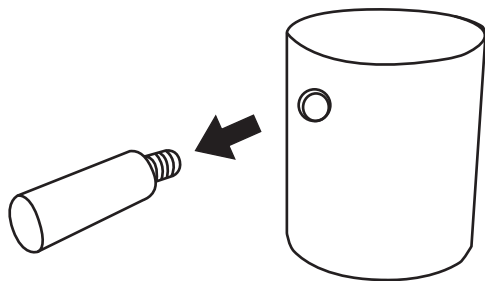
2. Slide the decorative back plate onto the valve. Ensure that the markings located above each opening on the back plate are facing up.



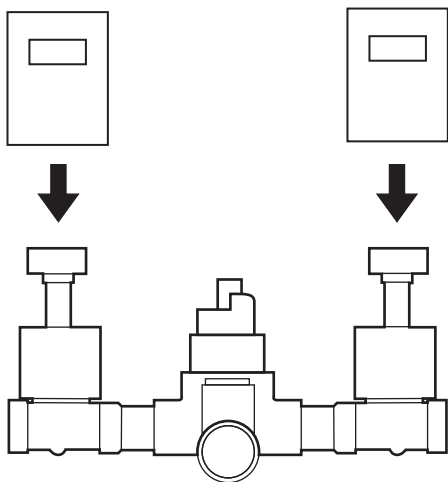


# TOSCA THERMOSTATIC SHOWER SET INSTALLATION

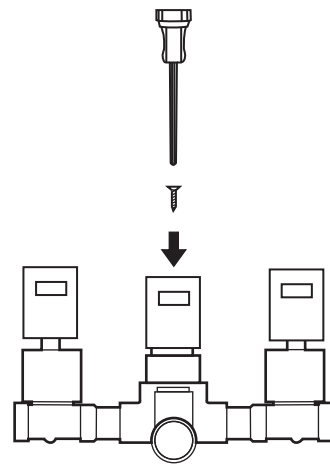
3. Disassemble the left and right control knobs to prepare for install. Untwist the lever from each knob, then remove the threaded posts from each.



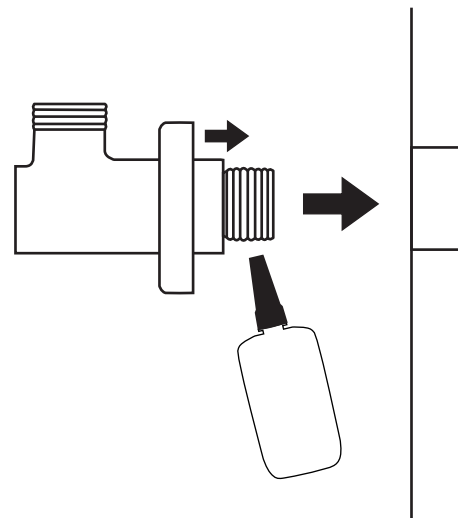
4. Slide the knobs onto the left and right spindles. Use the threaded mounting posts to secure the knobs to the spindles. Tighten the posts using the provided hex wrench, then reattach the levers by threading them onto the posts.



5. To install the temperature control knob, slide the knob onto the center valve stem. Use the provided screw to attach, and tighten with a Phillip's screwdriver. Insert the decorative screw cover to conceal the screw.



6. To install the hand shower's water supply elbow, thread it onto its prepared female fitting. Apply thread sealant or plumber's tape to the threads before tightening. Use the decorative escutcheon to conceal the rough-in.

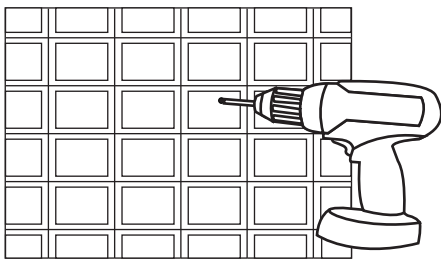




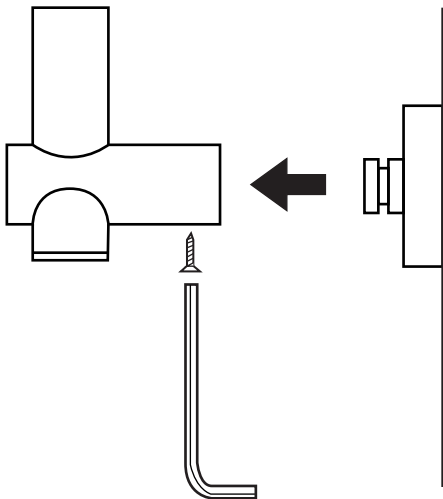
# TOSCA THERMOSTATIC SHOWER SET INSTALLATION

7. Determine a location to mount the hand shower's slide bar. Temporarily install the mounting brackets onto the bar, and hold the bar against the wall at the desired mounting location. Use a level to ensure that the slide bar is straight, then mark the locations of the mounting brackets by outlining them with a pencil. Remove the bar, then attach the brackets to the wall using the provided anchors and screws.

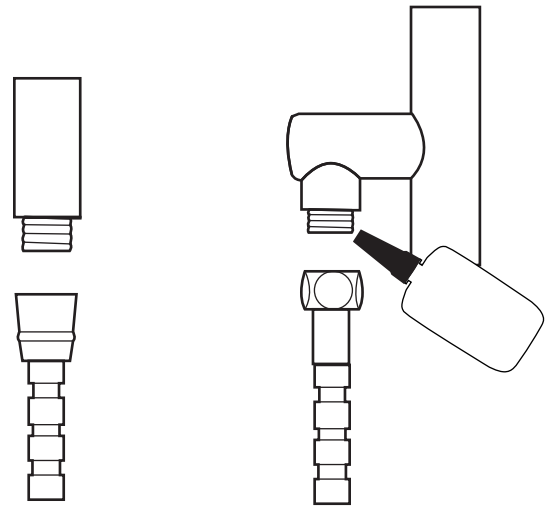
**Important:** If drilling through tile, you must use a masonry drill bit and drill carefully.



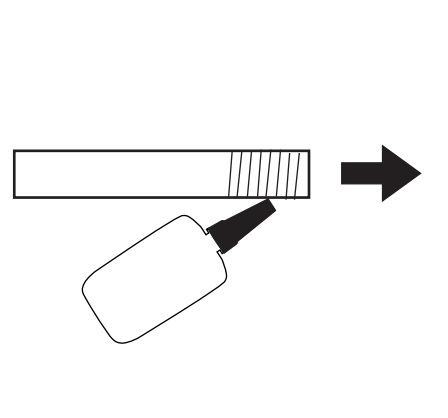
8. Once the mounting brackets are attached to the wall, attach the slide bar by mounting it onto the brackets. To secure, tighten the set screws located on the slide bar using the provided hex wrench.



9. Attach the hand shower to the supply elbow using the hand shower hose. Apply thread sealant or plumber's tape to the threads before tightening. Hand tighten the connections firmly.



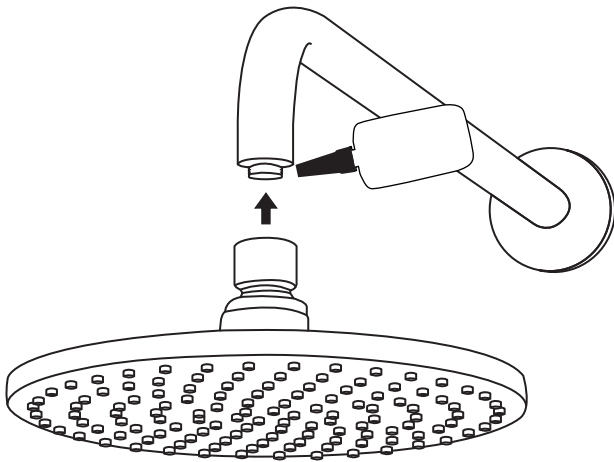
10. Attach the shower head arm by threading it into its prepared female fitting. Be sure to use the decorative escutcheon to conceal the rough-in. Apply thread sealant or plumber's tape to the threads before tightening.





# TOSCA THERMOSTATIC SHOWER SET INSTALLATION

11. Complete the installation by attaching the shower head to the installed shower arm. Apply thread sealant or plumber's tape to the threads before tightening.



12. Turn the main water supply back on, and test the completed shower system. Ensure that there are no leaks and that all functions are working properly.

