



PORCELAIN PEDESTAL SINK INSTALLATION

BEFORE YOU BEGIN

We recommend consulting a professional if you are unfamiliar with installing bathroom fixtures and plumbing. Signature Hardware accepts no liability for any damage to the floor, walls, plumbing, sink, or personal injury during installation.

Observe all local plumbing and building codes.

Unpack and inspect the sink for damage. If any damage is found, contact our Customer Relations team at 1-866-855-2284.

GETTING STARTED

- Ensure that you have gathered all of the required materials that are needed for the installation.
- Ensure that your bathroom floor is adequately supported, and the finished floor is level.
- Because wall construction and materials vary from home to home, Signature Hardware does not always provide mounting hardware. The appropriate mounting hardware can be purchased from your local hardware store.
- The sink must be fastened to studs behind the finished wall. If the studs do not align with the sink, proper wood blocking must be installed between the studs where the sink will mount.
- For the following instructions, it is assumed that the in-wall plumbing has already been prepared.

TOOLS AND MATERIALS:



Pencil



Tape Measure



Level



Silicone Sealant
(100% Neutral
Cure)



Stud Finder



Drill



Socket Wrench



Lag Bolts



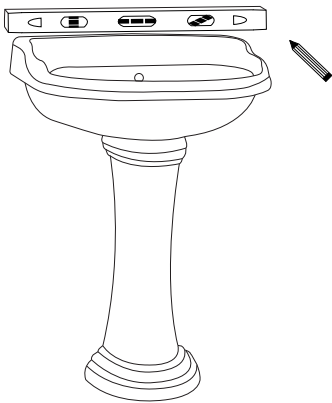
Drywall Anchors



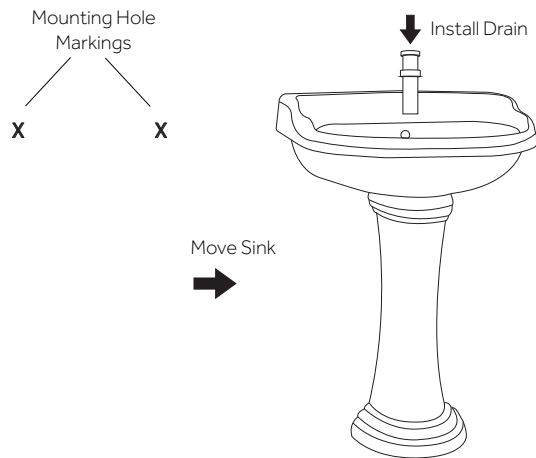
PORCELAIN PEDESTAL SINK INSTALLATION

INSTALLATION

1. Temporarily fit the sink onto the pedestal. Place the sink and pedestal at its desired mounting location. Use a level to adjust the sink until it is perfectly aligned. Once positioned properly, mark the location of the sink's mounting holes on the wall using a pencil.

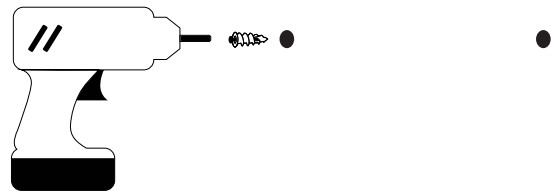


2. Move the sink away from the installation location. For convenience, install the sink drain before moving on. Refer to the drain's installation instructions for guidance if needed.



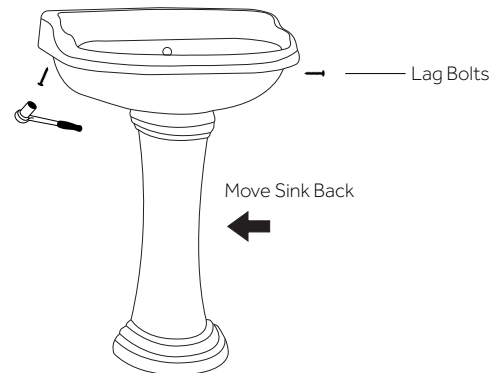
3. Drill pilot holes at the marked locations of the sink's mounting holes. If using anchors, insert the anchors into the drilled holes.

Important: Attaching the sink to a hollow wall where studs or wood blocking are not present could result in future injury or extensive damage to your home if an accident were to occur. Consult a professional if you are unsure, or unfamiliar with this type of installation.



4. Move the sink and pedestal back into position at the installation location. Attach the sink to the wall using lag bolts. Tighten the lag bolts using a socket wrench to secure the sink to the wall.

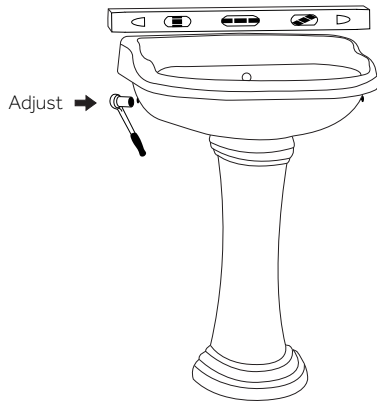
Important: The sink is fragile. Be very careful not to overtighten the lag bolts, which could crack or break the sink.



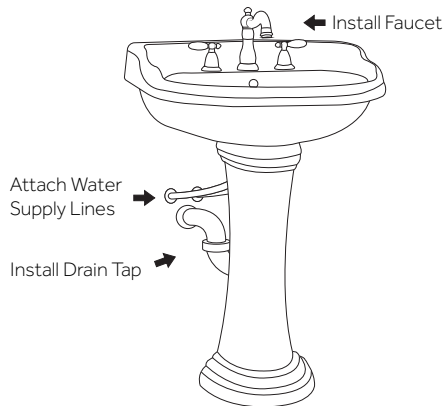


PORCELAIN PEDESTAL SINK INSTALLATION

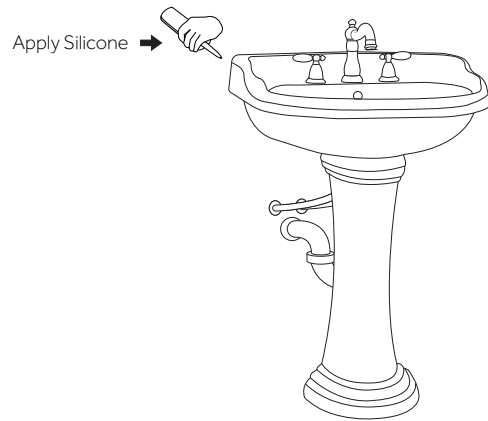
5. Use a level to ensure that the sink remained aligned while securing. Slightly loosen the lag bolts to adjust as needed.



6. Proceed to the installation of the drain trap, water supply lines, and sink faucet. Refer to their respective installation instructions for guidance if needed.



7. Complete the installation by applying a thin bead of silicone around the back of the sink, where it meets the wall. This will prevent water from getting behind the sink, which could damage drywall. If desired, apply another thin bead of silicone around the base of the pedestal, where it meets the floor.



Cleaning and Maintenance

We recommend cleaning enameled products with soap and water after each use and wiping dry with a soft cloth. Porcelain is generally moisture resistant, but keeping it dry whenever possible is recommended. Do not use any abrasive scrubs or sponges to clean your porcelain sink, which can scratch or dull the surface.