



# EXIRA WIDESPREAD FAUCET

## BEFORE YOU BEGIN

We recommend consulting a professional if you are unfamiliar with installing plumbing fixtures. Signature Hardware accepts no liability for any damage to the faucet, plumbing, sink, counter top, or personal injury during installation.

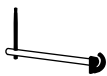
Observe all local plumbing and building codes.

Unpack and inspect the item for damage. If any damage is found, contact our Customer Relations team at 1-866-855-2284.

## TOOLS AND MATERIALS:



Plumber's Tape



Basin Wrench



Thread Sealant\*



Adjustable Wrench\*



Hex Wrench

\*not included

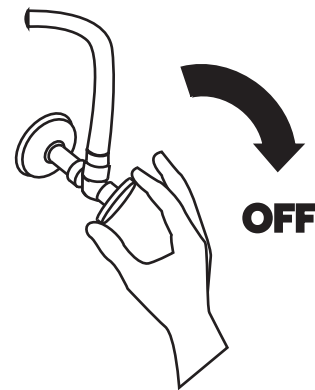
## GETTING STARTED

- Ensure that you have gathered all of the required materials that are needed for the installation.
- For these instructions, it is assumed that the old faucet has been completely removed and any necessary repairs or modifications to the water supply have been completed.

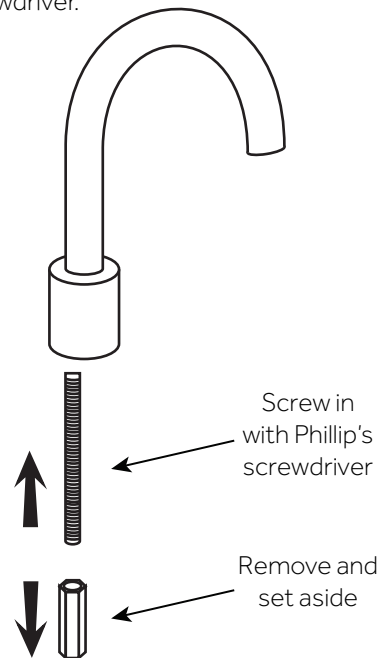
## INSTALLATION

1. Ensure that the water supply below your sink is completely shut off by turning the valve all the way to the right.

**Tip:** Place a small bucket below your workspace to catch any water that may drip during the installation process.



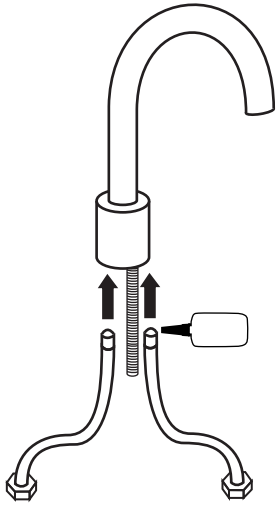
2. Remove the brass lock nut from the threaded mounting post. Set the lock nut aside and attach the threaded mounting post to the base of the spout using a Phillip's screwdriver.



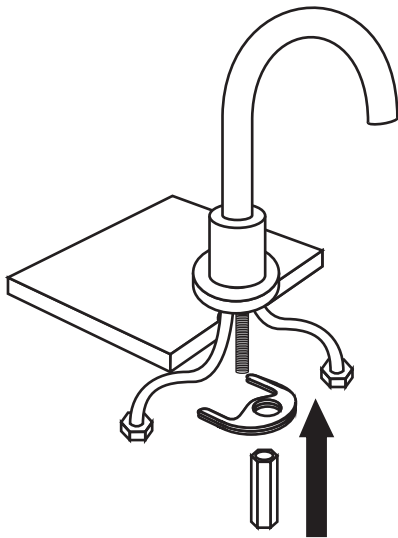


## EXIRA WIDESPREAD FAUCET

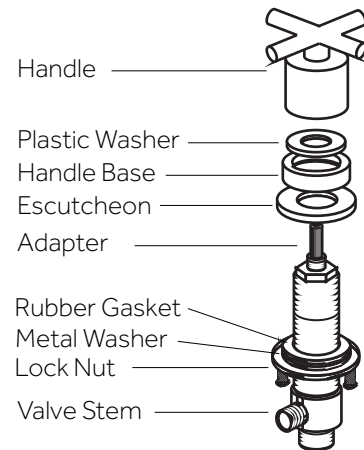
3. Attach the provided braided water lines to the spout by threading them into the base. Apply a bit of thread sealant or plumber's tape to the threads before attaching.



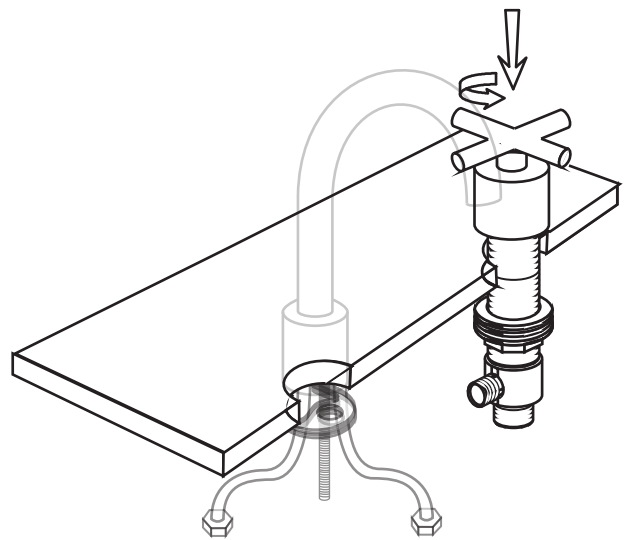
4. Position the decorative baseplate over the center faucet hole, then set the spout into the hole. From beneath the counter top, slide the rubber gasket and metal washer onto the threaded mounting post. Hand tighten the lock nut, then finish tightening using the provided basin wrench.



5. The faucet's valve stems are labeled by colored dots — blue for 'cold' and red for 'hot.' Dissassemble the 'cold' valve stem to prepare for installation, but leave the metal washer and rubber gasket in place. Loosen the lock nut to its fullest point at the base of the stem. Refer to the parts list below for identification.



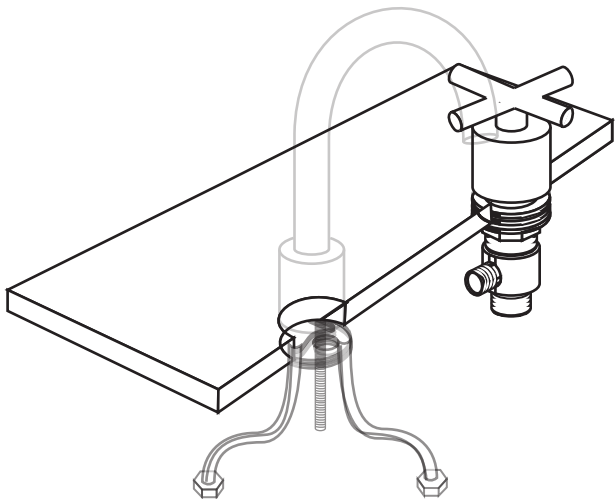
6. From beneath the countertop, insert the valve stem into the right-side faucet hole. From above the counter, slide the escutcheon onto the stem then thread on the handle base.



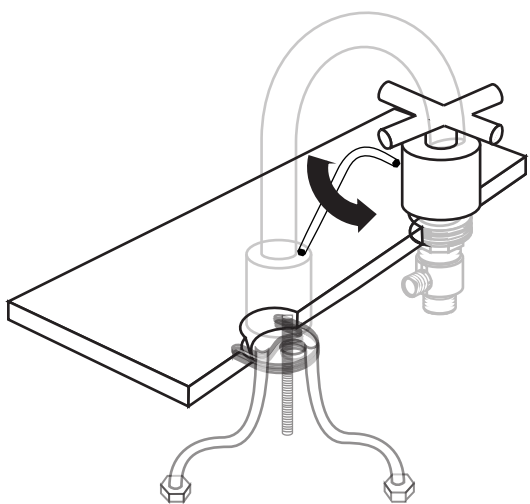


## EXIRA WIDESPREAD FAUCET

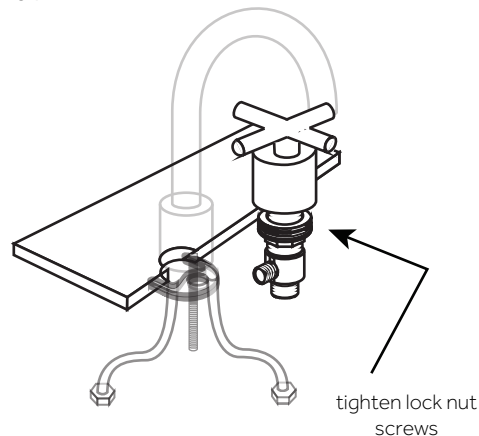
7. Set the plastic washer into the handle base, then attach the adapter to the stem using a Phillip's screwdriver.



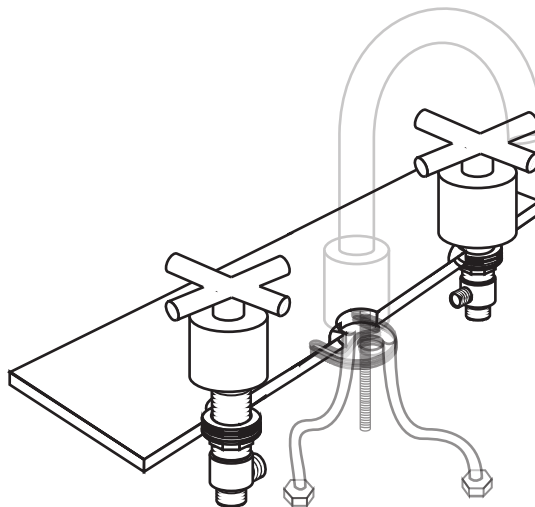
8. Attach the handle by sliding it onto the adapter and tightening the set screw on the back of the handle. Use the provided hex wrench to tighten.



9. From beneath the countertop, position the valve stem so that the outlet on the side of the stem is facing inwards toward the spout. Hold in place and hand tighten the lock nut. Once secure, finish installing by tightening the screws on the lock nut with a Phillip's screwdriver.



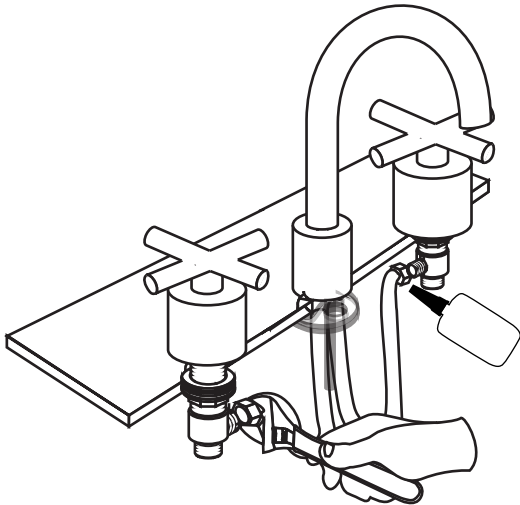
10. Repeat steps 5-9 to install the 'hot' valve stem assembly into the left-side faucet hole.



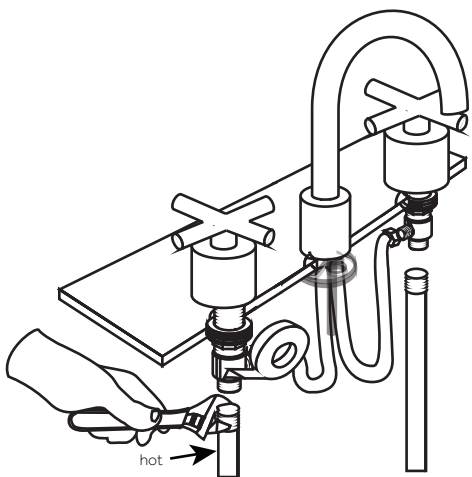


## EXIRA WIDESPREAD FAUCET

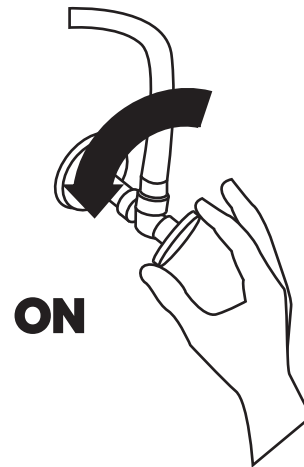
11. Secure the braided water lines attached to the spout to the appropriate outlet on the side of each valve stem. Use an adjustable wrench to tighten, but be careful not to overtighten. Apply thread sealant or plumber's tape to each threaded connection before attaching.



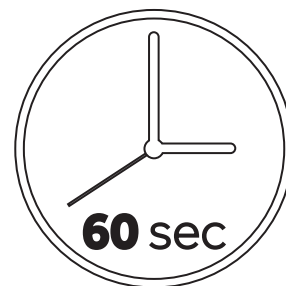
12. Attach the main water lines to the proper inlet on the bottom of each valve stem. Use an adjustable wrench to tighten, but be careful not to overtighten. Apply thread sealant or plumber's tape to each threaded connection. Ensure that you are connecting the hot and cold lines appropriately.

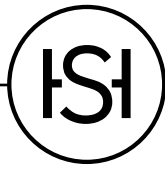


13. Once installation is complete, turn the main water supply back on from below your sink. Check for any leaks underneath.



14. Remove the aerator from the spout using the provided removal tool, then turn the faucet on for approximately 60 seconds to allow any dust or loose sediment to exit the water lines. Check for any leaks. Test both hot and cold water to ensure they are running properly. Once testing is complete, reattach the aerator.





# DRAIN INSTALLATION

## BEFORE YOU BEGIN

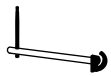
We recommend consulting a professional if you are unfamiliar with installing bathroom fixtures and plumbing. Signature Hardware accepts no liability for any damage to the floor, walls, plumbing, or personal injury during installation.

Unpack and inspect the item for damage. If any damage is found, contact our Customer Relations team at 1-866-855-2284.

## TOOLS AND MATERIALS:



Plumber's Tape



Basin Wrench

\*not included

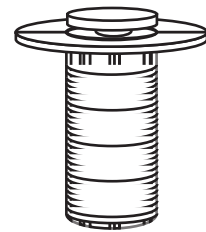
## GETTING STARTED

- Ensure that you have gathered all of the required materials that are needed for the installation.

## INSTALLATION

1. Dissassemble the drain assembly and lay the parts aside, in the same order they were removed. See the illustration below as a reference if needed.

Pop-Up Drain Flange



Flat Rubber Gasket



Tapered Rubber Gasket



Plastic Friction Washer



Lock Nut



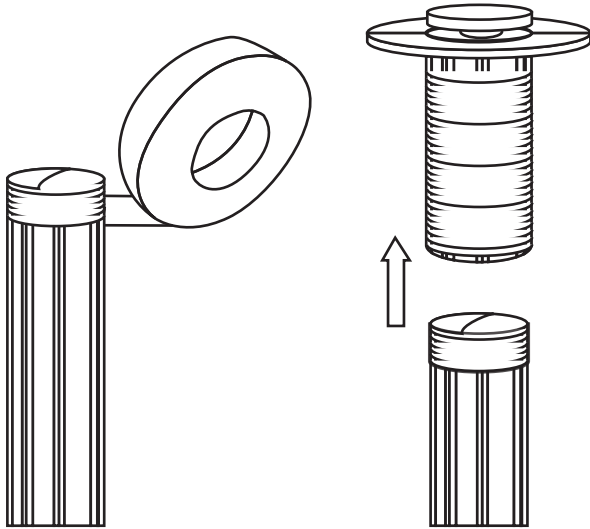
Tailpiece



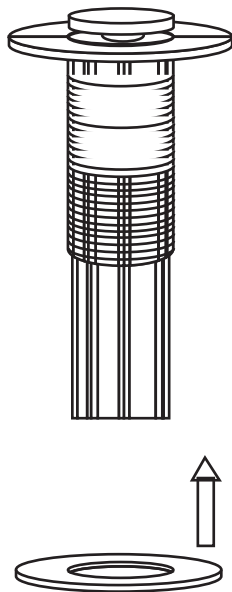


## DRAIN INSTALLATION

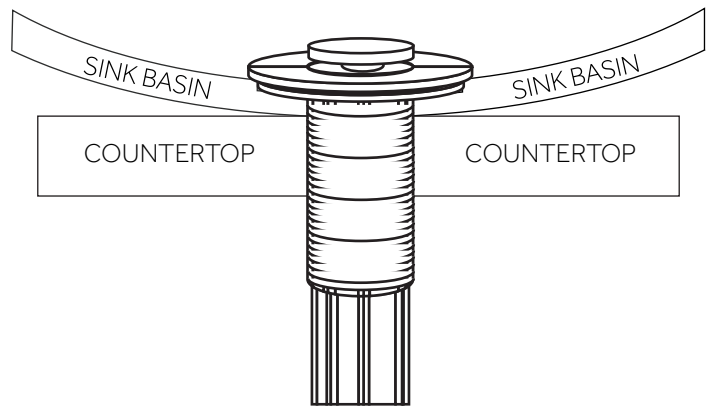
2. Apply plumber's tape to the threading on the tailpiece, then reattach the tail piece to the pop-up drain flange.



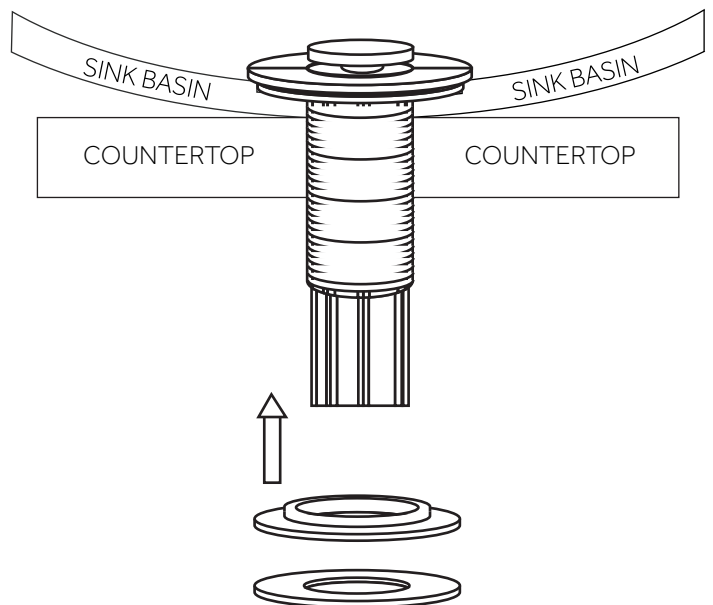
3. Slide the flat rubber gasket up the tailpiece until it meets the lip of the pop-up drain flange.



4. Insert the drain flange and tailpiece through the top of your sink's drain hole.



5. From under your counter, slide the tapered rubber gasket followed by the plastic friction washer onto the tailpiece until they meet your sink or countertop. Be sure that the tapered side of the rubber washer is facing up.





## DRAIN INSTALLATION

6. Thread the lock nut onto the drain flange. Hand tighten until secure, then finish tightening with a basin wrench once the drain is properly aligned.

**Important:** Be careful not to overtighten, which could crack a porcelain sink or stone countertop.

