



RYLE WALL MOUNT RAINFALL SHOWER SET

INSTALLATION INSTRUCTIONS

Before you begin, read the installation instructions below. Observe all local building and safety codes.

Unpack and inspect the product for any shipping damages. If you find damages, do not install. Contact Customer Service at 1.855.715.1800. If you need assistance or have questions while installing your shower set, contact Customer Service.

We recommend consulting a professional if you are unfamiliar with installing bathroom fixtures, and plumbing. Signature Hardware accepts no liability for any damage to the plumbing or wall, or for personal injury during installation.

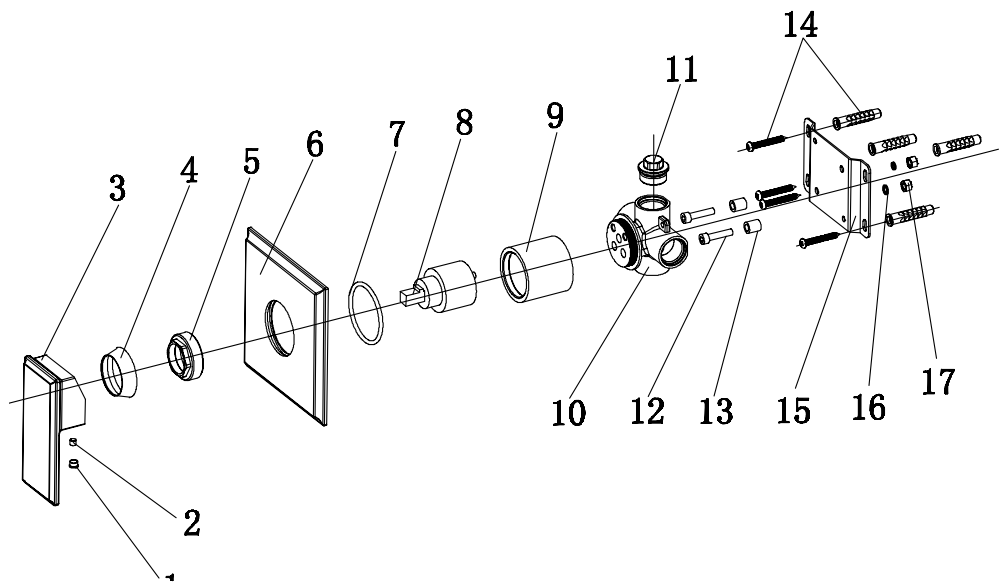
TOOLS AND MATERIALS:

Screwdriver

Teflon Tape

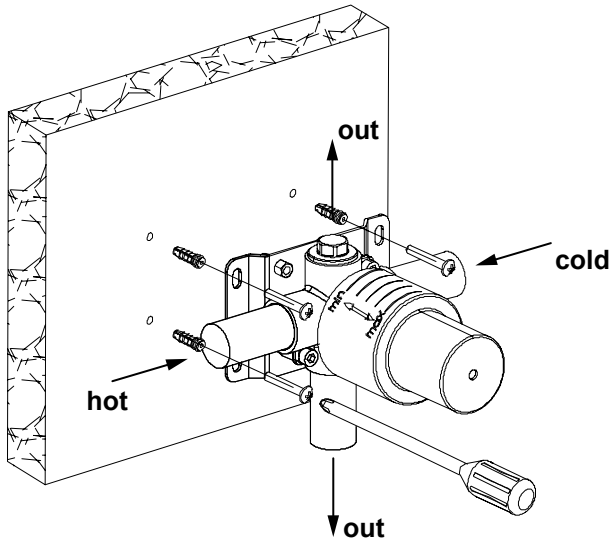
VALVE EXPLODED VIEW:

1	SD10101000200
2	M0105004
3	SD15617000100
4	SD10117000400
5	SD10117000500
6	SD15619000300
7	OXQ50030
8	FX0402
9	SD10117000600
10	SD10119000800-1
11	SD10119000700-1
12	M0305022
13	SD10119000900
14	M0805032
15	SD10119001000
16	SD10119001100
17	M110405

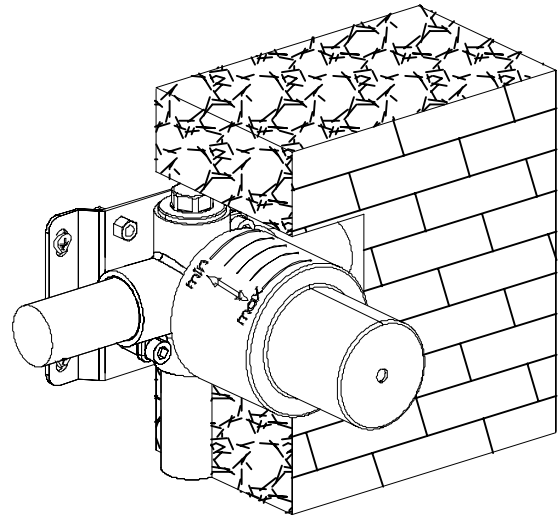




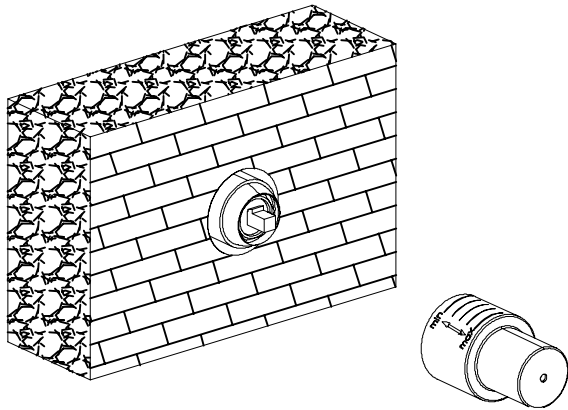
INSTALLATION:



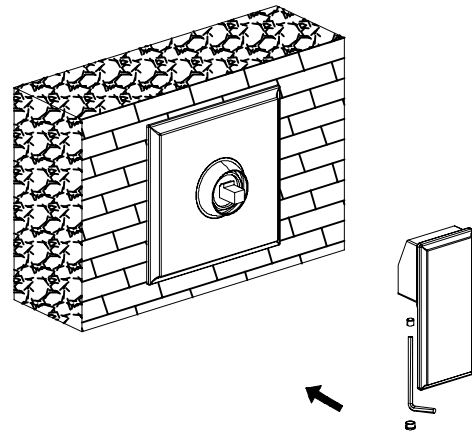
1. Install the valve body. Wrap the threaded portion of the joints in Teflon tape and connect the water inlet and outlet.



2. Put the protective cover on the valve body and finish the shower wall.



3. When the finished wall is complete, remove the protective cover.



4. Install the escutcheon, and handle. Tighten the set screw with an Allen wrench to secure.
5. Attach the shower arm escutcheon to the shower arm. Wrap the threaded portions of the shower arm with Teflon tape and connect the arm to the shower inlet. Adjust the direction of the water flow as needed. Attach the rainfall shower head to the shower arm.