

SHARP | Simply Better Living

MICROWAVE DRAWER™

SMD2480CS

1.2
CU.FT.

950
WATTS

"Easy Wave Open" for quick, touchless opening of the microwave drawer

Concealed, touch glass controls are easy-to-see and operate at a convenient 45° angle

Modern edge-to-edge black glass with convenient viewing window

Stainless steel design with bright, LED interior lighting and stylish floor pattern

Built-in airflow control for flush mounting

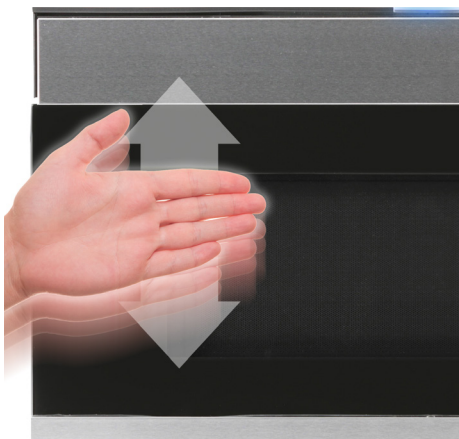
Flexible placement options. Install into an island, peninsula or below your wall oven



INTRODUCING THE WORLD'S FIRST MICRO-WAVE

Sharp's top-of-the-line Microwave Drawer™ features **Easy Wave Open** for touchless operation. Simply wave up-and-down near the motion sensor and Microwave Drawer will glide open. With the touch of a button or a gentle nudge, our patented Easy Touch Automatic Drawer System smoothly closes the oven to avoid messy spills. The SMD2480CS Sharp® Microwave Drawer™ stays closed when you walk by, so children and pets won't accidentally open it.

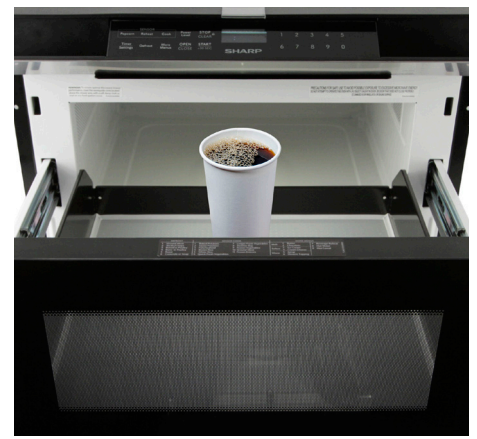
The concealed, Touch Glass Control panel is easy-to-see and operate at a convenient 45° angle, keeping all of the controls at your fingertips when you need them, and completely out of sight when you don't. The modern, edge-to-edge, black glass and stainless steel design with bright, LED interior lighting and stylish floor pattern compliments your kitchen and pairs beautifully with other stainless steel appliances.



Simply wave up-and-down near the motion sensor and Microwave Drawer will glide open.



The concealed control panel puts all of the controls at your fingertips when you need them, and completely out of sight when you do not.



1.2 cu. capacity large enough for a 4-qt casserole dish and tall enough for a large, 20 oz. beverage cup

SHARP | Simply Better Living

MICROWAVE DRAWER™

SMD2480CS



SPECIFICATIONS

FEATURES

Finish	Stainless Steel, Black Glass
Drawer Opening	"Easy Wave Open" Motion Sensor or Open/Close Button
Width	24"
Capacity (cu. ft.)	1.2
Output Power (watts)	950
Interior Light	LED
Timer/Settings	Yes
Open/Close	Yes
Start/+30 Sec	Yes
Stop/Clear	Yes
Power Level	11
Clock	Yes
Multi-Stage Cooking	4
Control Lock	Yes
Demo Mode	Yes
Microwave ON Indicator	Yes
End of Cooking Reminder	Yes
Auto Start	Yes
Standby Mode	Yes

CONTROL PANEL

Control Panel Location	Center/Top
Control Panel Type	Glass Touch, Drop-Down 45° Angle
Display Type	LCD
Display Color	White on Black Background

COOKING / MENU PRESETS

Popcorn	Sensor
Reheat	Sensor
Defrost Settings	Ground Meat, Steaks/Chops, Boneless Poultry, Bone-in Poultry, Roast, Casserole or Soup
Sensor Cook	Baked Potatoes, Sweet Potatoes, Fish/Seafood, Brown Rice, White Rice, Quick Fresh Vegetables, Longer Fresh Vegetables, Steamer Bag, Frozen Vegetables, Ground Meat, Frozen Entrees
Melt, Soft & Warm Options	Butter, Chocolate, Ice Cream, Cream Cheese, Syrup, Dessert Topping
Other Menus	Beverage Reheat, Hot Water, Hot Cereal

ADDITIONAL FEATURES

Oven Floor	Patterned Glass
Flush Mount	Yes, vent incorporated in the bottom of drawer face

OPTIONAL ACCESSORY

Product Name	Extension Kit for 30" width
Model	SKMD30E3DS
Color	Stainless Steel with Black Glass
UPC	074000620629

ADDITIONAL SPECIFICATIONS

Oven Interior (w x h x d)	17-5/16" x 7-1/8" x 16-9/16"
Power Source	120V, 60Hz / 14.5A / 1.67 KW

DIMENSIONS & WEIGHT (in./lbs.) (w x h x d)

Standard Mount Cutout Dimensions	22-1/8" x 15-9/16" x 23-1/2"
Flush Mount Cutout Dimensions	23-7/8" x 16-1/4" x 23-1/2"
Product Dimensions	23-5/8" x 16.0" x 23-7/16"
Shipping Dimensions	29-1/4" x 21-1/2" x 27-7/8"
Product Weight / Shipping Weight	74.0 lbs. / 85.8 lbs.

WARRANTY/UPC

Parts	1 year
Labor	1 year
Magnetron Tube	5 years (parts only)
UPC	074000620513

Internal capacity calculated by measuring maximum width, depth and height. Actual capacity for holding food is less.

Product specifications and design are subject to change without notice.

© 2018 Sharp Electronics Corporation. All rights reserved.

Sharp, Microwave Drawer, Supersteam+, Healsio, Plasmacluster and all related trademarks are trademarks or registered trademarks of Sharp Corporation and/or its affiliated companies. All other trademarks are property of their respective owners.

QUESTIONS?

1.800.BE.SHARP

SIMPLY BETTER LIVING

At Sharp Home Electronics Company of America, we are committed to Simply Better Living. Our innovative home appliance products are SIMPLE to use, BETTER than the competition, and encourage a HEALTHY LIFESTYLE.

SHARP ELECTRONICS CORPORATION
100 Paragon Drive, Montvale NJ, 07645
1.800.237.4277 • www.sharpsusa.com



SHARP®

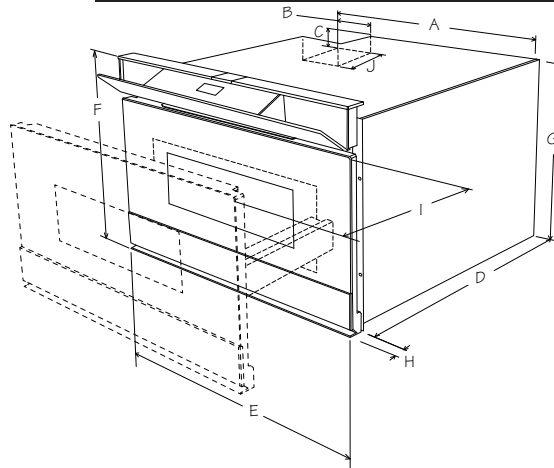
Be Original.

SMD2480CS

The following are measurements only. Do not use to install microwave drawer.

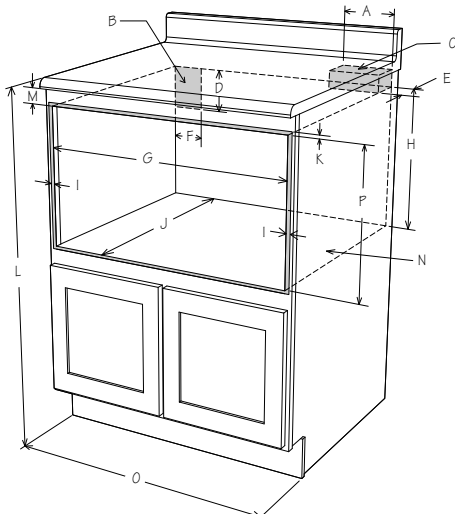
For detailed installation instructions, please refer to the installation manual

24" MICROWAVE DRAWER PRODUCT DIMENSIONS



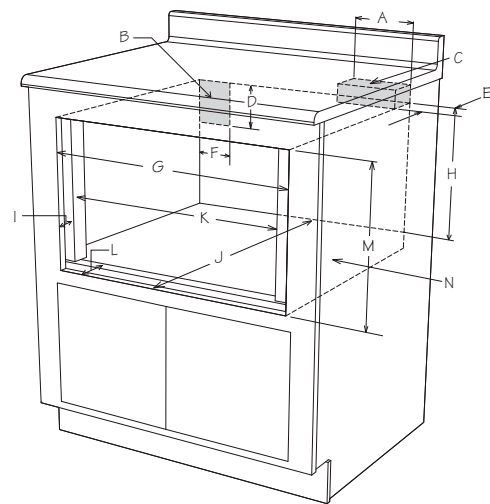
- A. 21-5/8" (549.28 mm)
- B. 4-11/16" (119.06 mm)
- C. 1-3/4" (44.45 mm)
- D. 21-7/8" (555.63 mm)
- E. 23-5/8" (600.07 mm)
- F. 16" (406.4 mm)
- G. 14-19/32" (370.68 mm)
- H. 1-17/32" (38.89 mm) door thickness
- I. 15" (381 mm) auto drawer opening
- J. 4" (101 mm)

24" MICROWAVE DRAWER STANDARD MOUNT MEASUREMENTS



- A. 6" (152.40 mm)
- B. Suggested electrical outlet location
- C. Anti-Tip block
- D. 5" (127 mm)
- E. 3-1/2" (88.90 mm)
- F. 4" (101.60 mm)
- G. 22-1/8" (561.97 mm) opening
- H. 14-13/16" (376.24 mm) to bottom of Anti-Tip block
- I. Allow 7/8" (22.22 mm) overlap
- J. 23-1/2" (596.90 mm) min. depth
- K. Allow 7/16" (11.11 mm) overlap
- L. 36" (914.40 mm) countertop height
- M. Allow 7/16" (11.11 mm) min. space
- N. Floor must support 100 lb/45.4 kg
- O. 24" (609.60 mm) cabinet min.
- P. 15-9/16" (395.29 mm) opening

24" MICROWAVE DRAWER FLUSH MOUNT MEASUREMENTS



- A. 6" (152.40 mm)
- B. Suggested electrical outlet location
- C. Anti-Tip block
- D. 5" (127 mm)
- E. 3-1/2" (88.90 mm)
- F. 4" (101.60 mm)
- G. 23-7/8" (606.43 mm)
- H. 14-13/16" (376.24 mm) to bottom of Anti-Tip block
- I. 1-1/16" (26.97 mm)
- J. 23-1/2" (596.90 mm) min. depth
- K. 22-1/8" (561.97 mm)
- L. 1-17/32" (38.89 mm) to front of shelf
- M. 16-1/4" (412.75 mm) opening
- N. Floor must support 100 lb (45.4 kg)

QUESTIONS?

1.800.BE.SHARP

SIMPLY BETTER LIVING

At Sharp Home Electronics Company of America, we are committed to Simply Better Living. Our innovative home appliance products are SIMPLE to use, BETTER than the competition, and encourage a HEALTHY LIFESTYLE.