

# SHARP®

## KB-6524PS/PK/PW Insight Pro® Microwave Drawer® Oven



### INSIGHT·PRO®



Innovative thinking led to the world's first Microwave Drawer® Oven, an appliance that has helped revolutionize kitchen design and microwave oven placement. Now Sharp introduces the next generation of this successful appliance – larger, sleeker and more accessible than ever. The new KB-6524P fits in the same space as other Sharp 24-inch models, yet its larger 1.2 cu. ft. interior is tall enough to hold a 20 oz. cup from your favorite take-out coffee store. Plus, there are two convenient ways to open or close the drawer – either pull or push the Easy Open handle or simply touch the Auto-Touch™ control panel.

With more convenience features, quieter operation and a more integrated design, the KB-6524P really is the best solution yet for where to place the microwave.

### New 24-inch Design

The new KB-6524P joins Sharp's line-up of Microwave Drawer appliances. The design is new, inside and out. The cavity is larger with 1.2 cu. ft. capacity, tall enough to hold your favorite 7-in. high mug or a 20 oz. cup from your neighborhood take-out coffee store. The new open handle and concealed louvers give this model a contemporary, quality look and feel. With all these changes, outside dimensions remain the same, making kitchen planning and installation easier.

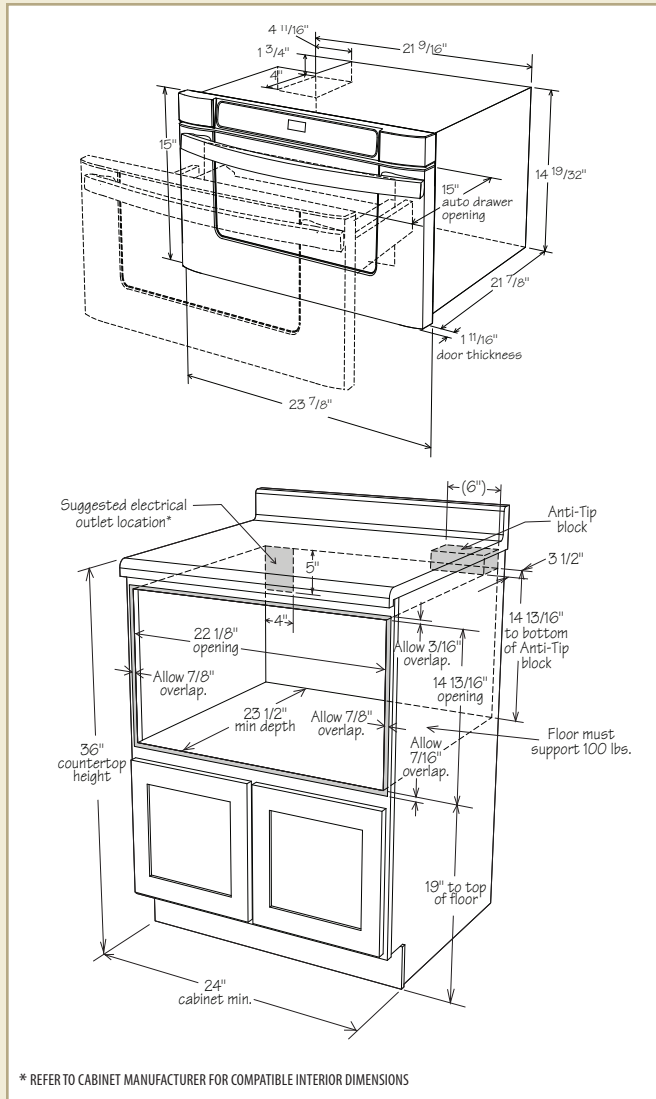
### Easier Accessibility

Just pull or push the Microwave Drawer handle and Sharp's exclusive Easy Open system activates a motor to open or close the drawer automatically. For even easier access, the control panel also features Open and Close buttons for one-finger operation. Smaller, lower drawer slides make

the cavity more accessible so it's easier to clean the top and back walls. And best of all, there's no need to remove the dish from the oven to check, stir, or turn the food.

### Increased Functionality

Sharp continually looks at where consumers place their microwave ovens and how they use them. Based on research with Microwave Drawer owners, we've expanded Short Cut options to include "Warm" for heating syrup for pancakes and dessert sauce for ice cream. A new Beverage Center warms coffee or heats water for hot tea or instant coffee or soup. Sensor Cook® settings and defrost options have been expanded.



Sharp, Insight Pro, Microwave Drawer, Auto-Touch, Sensor Cook, Minute Plus and other related trademarks are trademarks or registered trademarks of Sharp Corporation and/or its related entities. All other trademarks are property of their respective owners.

SPECIFICATIONS	FEATURES	KB-6524PS/PK/PW
<b>Controls</b>	Front-mounted touch controls, angled for easy viewing	•
	Digital LCD display	•
	Kitchen timer	7 digits
	Control lock	•
	Demonstration mode	•
<b>Microwave Drawer</b>	1.2 cu. ft. capacity (holds 9" x 13" dish)	•
	1000W output power	•
	Microwave Drawer opening system	Automatic Easy Open handle or touch control
	Sensor Cook, Reheat, Popcorn	12 settings
	Preprogrammed Reheat	2 settings
	Automatic Defrost	6 settings
	Everyday Convenience Features	Melt, Soften, Warm, Beverage Center
	Microwave Keep Warm	Up to 30 minutes
	Variable power levels	11
	Programmable stages	4
Clock	•	
Minute Plus™	•	
<b>Design</b>	Open Towel Bar	•
<b>Color</b>	Stainless	KB-6524PS
	Black	KB-6524PK
	White	KB-6524PW
<b>Cavity Dimensions</b>	17 5/16" w x 7 1/8" h x 16 9/16" d	
<b>Outside Dimensions</b>	23 7/8" w x 15" h x 26 3/16" d (with handle)	
<b>Approx. Shipping Weight</b>	103 lbs.	
<b>Power/Ratings</b>	120V, 60Hz / 1.67kW, 14.5 Amps	
<b>Safety Compliance</b>	FCC, DHHS, UL listed	
<b>UPC Codes</b>	KB-6524PS:	074000 617773
	KB-6524PK:	074000 617797
	KB-6524PW:	074000 617780
<b>Limited Warranty</b>	One-year parts and one-year labor with in-home service. The warranty continues for an additional four years, for a total of five years, on the magnetron tube for parts only.	

Design and specifications subject to change without notice.

For additional information, including limited warranty, complete dimensions, installation instructions and tips, please visit [www.sharppusa.com/microwavedrawer](http://www.sharppusa.com/microwavedrawer).



**Best New Kitchen Product 2005**  
Kitchen/Bath Industry Show  
**2005 and 2006**  
**Product Innovator Award**  
Kitchen+Bath Business Magazine



ELECTRONIC CATALOG AVAILABLE  
**20 20**  
TECHNOLOGIES  
[www.2020technologies.com](http://www.2020technologies.com)