



SharkBite® Slip Ball Valve

DESCRIPTION

The SharkBite® Ball Valves are high quality forged brass ball valves with SharkBite connections. The SharkBite connections allow the user to connect the ball valves to copper tubing, CPVC and PEX and PE-RT in seconds with relative ease.

FEATURES AND BENEFITS

Instant push-to-connect connections for increased ease of use:
No soldering, clamps, unions or glue required.

Convenient single lever control:
Makes them easy to use and encourages shut-off of water supply.

Full port ball valve:
Allows water to flow freely through the valve.

Utilizes a slip feature for easy installation:
Install quickly on existing copper and CTS CVPC pipe.



24737LF

SPECIFICATION DATA

Performance:

Maximum pressure 200 psi
 Maximum temperature 200°F (water)
 Service Water

Ball Valve Materials:

Body DZR Lead Free Brass
 Seat Ring PTFE
 Ball DZR Lead Free Brass, chrome plated
 Body End Retainer DZR Lead Free Brass
 Stem Brass
 O-ring EPDM
 Packing PTFE
 Packing Nut Brass
 Handle Zinc plated steel
 Handle Nut Zinc plated steel

SharkBite Materials:

Body DZR Lead Free brass
 O-ring EPDM
 Grab Ring Stainless steel
 Tube support liner Polysulfone

SPECIFICATION

The tube shall be inserted into the SharkBite® Push-To-Connect (PTC) fitting in the first stage through a release collar and then through a stainless steel grab ring. The grab ring has teeth that open out and grip onto the tube. At the second stage the tube shall be pushed through an O-ring protector which aligns the tube. A specially formulated EPDM O-ring shall be compressed between the wall of the fitting and the tube before the end of the tube reaches the tube stop. Only when the tube has passed through the O-ring and reached the tube stop shall a secure joint be created. The fitting shall be a SharkBite PTC fitting.



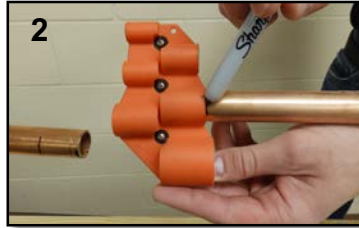


SharkBite® Slip Ball Valve

TYPICAL INSTALLATION

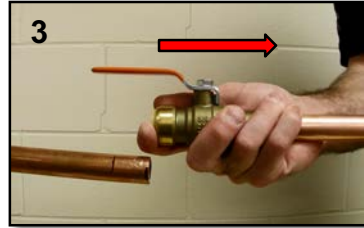


- 1
- Cut out the section of pipe
- For 1/2", remove 2.00"
 - For 3/4", remove 2.25"
 - For 1", remove 2.50"



2

Using the SharkBite Deburring & Depth Gauge (U702), clean the edges of the copper pipe and mark the proper insertion depth on the pipe.



3

On the side of the valve marked "SLIP END", slide the copper pipe into the fitting until it bottoms out.



4

Place the SharkBite Disconnect Clip on the copper pipe, on the same side as the "SLIP END". Press the clip to release the fitting and slide the SharkBite fitting to meet the other pipe.



5

Continue to slide the fitting until the non-slip end reaches the tube stop. Ensure that the fitting lines up with the depth markings.



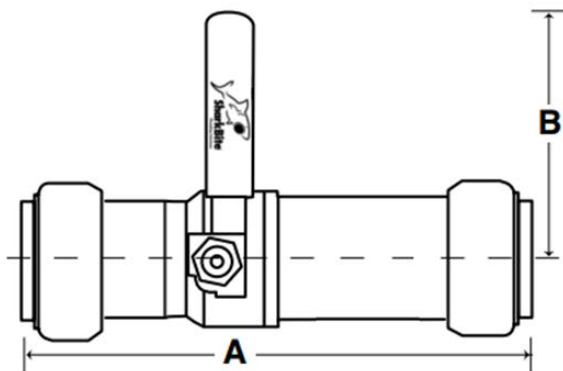
To disconnect a fitting, push the disconnect clip against the release collar. While pushing against the release collar, remove the pipe from the fitting.

CONNECTIONS

SharkBite..... 1/2" through 1"

CERTIFICATIONS

The SharkBite Slip Ball Valve 1/2", 3/4" and 1" are certified to IGZ-157, NSFANSI 61 and NSF 372 and listed by IAPMO.



Dimensions	A	B
1/2" (24735LF)	3.88	3.80
3/4" (24736LF)	4.50	3.75
1" (24737LF)	5.50	4.75

