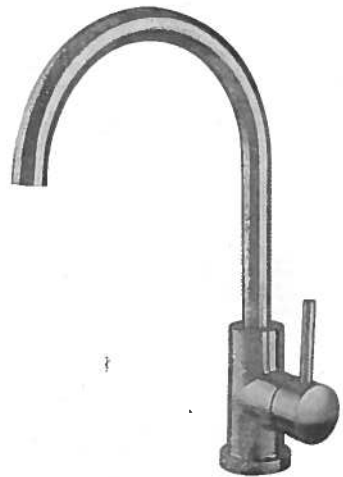


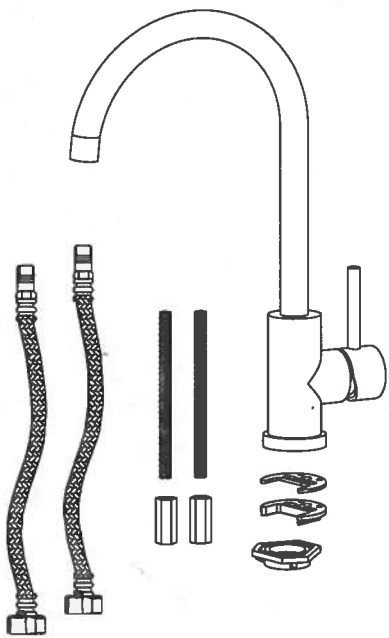
Installation Instruction

Single Handle Kitchen Faucet

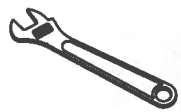


Before Your Installation

Check to make sure you have the following parts indicated below:



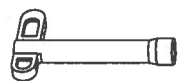
Tools You Will Need



Adjustable wrench



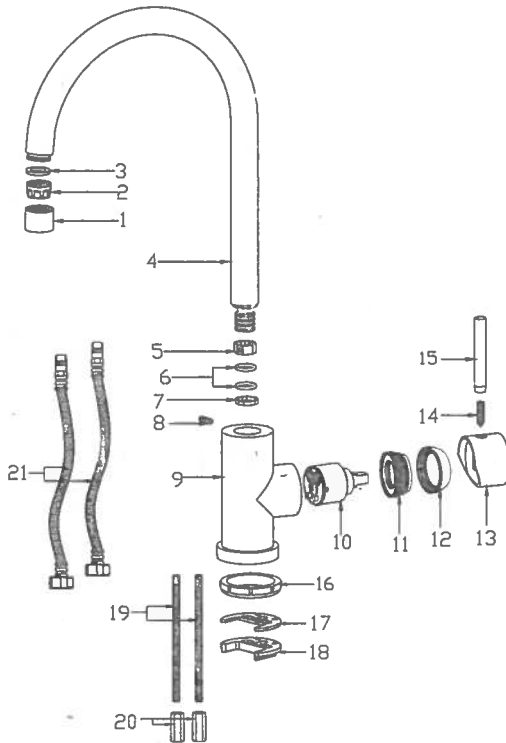
Phillips screwdriver



Spanner for body
(supplied)

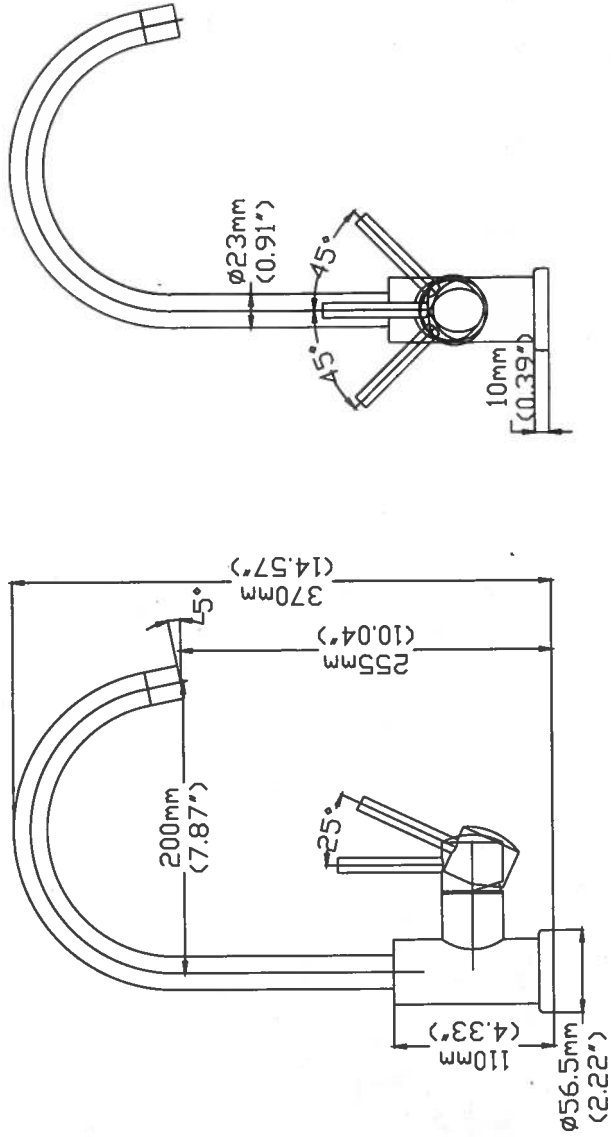
Replacement Parts

Keep this manual for ordering replacement parts.



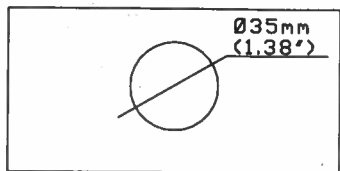
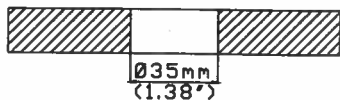
NO	NAME
1.	Aerator holder
2.	Aerator
3.	Gasket
4.	Spout
5.	Plastic lock ring
6.	O-ring
7.	Plastic lock ring
8.	Screw
9.	Faucet body
10.	Cartridge
11.	Lock nut
12.	Cartridge holder
13.	Handle body
14.	Screw
15.	Handle knob
16.	Bottom plastic
17.	Rubber gasket
18.	Stainless steel gasket
19.	Lock screw
20.	Lock nut
21.	Hose

Product Dimension Drawing

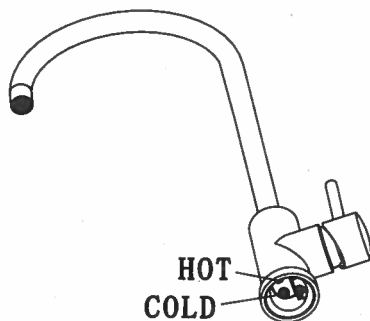


Faucet Installation Procedures

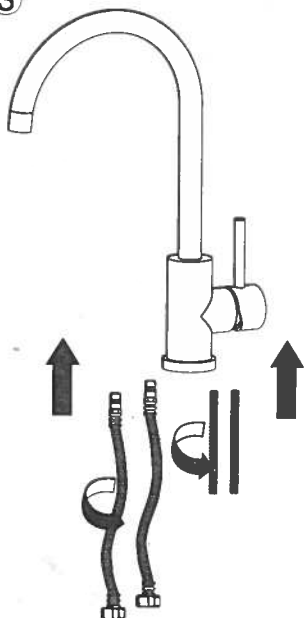
Step ①



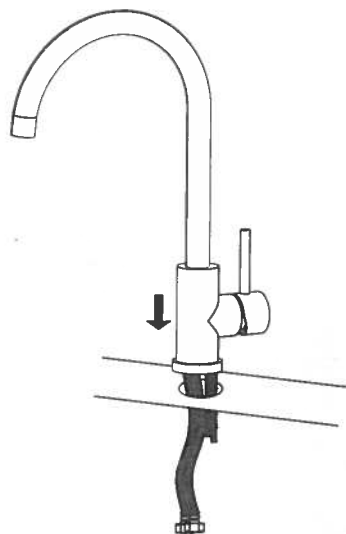
Step ②



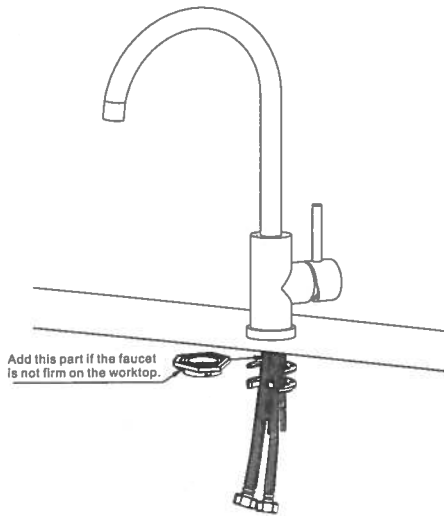
Step ③



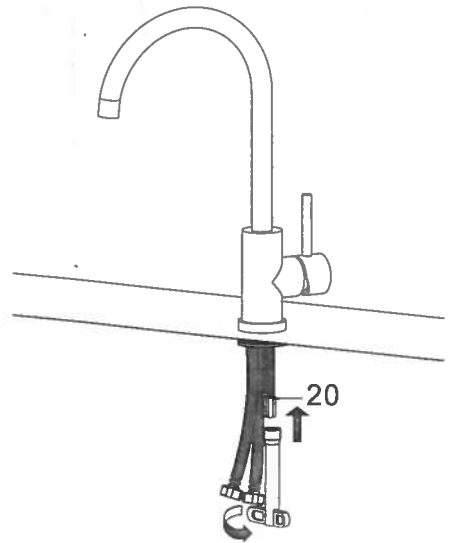
Step ④



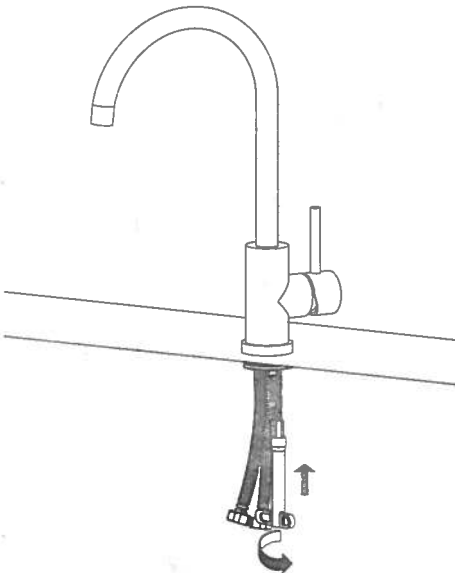
Step ⑤



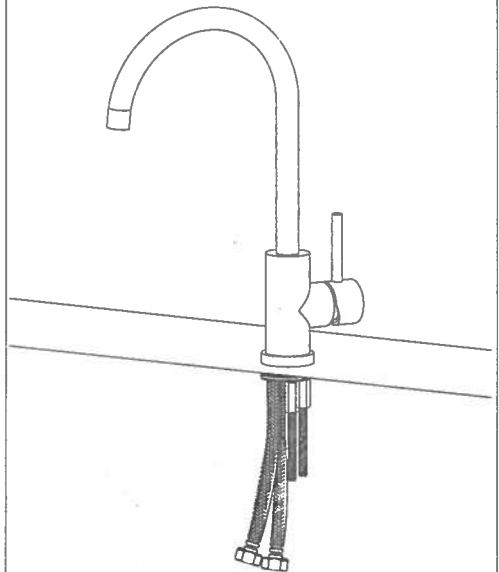
Step ⑥



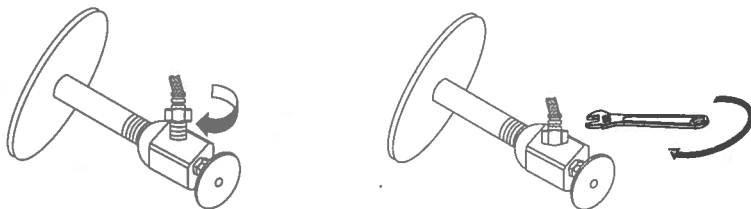
Step ⑦



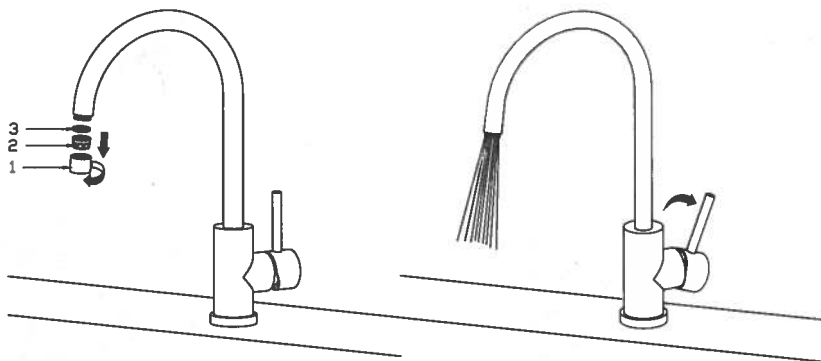
Step ⑧



Step 9



Step 10



Notice:

Please removing all of the sand, silt and other things from the water hose before assembling, to avoid blocking the faucet and effecting water rate. Please use the special tools to disassemble it and wash with pneumatic equipment, if the faucet blocked.