

INSTALLATION INSTRUCTIONS

SSGBH-180160-PT
Profile Shower Seat
LIFESTYLE & WELLNESS®

PLEASE READ THESE INSTALLATION INSTRUCTIONS THOROUGHLY PRIOR TO INSTALLING THIS SHOWER SEAT

IMPORTANT: THIS PRODUCT SHOULD ONLY BE INSTALLED BY QUALIFIED AND TRAINED PERSONNEL

FAILURE TO FOLLOW THESE INSTRUCTIONS COULD LEAD TO IMPROPER INSTALLATION OF THE SHOWER SEAT, STRUCTURAL AND/OR WATER DAMAGE TO THE WALL AND IN-WALL SUPPORT STRUCTURES, AND/OR SERIOUS BODILY INJURY IN USE. IN ADDITION, ALL WARRANTIES, EXPRESS OR IMPLIED, WILL BE NULL & VOID DUE TO IMPROPER INSTALLATION OF THIS PRODUCT. THE MANUFACTURER DOES NOT ASSUME ANY LIABILITY FOR DAMAGE RESULTING FROM SERVICES PERFORMED BY OTHERS, OR FAULTY INSTALLATION, MISUSE OR MISAPPLICATION OF GOODS.

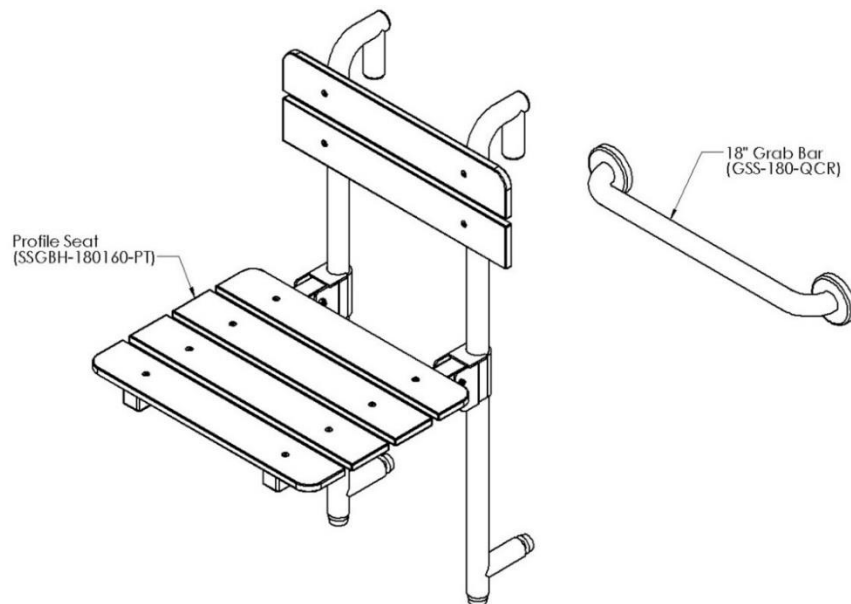
THIS PRODUCT IS DESIGNED TO MEET OR EXCEED ALL LOAD REQUIREMENTS ESTABLISHED IN THE AMERICANS WITH DISABILITIES (ADA) ACT AND/OR FEDERAL SPECIFICATION WW-P-541/8b AT 250 POUNDS OF FORCE. THE PERFORMANCE OF THIS PRODUCT IS SIGNIFICANTLY IMPACTED BY THE STRENGTH AND CONSTRUCTION OF THE WALL TO WHICH IT IS ATTACHED.

TO ASSURE PROPER AND SAFE INSTALLATION, THIS SHOWER SEAT MUST BE INSTALLED INTO A MINIMUM 2" THICK, SOLID WOOD, IN-WALL BACKING MATERIAL. MAKE CERTAIN IN-WALL BACKING COMPLIES WITH ALL LOCAL BUILDING CODE REQUIREMENTS.

This Profile seat MUST be installed and used with the 18" grab bar (GSS-180-QCR) provided and installed as specified. Do NOT use other manufacturer's products, existing or previously installed grab bars in conjunction with this product.

MAXIMUM WEIGHT CAPACITY FOR THIS PRODUCT SHALL NOT EXCEED 250 LBS. WHEN PROPERLY INSTALLED.

- 1. Remove the Profile Shower Seat contents from the shipping carton. Carefully unwrap packaging as the Profile Seat (SSGBH-180160-PT) and Mounting Grab Bar (GSS-180-QCR) are packaged separately inside the carton.**

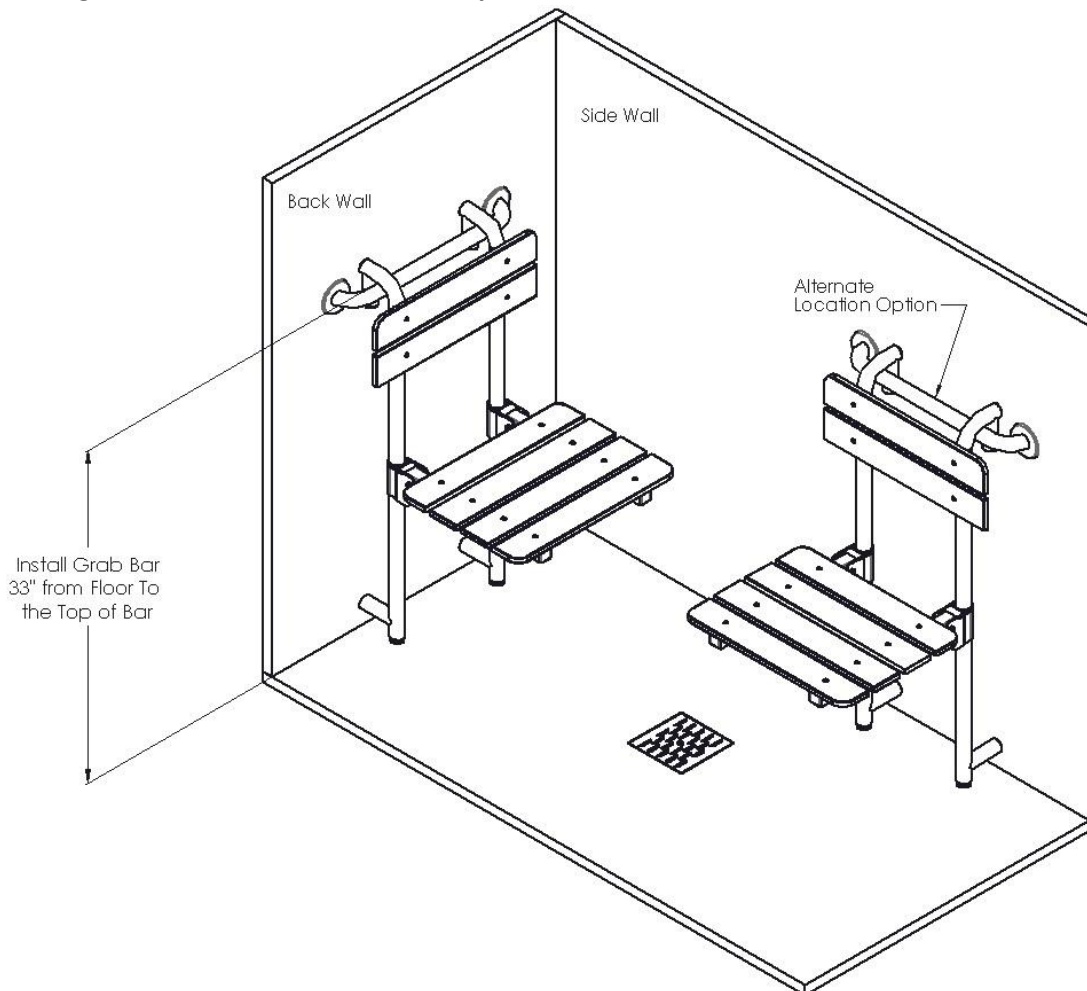


THIS SEAT IS **NOT** FOR USE IN A TUB ENCLOSURE, OR IN AN AREA WHERE A BATH TUB IS LOCATED. THIS SEAT IS DESIGNED EXCLUSIVELY FOR USE IN A SHOWER UNIT WHERE THE WALLS OF THE ENCLOSURE ARE 90 DEGREES PERPENDICULAR TO THE FLOOR, AND WHERE THE LEVELING FEET OF THE SEAT LEGS REST ON A CLEAN, FLAT SURFACE ON THE SHOWER FLOOR.

WARNING:

Serious damage to existing structures and/or physical harm could occur if this product is not used properly. Do NOT stand on the seat at any time.

2. Locating the Shower Seat in the desired position for Walk-in Showers.



Locate the area in the shower enclosure with 2" solid wood in-wall backing.

Measure 33" from the floor to the top of the grab bar. Place the bar in position on the wall. Using a level (not provided) ensure the grab bar is level and pencil-mark the location of the mounting holes on the wall.

Using a pencil or suitable marker, it is ***extremely important*** you mark the center of each of the six (6) mounting holes precisely on the mounting surface.

INSTALLATION INSTRUCTIONS

SSGBH-180160-PT
Profile Shower Seat
LIFESTYLE & WELLNESS®

Proceed cautiously through the following steps in this installation process to avoid drilling into in-wall water supply lines.

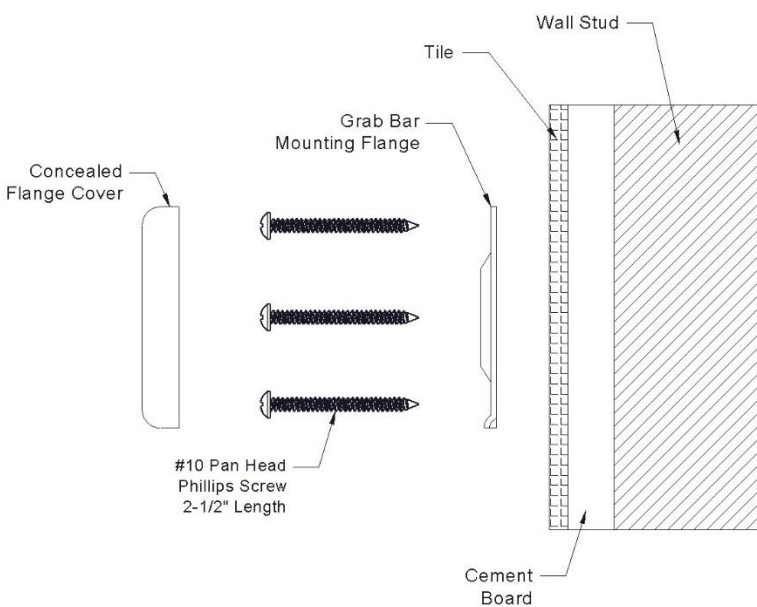
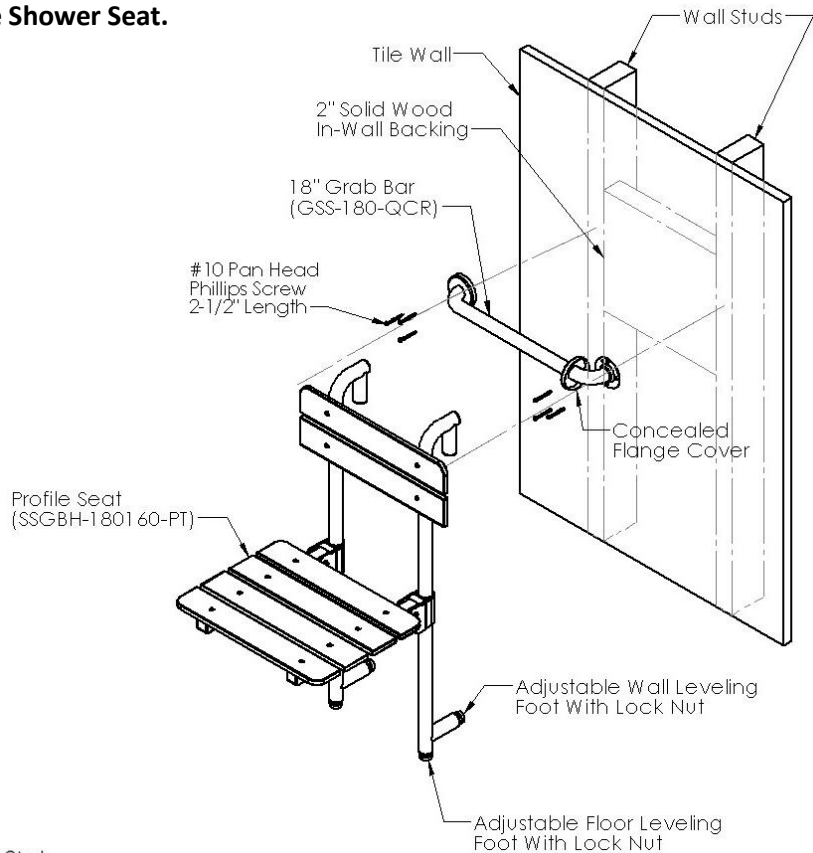
All mounting points must fasten into structural wood backing, minimum 2" thickness.

Avoid electrical and/or plumbing behind the wall, and where possible drill through tile – not through grout.

3. Mounting the Grab Bar and Profile Shower Seat.

Step #1

Use a power drill with a 3/32" Carbide tip drill bit (not provided) and drill at the six (6) locations marked on the wall into the 2" thick solid wood in-wall backing.



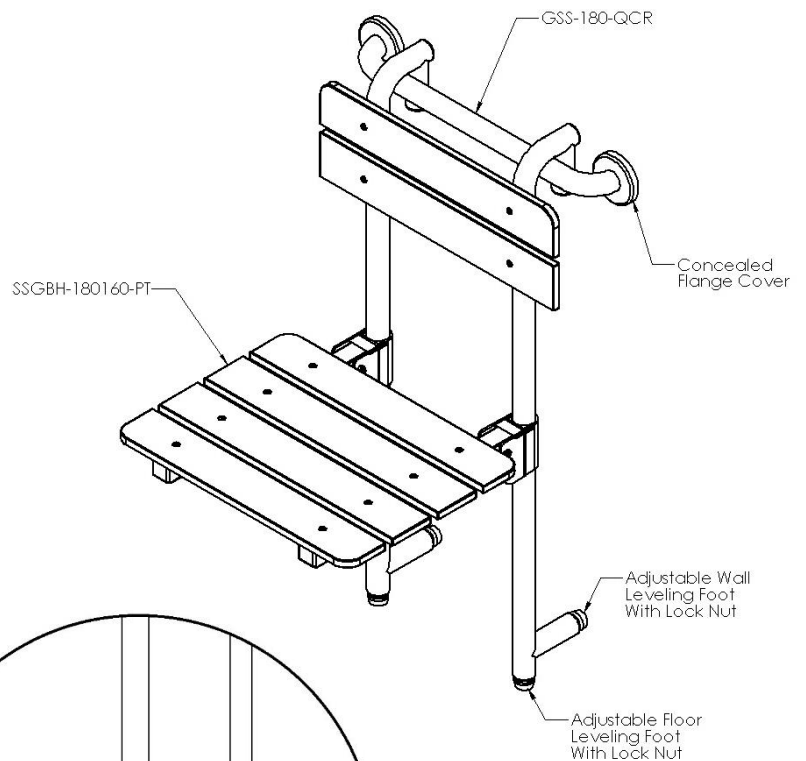
Step #2

Apply a bead of silicone around the Grab Bar Mounting Flanges on the mounting surface to ensure a water-tight seal will be created at all mounting locations. Secure the grab bar to the wall using six (6) #10 x 2-1/2" stainless steel screws (supplied by manufacturer) and screw into the 3/32" holes created in the solid wood backing. **Tighten screws completely AFTER all screws are in place.** Complete the grab bar installation by covering the mounting flanges with the Concealed Flange Covers, snapping them into place.

Step #3

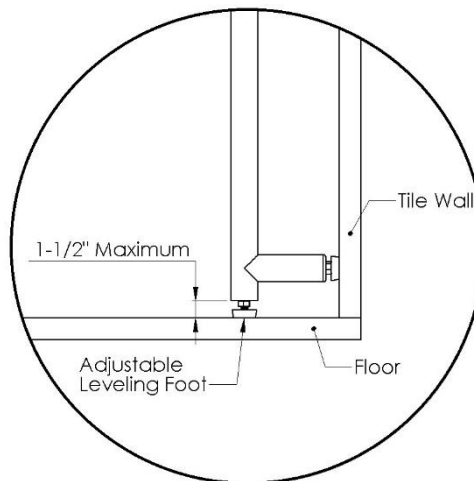
Hang the Profile Seat over the installed grab bar, as shown.

Adjust the two (2) Floor Leveling Feet so the rubber foot pads make full contact with the floor and adjust the two (2) Wall Leveling Feet to ensure full contact with the wall, making sure that the seat surface is horizontal with the floor when in the “down” position (as shown).



Step #4

Leveling feet should extend no more than 1-1/2” from bottom of legs to bottom of leveling foot pads. Once the four (4) leveling feet have been properly adjusted, tighten the lock nut on each leveling foot to secure them into place.



IT IS EXTREMELY IMPORTANT THE PROFILE SEAT DOES NOT REST EXCLUSIVELY ON THE WALL-MOUNTED GRAB BAR, AND THE TWO (2) FLOOR LEVELING FEET MUST BE SECURE ON A CLEAN, FLAT LOCATION ON THE FLOOR OF THE SHOWER ENCLOSURE FOR PROPER USE.

MAXIMUM WEIGHT CAPACITY FOR THIS PRODUCT SHALL NOT EXCEED 250 LBS. WHEN PROPERLY INSTALLED.

Store the Profile Shower Seat in a safe, sanitary location when not in use.

Hardware Provided: (6) #10 X 2-1/2” Phillips Pan Head sheet metal screws.

Tools required: Marking pencil/pen, level, power drill, 3/32” Carbide tip drill bit, #2 phillips driver, silicone.

THIS COMPLETES THE INSTALLATION OF THE PROFILE SHOWER SEAT.