

# INSTALLATION INSTRUCTIONS

700-Series - Coronado  
Towel Bar

**PLEASE READ THESE INSTALLATION INSTRUCTIONS THOROUGHLY PRIOR TO INSTALLING THIS TOWEL BAR**

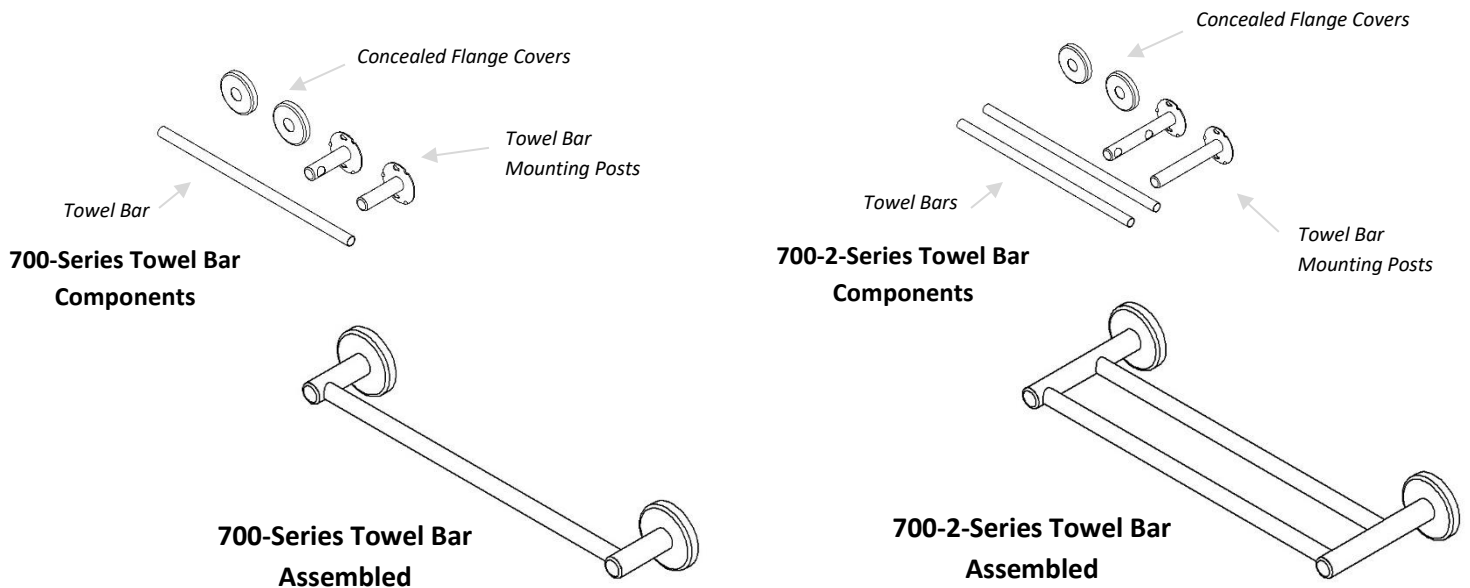
**IMPORTANT: THIS PRODUCT SHOULD ONLY BE INSTALLED BY QUALIFIED AND TRAINED PERSONNEL**

**FAILURE TO FOLLOW THESE INSTRUCTIONS COULD LEAD TO IMPROPER INSTALLATION OF THE TOWEL BAR, STRUCTURAL AND/OR WATER DAMAGE TO THE WALL AND IN-WALL SUPPORT STRUCTURES, AND/OR SERIOUS BODILY INJURY IN USE. IN ADDITION, ALL WARRANTIES, EXPRESS OR IMPLIED, WILL BE NULL & VOID DUE TO IMPROPER INSTALLATION OF THIS PRODUCT. THE MANUFACTURER DOES NOT ASSUME ANY LIABILITY FOR DAMAGE RESULTING FROM SERVICES PERFORMED BY OTHERS, OR FAULTY INSTALLATION, MISUSE OR MISAPPLICATION OF GOODS.**

**TO ASSURE PROPER AND SAFE INSTALLATION, THIS TOWEL BAR MUST BE INSTALLED INTO A MINIMUM 2" THICK, SOLID WOOD, IN-WALL BACKING MATERIAL. MAKE CERTAIN IN-WALL BACKING COMPLIES WITH ALL LOCAL BUILDING CODE REQUIREMENTS.**

## 1. Locating the Towel Bar in the desired position.

Remove the Towel Bar Components from the shipping carton.



Assemble towel bar by sliding the concealed flange covers over the towel bar mounting posts. Insert the towel bar(s) into the holes on both towel bar posts.

Locate the area with 2" solid wood in-wall backing on the desired mounting surface. Place the assembled towel bar in position on the wall. Using a level (not provided) ensure the towel bar is level and pencil-mark the location of the mounting holes on the wall.

Using a pencil or suitable marker, it is **extremely important** you mark the center of each of the four (4) mounting holes precisely on the mounting surface.

**Proceed cautiously through the following steps in this installation process to avoid drilling into in-wall water supply lines.**

**All mounting points must fasten into structural wood backing, minimum 2" thickness.**

**Avoid electrical and/or plumbing behind the wall, and where possible drill through tile – not through grout.**

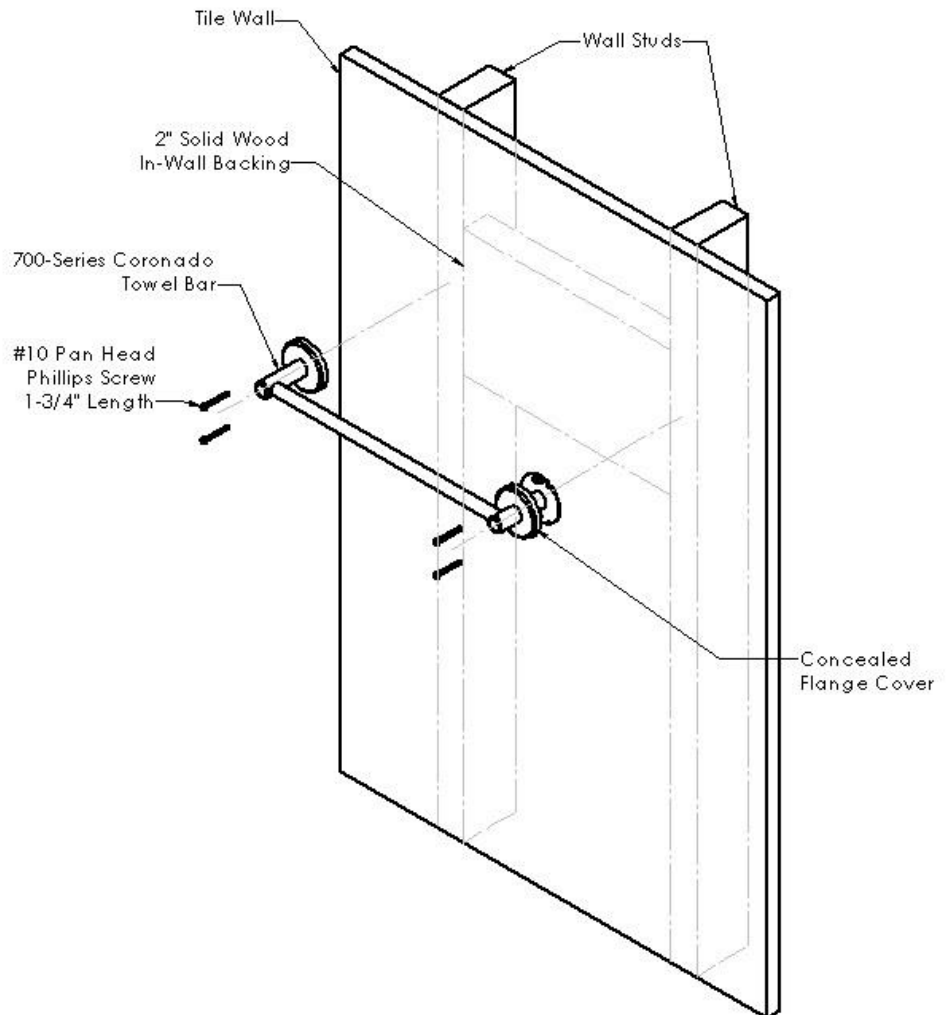
## 2. Mounting the Towel Bar.

### Step #1

Use a power drill with a 3/32" carbide tip drill bit (not provided) and drill at the four (4) locations marked on the wall into the 2" thick solid wood in-wall backing.

### Step #2

Apply a bead of silicone around the towel bar mounting post flange plates on the mounting surface to ensure a water-tight seal will be created at all mounting locations. Secure the assembled towel bar to the wall using four (4) #10 x 1-3/4" Pan Head Phillips screws (supplied by manufacturer) and screw into the 3/32" holes created in the solid wood backing. *Tighten screws completely after ALL screws are in place.* Complete the towel bar installation by covering the mounting posts with the concealed flange covers, snapping them into place.



**To ensure proper and safe installation, the towel bar should not shift in any direction on the mounting surface.**

**Hardware Provided:** (4) #10 x 1-3/4" Pan Head Phillips screws.

**Tools required:** Marking pencil/pen, level, power drill, 3/32" carbide tip drill bit, #2 phillips driver, silicone.

**THIS COMPLETES THE INSTALLATION OF THIS TOWEL BAR.**