

INSTALLATION INSTRUCTIONS

GW-4412 -QNT
Huntington
Shower Valve Grab Bar
LIFESTYLE & WELLNESS®

PLEASE READ THESE INSTALLATION INSTRUCTIONS THOROUGHLY PRIOR TO INSTALLING THIS GRAB BAR

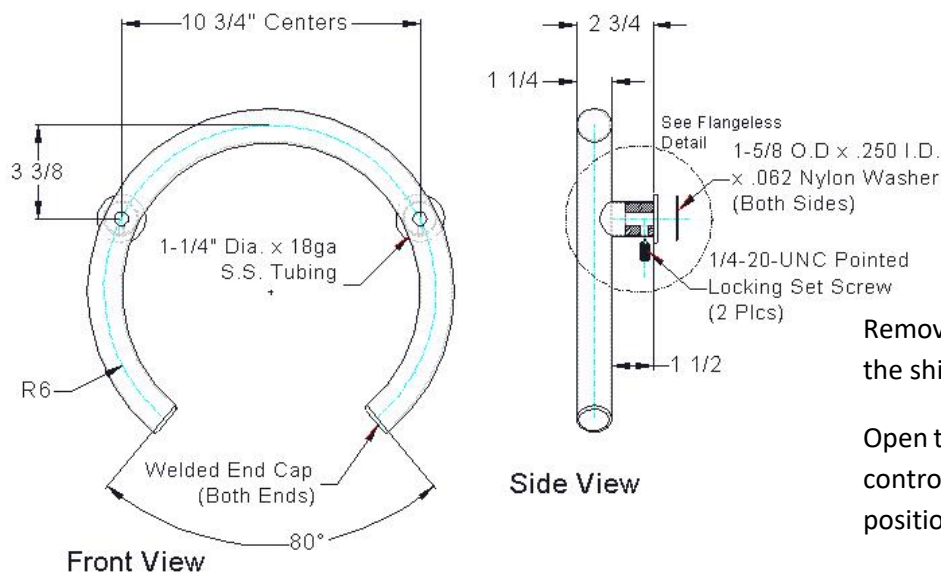
IMPORTANT: THIS PRODUCT SHOULD ONLY BE INSTALLED BY QUALIFIED AND TRAINED PERSONNEL

FAILURE TO FOLLOW THESE INSTRUCTIONS COULD LEAD TO IMPROPER INSTALLATION OF THE GRAB BAR, STRUCTURAL AND/OR WATER DAMAGE TO THE WALL AND IN-WALL SUPPORT STRUCTURES, AND/OR SERIOUS BODILY INJURY IN USE. IN ADDITION, ALL WARRANTIES, EXPRESS OR IMPLIED, WILL BE NULL & VOID DUE TO IMPROPER INSTALLATION OF THIS PRODUCT. THE MANUFACTURER DOES NOT ASSUME ANY LIABILITY FOR DAMAGE RESULTING FROM SERVICES PERFORMED BY OTHERS, OR FAULTY INSTALLATION, MISUSE OR MISAPPLICATION OF GOODS.

THIS PRODUCT IS DESIGNED TO MEET OR EXCEED ALL LOAD REQUIREMENTS ESTABLISHED IN THE AMERICANS WITH DISABILITIES (ADA) ACT AND/OR FEDERAL SPECIFICATION WW-P-541/8b AT 250 POUNDS OF FORCE. THE PERFORMANCE OF THIS PRODUCT IS SIGNIFICANTLY IMPACTED BY THE STRENGTH AND CONSTRUCTION OF THE WALL TO WHICH IT IS ATTACHED.

TO ASSURE PROPER AND SAFE INSTALLATION, THIS GRAB BAR MUST BE INSTALLED INTO A MINIMUM 2" THICK, SOLID WOOD, IN-WALL BACKING MATERIAL. MAKE CERTAIN IN-WALL BACKING COMPLIES WITH ALL LOCAL BUILDING CODE REQUIREMENTS.

1. Locating the Grab Bar in the desired position.



Remove the grab bar and paper template from the shipping carton.

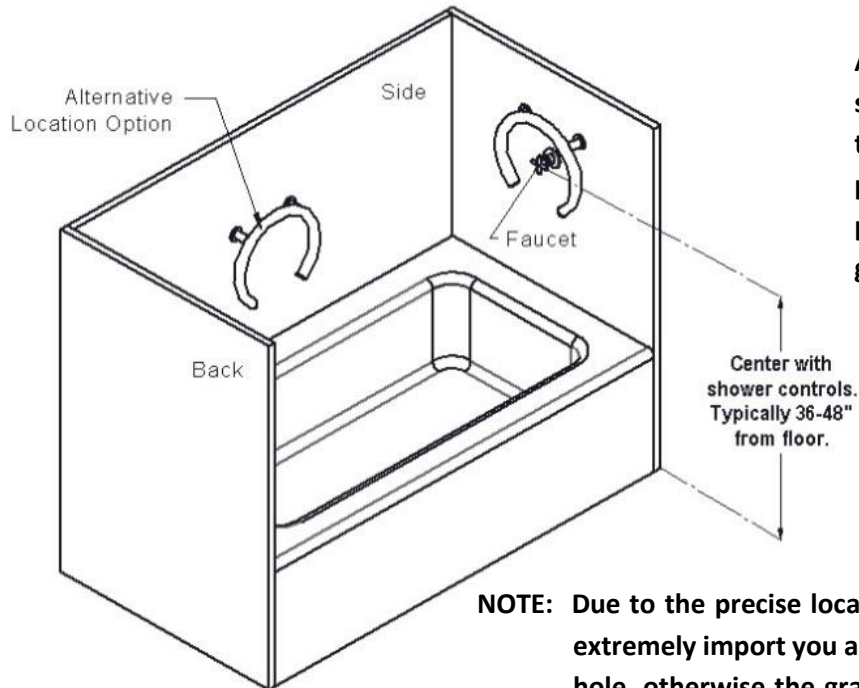
Open the paper template. Center it around the control valve of tub/shower. Tape it into position on the mounting surface.

Using a pencil or suitable marker, it is ***extremely important*** you mark the center of each of the two (2) mounting holes precisely. Ensure shower controls can rotate fully without interference with the grab bar.

INSTALLATION INSTRUCTIONS

GW-4412 -QNT
Huntington
Shower Valve Grab Bar
LIFESTYLE & WELLNESS®

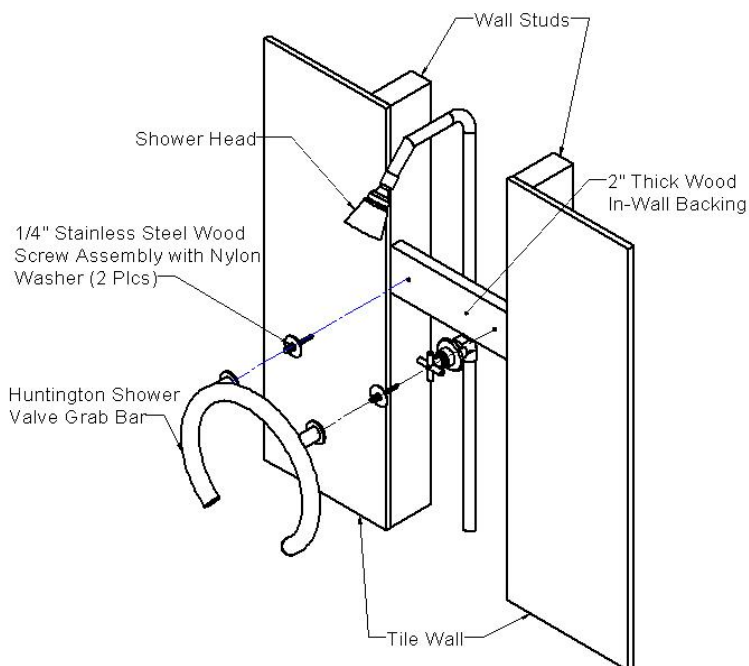
Proceed cautiously through the following steps in this installation process to avoid drilling into in-wall water supply lines.



All mounting points must fasten into structural wood backing, minimum 2" thickness. Avoid electrical and/or plumbing behind the wall, and where possible drill through tile – not through grout.

NOTE: Due to the precise location of the two (2) mounting locations, it is extremely import you accurately mark the centers of each mounting hole, otherwise the grab bar mounting extensions will not fit onto the mounting hardware studs.

2. Mounting the Grab Bar.



Step #1

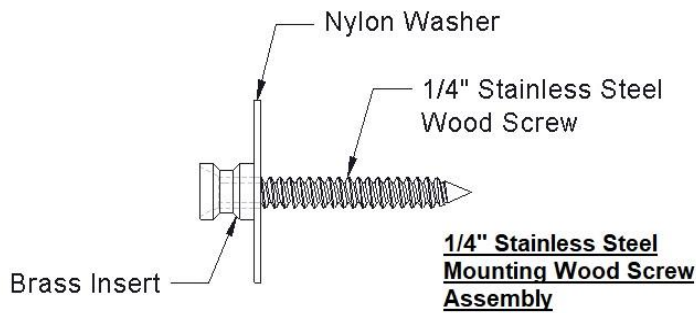
Use a power drill with a 1/8" masonry or carbide drill bit and **drill through the tile only** at the two (2) locations marked on the wall per the template provided. This will create two (2) pilot holes. Drill through the pilot holes with a 1/4" masonry or carbide drill bit to create clearance holes for Step #2. **Drill through the tile only.**

Step #2

Use a power drill with a 3/16" standard drill bit and drill into the 2" thick wood backing in the wall, making sure the 3/16" hole is centered in the 1/4" clearance holes created in the tile from Step #1.

INSTALLATION INSTRUCTIONS

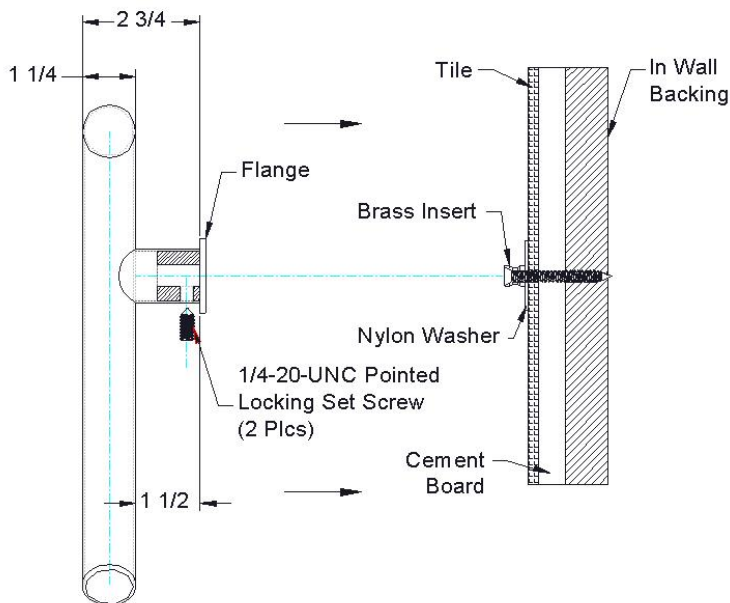
GW-4412 -QNT
Huntington
Shower Valve Grab Bar
LIFESTYLE & WELLNESS®



***Assemble Items as Shown**

Step #3

Take the 1/4" stainless steel mounting wood screw assemblies with the nylon washers (provided) and screw into the solid wood backing at both hole locations, leaving 1/4" gap between the wall and nylon washer. Apply a bead of silicone behind both nylon washers, and tighten the 1/4" stainless steel wood screw until the nylon washer is secure against the wall surface. Make sure a water-tight seal has been created at both mounting post locations.



Step #4

Place the grab bar onto the two (2) mounting wood screw assemblies. Using the 1/8" Allen wrench (provided), tighten each of the two (2) 1/4-20 UNC pointed locking set screws (located on underside of posts) onto the brass insert on the mounting wood screw assemblies. Tighten both set screws until both flanges make full contact with the nylon washers, creating a firm bond between the flange, the nylon washer, and the wall. (It is recommended to add a bead of silicone between flange plate and wall.)

To ensure proper and safe installation, the grab bar should not shift in any direction on the mounting surface.

Hardware Provided: (2) 1/4-20 UNC pointed locking set screws, (2) 1/4" stainless steel wood screw assemblies, (2) nylon washers, 1/4" Allen wrench.

Tools required: Masking tape, marking pencil/pen, Power Drill, 1/8" and 1/4" Masonry or Carbide drill bits, 3/16" Standard drill bit, 7/16" wrench, silicone.

THIS COMPLETES THE INSTALLATION OF THIS GRAB BAR.