

# INSTALLATION INSTRUCTIONS

TriFold Tub Seat

**PLEASE READ THESE INSTALLATION INSTRUCTIONS THOROUGHLY PRIOR TO INSTALLING THIS TUB SEAT**

**IMPORTANT: THIS PRODUCT SHOULD ONLY BE INSTALLED BY QUALIFIED AND TRAINED PERSONNEL**

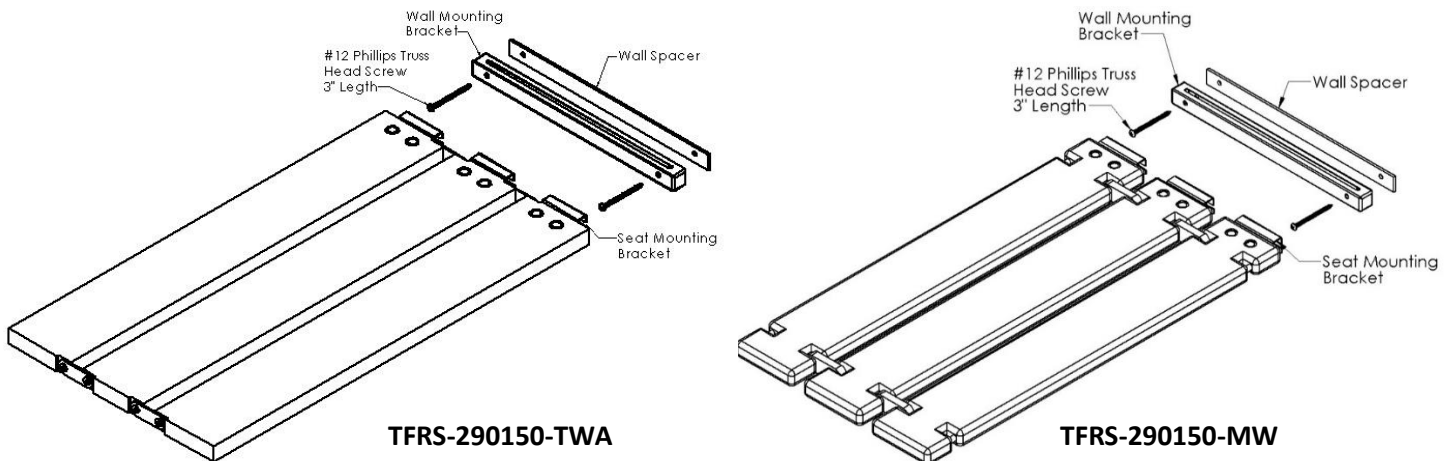
**FAILURE TO FOLLOW THESE INSTRUCTIONS COULD LEAD TO IMPROPER INSTALLATION OF THE TUB SEAT, STRUCTURAL AND/OR WATER DAMAGE TO THE WALL AND IN-WALL SUPPORT STRUCTURES, AND/OR SERIOUS BODILY INJURY IN USE. IN ADDITION, ALL WARRANTIES, EXPRESS OR IMPLIED, WILL BE NULL & VOID DUE TO IMPROPER INSTALLATION OF THIS PRODUCT. THE MANUFACTURER DOES NOT ASSUME ANY LIABILITY FOR DAMAGE RESULTING FROM SERVICES PERFORMED BY OTHERS, OR FAULTY INSTALLATION, MISUSE OR MISAPPLICATION OF GOODS.**

**THIS PRODUCT IS DESIGNED TO MEET OR EXCEED ALL LOAD REQUIREMENTS ESTABLISHED IN THE AMERICANS WITH DISABILITIES (ADA) ACT AND/OR FEDERAL SPECIFICATION WW-P-541/8b AT 250 POUNDS OF FORCE. THE PERFORMANCE OF THIS PRODUCT IS SIGNIFICANTLY IMPACTED BY THE STRENGTH AND CONSTRUCTION OF THE WALL TO WHICH IT IS ATTACHED.**

**TO ASSURE PROPER AND SAFE INSTALLATION, THIS TUB SEAT MUST BE INSTALLED INTO A MINIMUM 2" THICK, SOLID WOOD, IN-WALL BACKING MATERIAL. MAKE CERTAIN IN-WALL BACKING COMPLIES WITH ALL LOCAL BUILDING CODE REQUIREMENTS.**

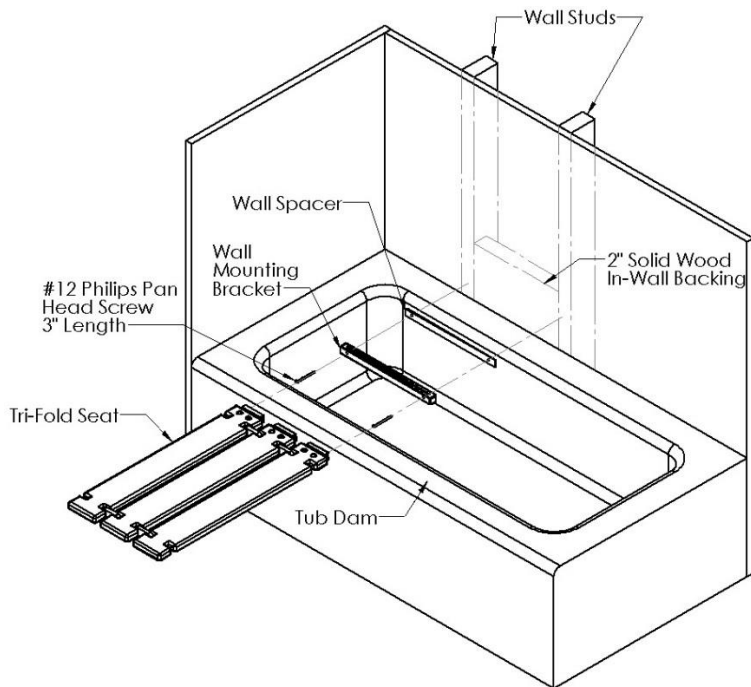
**MAXIMUM WEIGHT CAPACITY FOR THIS PRODUCT SHALL NOT EXCEED 250 LBS. WHEN PROPERLY INSTALLED.**

- 1. Remove the TriFold Tub Seat from the shipping carton. Carefully unwrap packaging and locate the Wall Mounting Bracket, Wall Spacer and (2) #12 x 3" Phillips Truss Head 18-8 stainless steel sheet metal screws included in the Hardware Pack. (See Diagram A)**



*Diagram A*

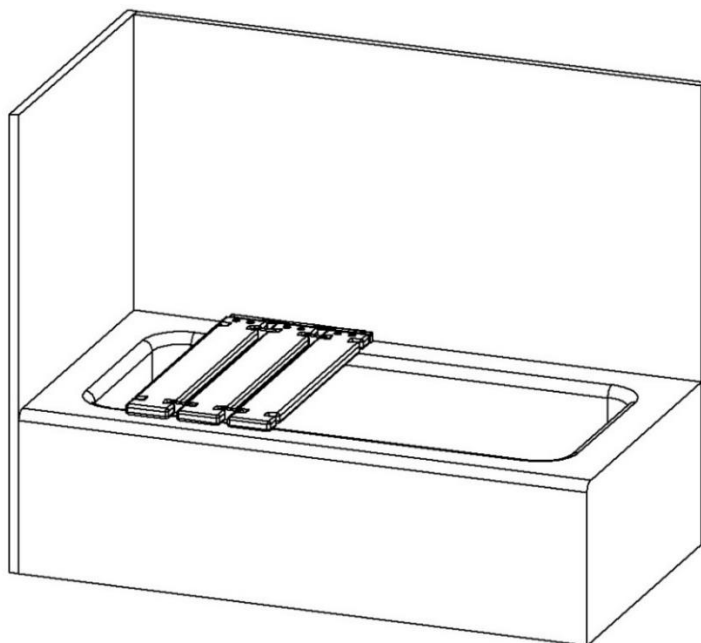
## 2. Locating the Tub Seat in the desired position for Tub Enclosures.



Locate the area with 2" solid wood in-wall backing. Determine desired seat height. The wall mounting bracket ***MUST*** be installed into the 2" solid wood in-wall backing.

To ensure proper fit, place the wall mounting bracket on the wall in the desired location. Evaluate the position of the seat in the tub by unfolding and inserting the three (3) seat mounting brackets located on each slat into the wall mounting bracket slot. Ensure the seat slats extend to the opposite side of the tub and rest securely on the tub dam. (See Diagram B)

**If the three (3) seat slats do not extend to, and rest securely on the tub dam, do NOT install this seat as it is NOT compatible with the tub. Use of the TriFold Tub Seat under such conditions could result in personal injury and/or damage to property.**



Once the proper fit of the tub seat is confirmed, place a level along the top of the wall mounting bracket to ensure the bracket is mounted in a secure and level position on the wall. The wall mounting bracket cannot be attached to, or come in-contact with, any portion of the tub and ***MUST*** be mounted on a flat surface.

With a pencil or suitable marker, mark the top leveled position and sides of the wall mounting bracket on the wall. Using the wall spacer as a template, position the wall spacer below the marked level line on the wall. Mark the center of the two (2) mounting holes of the wall spacer precisely on the mounting surface.

Diagram B

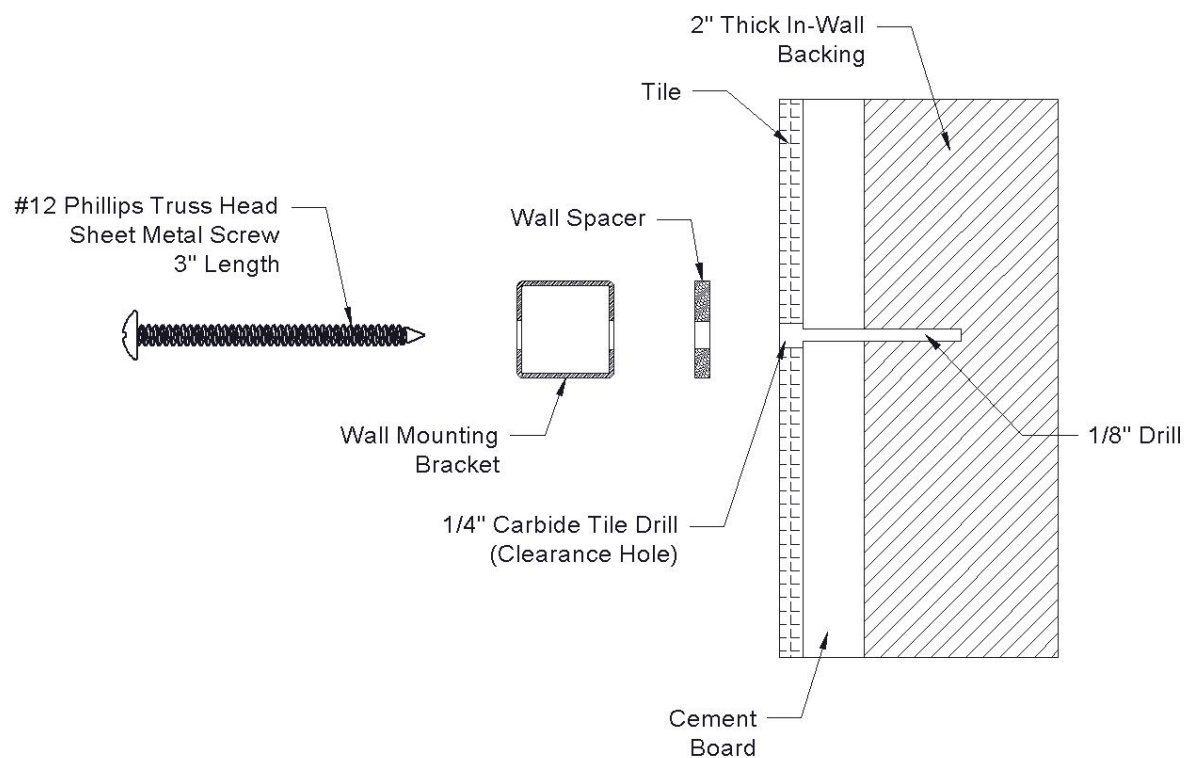
*Proceed cautiously through the following steps in this installation process to avoid drilling into in-wall water supply lines.*

### 3. Mounting the TriFold Tub Seat in Tiled Wall Tub Enclosures.

**All mounting points must fasten into structural wood backing, minimum 2" thickness.  
Avoid electrical and/or plumbing behind the wall, and where possible drill through tile – not through grout.**

#### Step #1

**Drill through the tile only** with a 1/4" Carbide tile drill bit (not provided) at the two (2) locations marked on the wall to create clearance holes, leaving a center point mark in the cement board backing to use as a guide for Step #2.



## Step #2

Use a power drill with a 1/8" Standard drill bit (not provided) and drill into the 2" thick solid wood backing in the wall, using the center point guide marks created in Step# 1.

Fill the clearance holes on the mounting surface with silicone to ensure a water-tight seal will be created at both mounting locations.

## Step #3

Align the wall spacer and wall mounting bracket with the drilled holes and fasten them to the wall using the two (2) #12 x 3" Phillips Truss Head sheet metal screws (supplied by manufacturer).

Tighten securely.

Insert the three (3) seat mounting brackets, located on each slat, into the wall mounting bracket slot. Slide the seat mounting brackets along the wall mounting bracket slot until the slats lay flat and the seat top is locked in place.

***To ensure proper and safe installation, the tub seat slats MUST extend to, and rest securely on the tub dam, and the seat should not shift in any direction on the mounting surface.***

### Hardware provided for Installation in Tiled Wall Tub Enclosures:

- (1) 1" x 1" x 14-3/4" Wall Mounting Bracket
- (1) Black Polypropylene Wall Spacer,
- (2) #12 x 3" Phillips Truss Head sheet metal screws

### Hardware provided for Factory Installation Only:

- (2) 1/4-20 x 2-1/2" Phillips Truss Head machine screws
- (2) 1/4-20 Nylon Lock Nuts
- (2) 1/4" x 1" O.D. Flat Washer

### Tools required:

Marking pencil/pen, level, power drill, 1/4" Carbide tile drill bit, 1/8" Standard drill bit, #3 phillips driver, silicone.

***THIS COMPLETES THE INSTALLATION OF THE TRIFOLD TUB SEAT.***