

INSTALLATION INSTRUCTIONS

Silhouette Comfort
Tub/Shower Seat
LIFESTYLE & WELLNESS®

PLEASE READ THESE INSTALLATION INSTRUCTIONS THOROUGHLY PRIOR TO INSTALLING THIS TUB/SHOWER SEAT

IMPORTANT: THIS PRODUCT SHOULD ONLY BE INSTALLED BY QUALIFIED AND TRAINED PERSONNEL

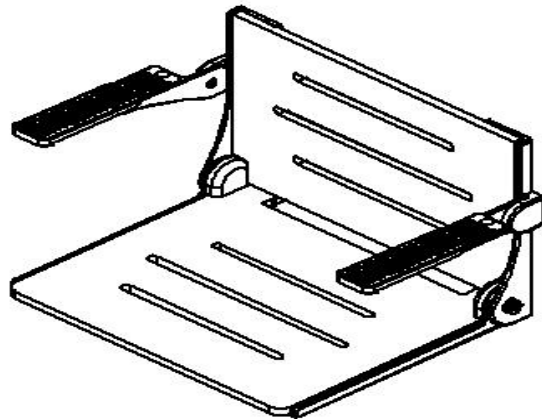
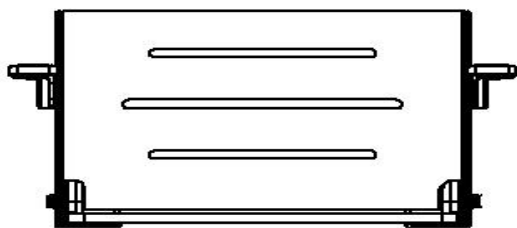
FAILURE TO FOLLOW THESE INSTRUCTIONS COULD LEAD TO IMPROPER INSTALLATION OF THE TUB/SHOWER SEAT, STRUCTURAL AND/OR WATER DAMAGE TO THE WALL AND IN-WALL SUPPORT STRUCTURES, AND/OR SERIOUS BODILY INJURY IN USE. IN ADDITION, ALL WARRANTIES, EXPRESS OR IMPLIED, WILL BE NULL & VOID DUE TO IMPROPER INSTALLATION OF THIS PRODUCT. THE MANUFACTURER DOES NOT ASSUME ANY LIABILITY FOR DAMAGE RESULTING FROM SERVICES PERFORMED BY OTHERS, OR FAULTY INSTALLATION, MISUSE OR MISAPPLICATION OF GOODS.

THIS PRODUCT IS DESIGNED TO MEET OR EXCEED ALL LOAD REQUIREMENTS ESTABLISHED IN THE AMERICANS WITH DISABILITIES (ADA) ACT AND/OR FEDERAL SPECIFICATION WW-P-541/8b AT 250 POUNDS OF FORCE. THE PERFORMANCE OF THIS PRODUCT IS SIGNIFICANTLY IMPACTED BY THE STRENGTH AND CONSTRUCTION OF THE WALL TO WHICH IT IS ATTACHED.

TO ASSURE PROPER AND SAFE INSTALLATION, THIS TUB/SHOWER SEAT MUST BE INSTALLED INTO A MINIMUM 2" THICK, SOLID WOOD, IN-WALL BACKING MATERIAL. MAKE CERTAIN IN-WALL BACKING COMPLIES WITH ALL LOCAL BUILDING CODE REQUIREMENTS.

MAXIMUM WEIGHT CAPACITY FOR THIS PRODUCT SHALL NOT EXCEED 400 LBS. WHEN PROPERLY INSTALLED.

1. Remove the Silhouette Comfort Tub/Shower Seat from the shipping carton. Carefully unwrap packaging as the Seat Back Rest and mounting screws are packaged separately inside the carton.



2. Locating the Silhouette Comfort Seat in the desired position for Walk-in Showers and Tub Enclosures.

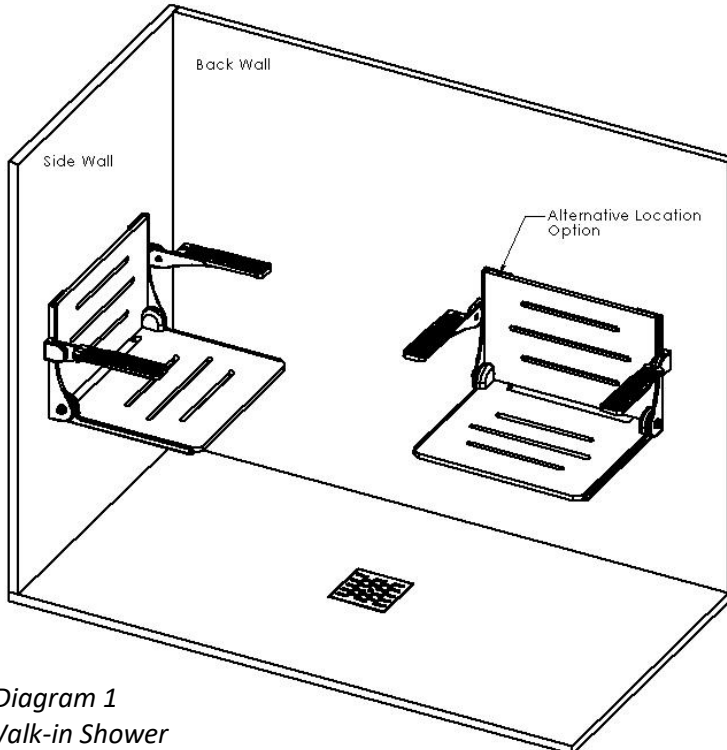


Diagram 1
Walk-in Shower

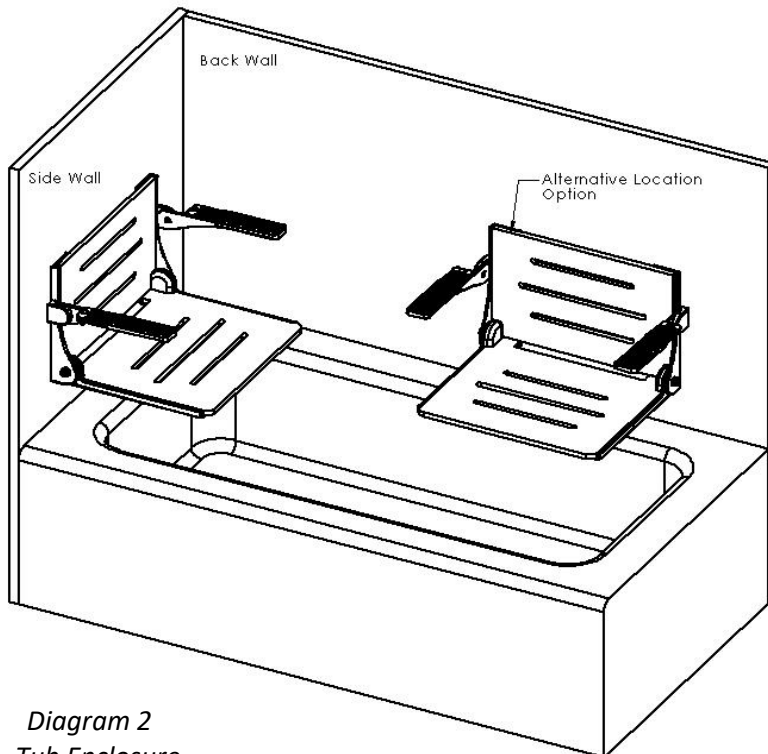


Diagram 2
Tub Enclosure

Remove and open the paper mounting template from the shipping carton.

Locate the area with 2" solid wood in-wall backing. Determine desired seat height (ADA requirements stipulate a seat height of 17" – 19" from the floor). Using the mounting template (supplied by manufacturer), align hole centerlines with the in-wall backing. Using a level (not provided) ensure the "Top of Seat Frame Mounting Bracket" line is level. (See Diagram 3)

Tape the mounting template into position on the mounting surface.

When installing the seat in a tub enclosure, place the shower seat in the open position (as shown in Diagrams 1 & 2) against the mounting template, prior to installation, to ensure the bottom of the seat will clear the tub dam. (See Diagram 2)

Using a pencil or suitable marker, it is ***extremely important*** you mark the center of each of the four (4) mounting holes precisely on the mounting surface. (See Diagram 3)

Proceed cautiously through the following steps in this installation process to avoid drilling into in-wall water supply lines.

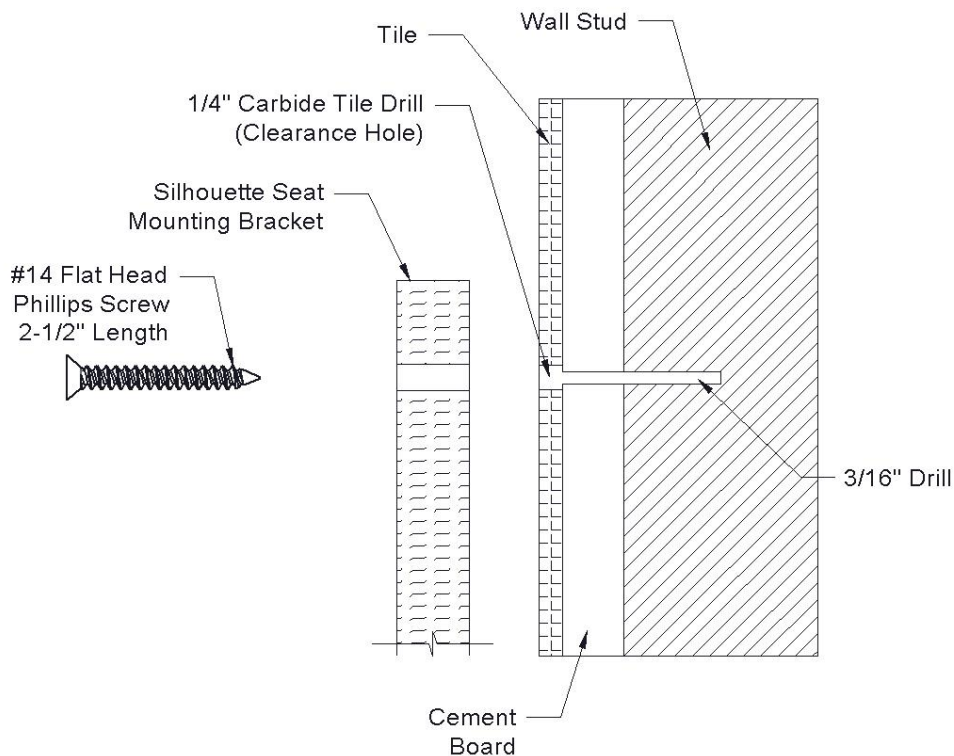
3. Mounting the Silhouette Comfort Seat in Tiled Wall Enclosure.

All mounting points must fasten into structural wood backing, minimum 2" thickness.

Avoid electrical and/or plumbing behind the wall, and where possible drill through tile – not through grout.

Step #1

Drill through the **tile only** with a 1/4" Carbide tile drill bit (not provided) at the four (4) locations marked on the wall to create clearance holes, leaving a center point mark in the cement board backing to use as a guide for Step #2.



Step #2

Use a power drill with a 3/16" Standard drill bit (not provided) and drill into the 2" thick solid wood backing in the wall, using the center point guide marks created in Step #1. Fill the clearance holes on the mounting surface with silicone to ensure a water-tight seal will be created at all mounting locations.

INSTALLATION INSTRUCTIONS

Silhouette Comfort
Tub/Shower Seat
LIFESTYLE & WELLNESS®

Step #3

Secure the Seat Mounting Brackets to the wall using the four (4) #14 Flat Head Phillips sheet metal screws (supplied by manufacturer) and screw into the solid wood backing, starting with the top two hole locations. (See Diagram 3).

Secure the Seat Mounting Brackets with the mounting screws but DO NOT tighten the mounting screws completely.

Step #4

Fully insert the Arm Rest Brackets into the cutouts on both sides of the Seat Mounting Brackets until they fit snug inside the cutouts when flush on the mounting surface. (See Diagram 4).

Using a pencil or suitable marker, mark the center of each of the four (4) mounting holes on the Arm Rest Brackets precisely on the mounting surface. Repeat steps #1 and #2 to mount the Arm Rests on the mounting surface.

Secure the Arm Rest Brackets to the wall using the four (4) #14 Flat Head Phillips sheet metal screws (supplied by manufacturer) and screw into the solid wood backing, starting with the top two hole locations. (See Diagram 4)

Secure the Arm Rest Brackets with the mounting screws but DO NOT tighten the mounting screws completely.

Step #5

Tighten the four (4) screws on both of the Arm Rest Brackets, then tighten the four (4) screws on the Seat Mounting Brackets so that ALL eight (8) screws have been tightened completely.

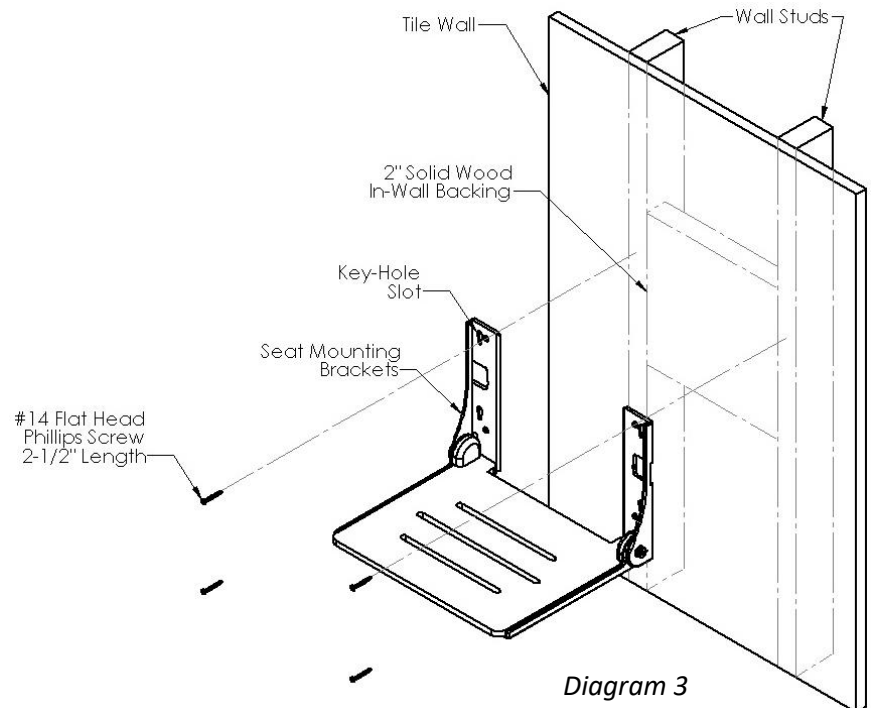


Diagram 3

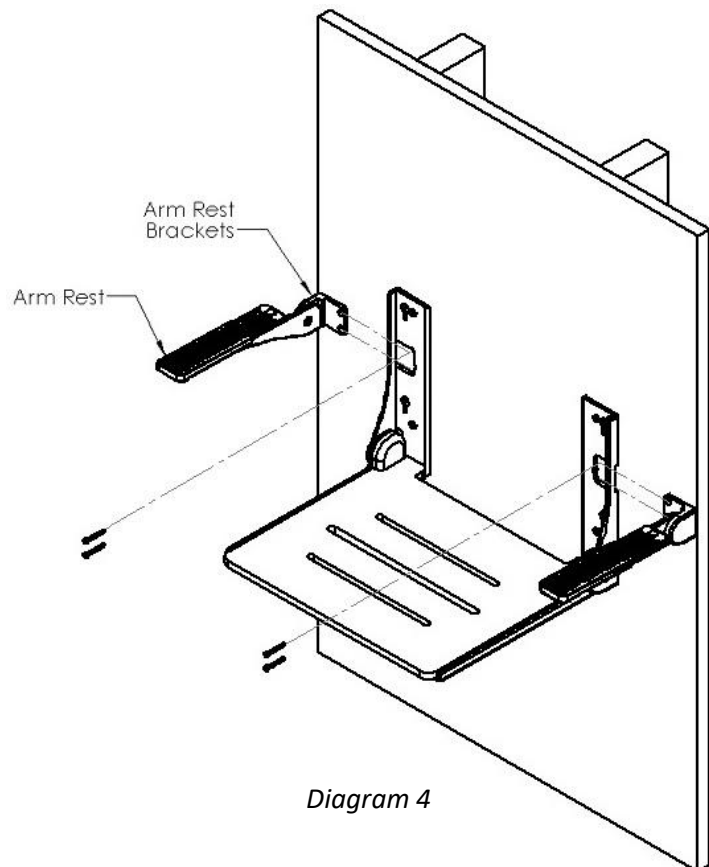
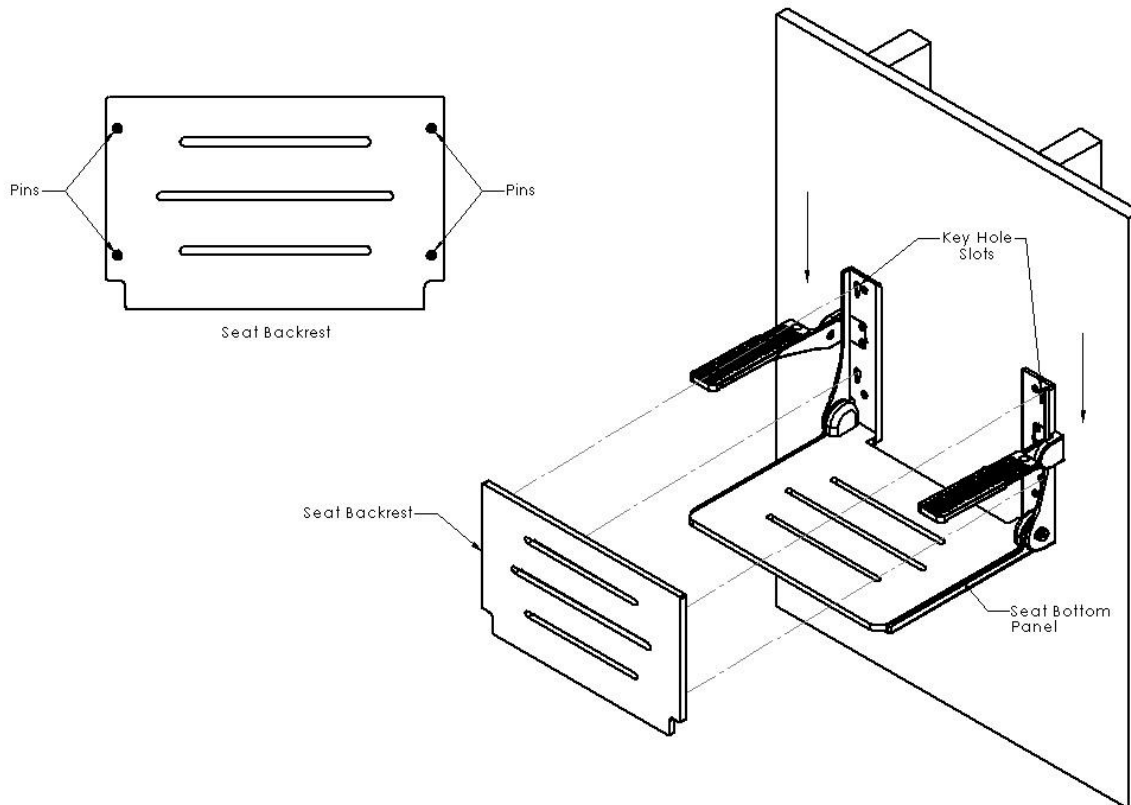


Diagram 4

4. Attaching Seat Backrest to Seat Frame

Once all eight (8) screws have been tightened, install the Seat Backrest by placing the four (4) pins attached to the backside of the phenolic seat backrest panel into the four (4) Key Hole Slots on the Seat Mounting Brackets. The backrest panel should easily slide down approximately ½" until secure in its normal position. Make certain all four (4) pins are engaged in each Key Hole Slot.

To remove the Seat Backrest, slide the backrest panel up approximately ½" so the four (4) pins align with the enlarged portion of the Key Hole Slots on the Seat Mounting Brackets, and pull the Backrest away from the frame.



NOTE:

The Seat Bottom Panel is attached to the aluminum frame at the factory using high-strength VHB tape. Do **NOT** attempt to remove the Seat Bottom Panel from the seat frame as it may cause severe damage to the seat.

To ensure proper and safe installation, the Silhouette Comfort Seat should not shift in any direction on the mounting surface.

Hardware Provided: (8) #14 Flat Head Phillips sheet metal screws 2-1/2" length.

Tools required: Marking pencil/pen, level, masking tape, power drill, 1/4" Carbide tile drill bit, 3/16" Standard drill bit, #3 phillips driver, silicone.

THIS COMPLETES THE INSTALLATION OF THE SILHOUETTE COMFORT TUB/SHOWER SEAT