

INSTALLATION INSTRUCTIONS

Corner Shower Shelf
CORONADO 700 SERIES
W-SC306 & W-SC300 SERIES

PLEASE READ THESE INSTALLATION INSTRUCTIONS THOROUGHLY PRIOR TO INSTALLING THIS SHOWER SHELF

IMPORTANT: THIS PRODUCT SHOULD ONLY BE INSTALLED BY QUALIFIED AND TRAINED PERSONNEL

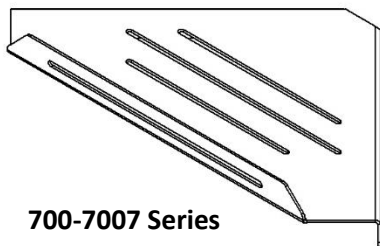
FAILURE TO FOLLOW THESE INSTRUCTIONS COULD LEAD TO IMPROPER INSTALLATION OF THE SHOWER SHELF, STRUCTURAL AND/OR WATER DAMAGE TO THE WALL AND IN-WALL SUPPORT STRUCTURES, AND/OR SERIOUS BODILY INJURY IN USE. IN ADDITION, ALL WARRANTIES, EXPRESS OR IMPLIED, WILL BE NULL & VOID DUE TO IMPROPER INSTALLATION OF THIS PRODUCT. SEACHROME CORPORATION DOES NOT ASSUME ANY LIABILITY FOR DAMAGE RESULTING FROM SERVICES PERFORMED BY OTHERS, OR FAULTY INSTALLATION, MISUSE OR MISAPPLICATION OF GOODS.

THE PERFORMANCE OF THIS PRODUCT IS SIGNIFICANTLY IMPACTED BY THE STRENGTH AND CONSTRUCTION OF THE WALL TO WHICH IT IS ATTACHED.

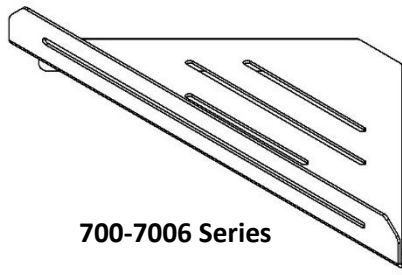
TO ASSURE PROPER AND SAFE INSTALLATION, THIS SHOWER SHELF MUST BE INSTALLED INTO A MINIMUM 2" THICK, SOLID WOOD, IN-WALL BACKING MATERIAL. MAKE CERTAIN IN-WALL BACKING COMPLIES WITH ALL LOCAL BUILDING CODE REQUIREMENTS.

DO NOT EXCEED 50 POUNDS OF FORCE IN USE OF THIS PRODUCT.

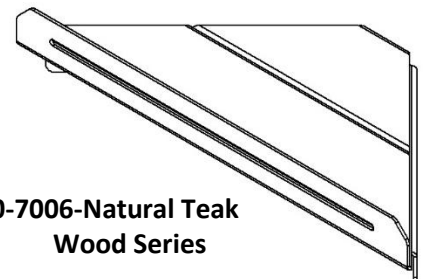
- 1. Remove the Corner Shower Shelf from the shipping carton.**



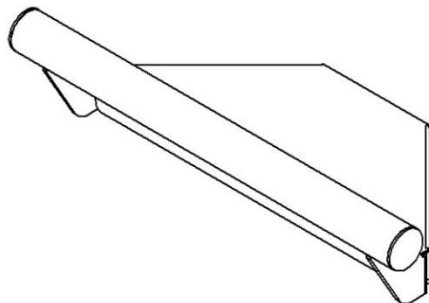
700-7007 Series



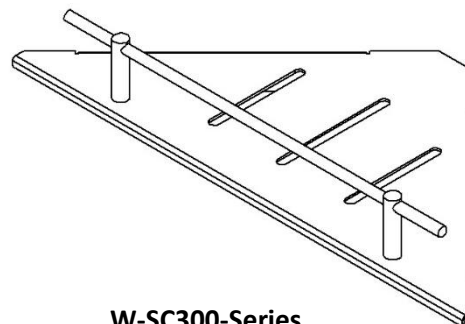
700-7006 Series



700-7006-Natural Teak Wood Series

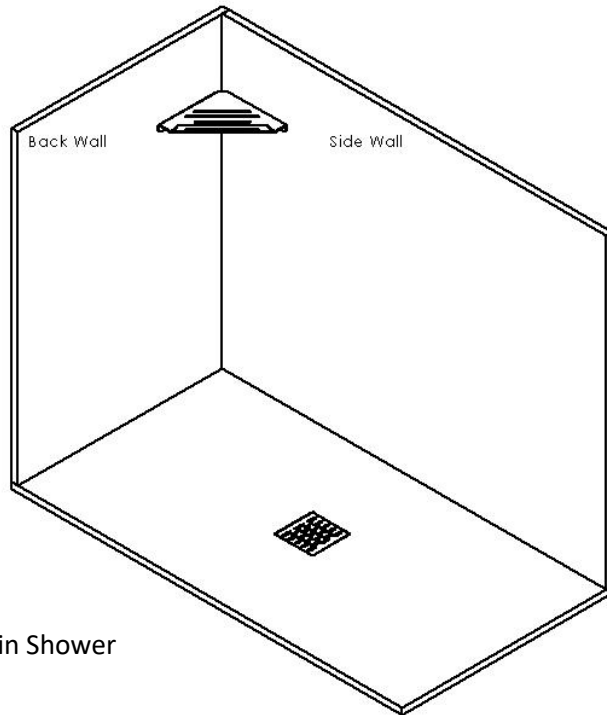


W-SC306-Series



W-SC300-Series

2. Locating the Corner Shower Shelf in the desired position.

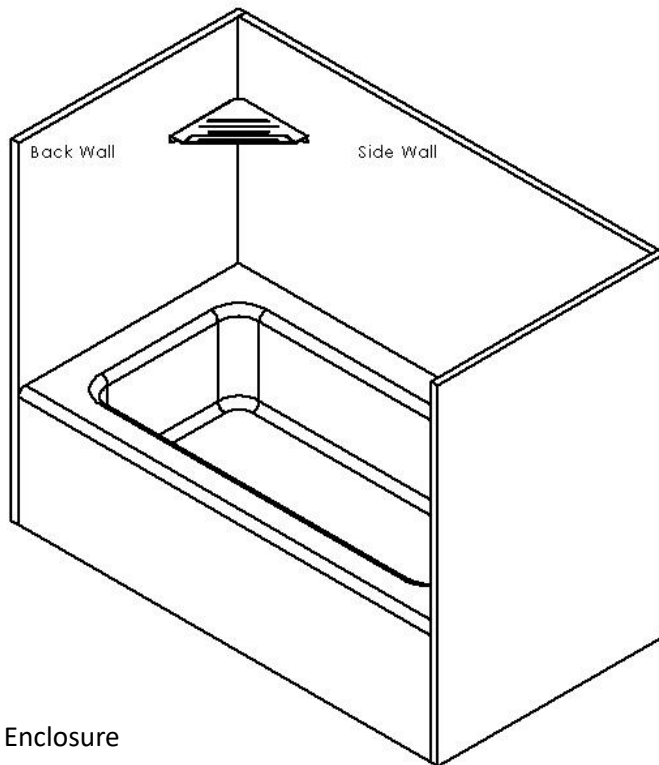


Walk-in Shower

Locate and ensure the area where the shelf is to be mounted is reinforced with 2" solid wood in-wall backing.

Determine desired shelf height. Using the shelf as a template, align the hole centerlines with the 2" solid wood in-wall backing.

Mark the top center of the mounting hole slots with a marking pencil/pen.



Tub Enclosure

It is ***extremely important*** you mark the center of each of the four (4) mounting holes precisely on the mounting surface.

INSTALLATION INSTRUCTIONS

Corner Shower Shelf
CORONADO 700 SERIES
W-SC306 & W-SC300 SERIES

Proceed cautiously through the following steps in this installation process to avoid drilling into in-wall water supply lines.

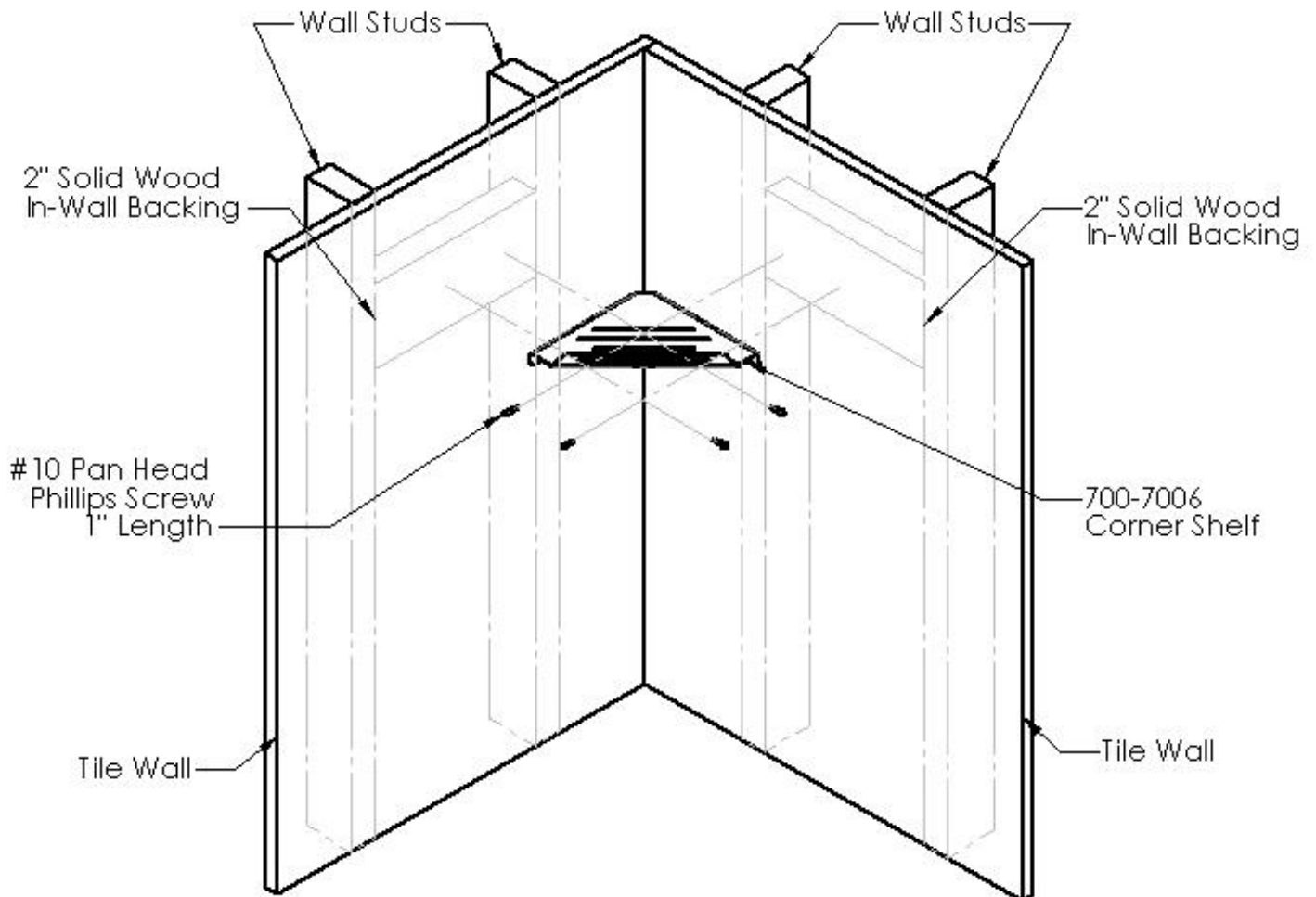
All mounting points must fasten into structural wood backing, minimum 2" thickness.

Avoid electrical and/or plumbing behind the wall, and where possible drill through tile – not through grout.

3. Mounting the Corner Shower Shelf.

Step #1

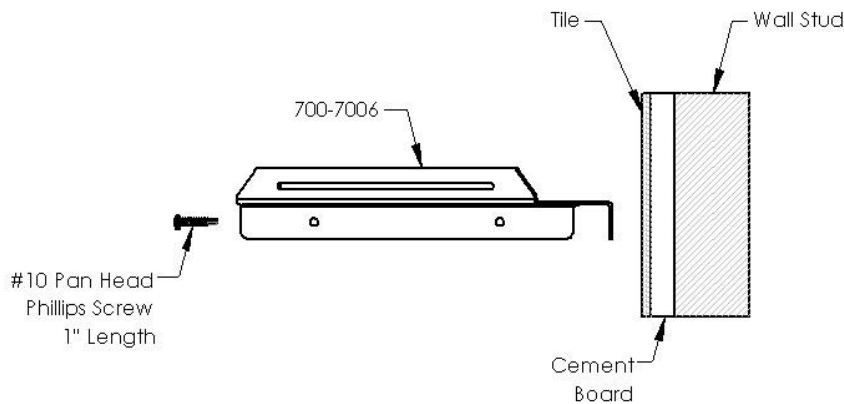
Use a power drill with a 1/8" masonry or carbide drill bit (not provided) and drill at the four (4) locations marked on the wall into the 2" thick solid wood in-wall backing.



Step #2

Fill the holes on the mounting surface with silicone to ensure a water-tight seal will be created at all mounting locations. Secure the Shelf Mounting Bracket to the wall using the (4) #10 Pan Head Phillips sheet metal screws (provided) and screw **INTO 2" THICK, SOLID WOOD IN-WALL BACKING MATERIAL**.

Tighten screws completely after ALL (4) screws are in place.



***To ensure proper and safe installation, the shower shelf should not shift in any direction on the mounting surface.
Do NOT exceed 50 pounds of force in use of this product.***

Hardware Provided: (4) #10 Pan Head Phillips sheet metal screws 1" length.

Tools required: Marking pencil/pen, level, power drill, 1/8" Carbide tip drill bit, silicone.

THIS COMPLETES THE INSTALLATION OF THIS SHOWER SHELF.