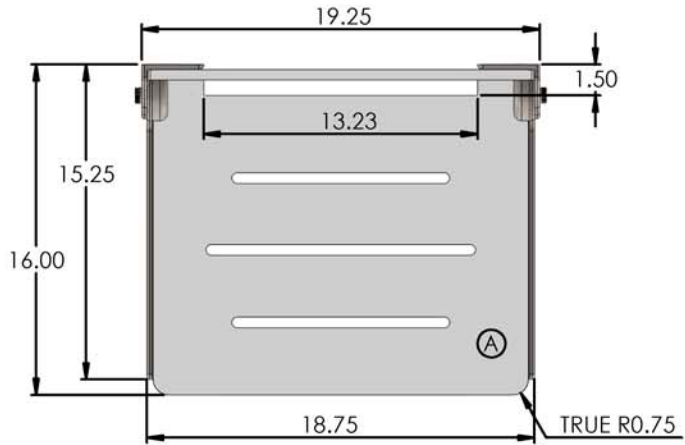
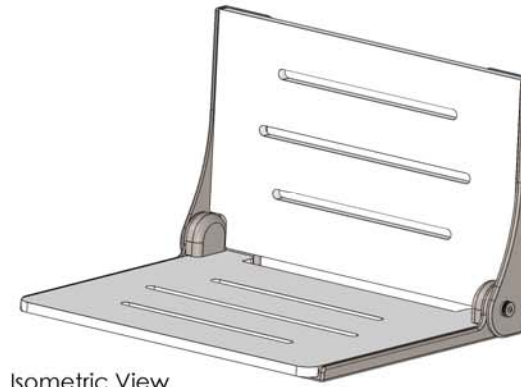


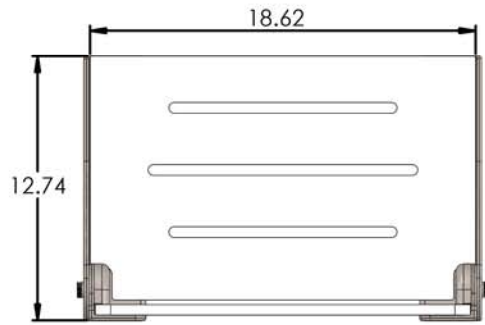
LIFESTYLE & WELLNESS



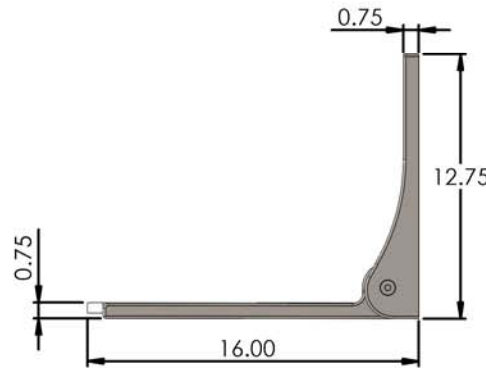
Top View



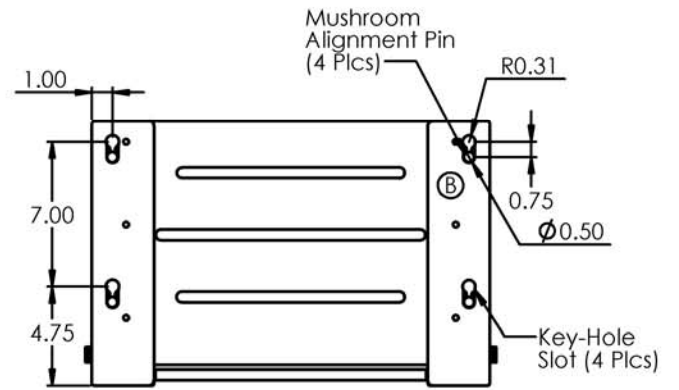
Isometric View



Front View



Side View



Rear View

REVISIONS

REV.	DESCRIPTION	DATE
A	Added 1-1/2" wall clearance, seat top lengthened, drain slot pattern changed, and radius added to front corners.	9/30/2016
B	Removable Back Rest added	5/2/2017

PROPRIETARY AND CONFIDENTIAL
 THE INFORMATION CONTAINED IN THIS DRAWING IS THE SOLE PROPERTY OF SEACHROME CORPORATION. ANY REPRODUCTION IN PART OR AS A WHOLE WITHOUT THE WRITTEN PERMISSION OF SEACHROME CORPORATION IS PROHIBITED.

UNLESS OTHERWISE SPECIFIED:	
DIMENSIONS ARE IN INCHES	
TOLERANCES:	
FRACTIONAL: ±	
ANGULAR: MACH ± BEND ±	
TWO PLACE DECIMAL ±	
THREE PLACE DECIMAL ±	
INTERPRET GEOMETRIC TOLERANCING PER:	
MATERIAL	White Phenolic Seat
FINISH	White Powder Coat Frame
NEXT ASSY	USED ON
APPLICATION	DO NOT SCALE DRAWING

NAME	DATE
DRAWN: Ayala	05-10-17
CHECKED:	
ENG APPR.	
MFG APPR.	
Q.A.	

Seachrome Corporation		
TITLE: Silhouette High Back Seat 18" One-Piece White Phenolic with Standard Slot Pattern w/ White Powder Coat Frame		
SIZE B	DWG. NO. SHAF-185155-PWS-S-WT	REV. B
SCALE: 1:5	WEIGHT:	SHEET 1 OF 1

4

3

2

1

B

B

A

A