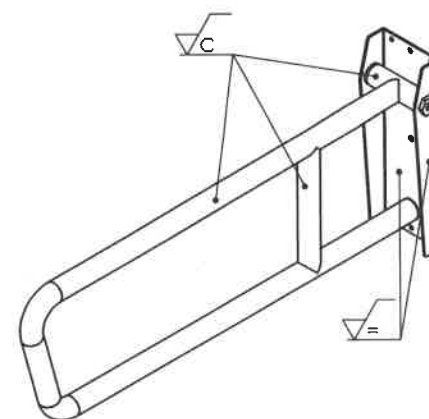
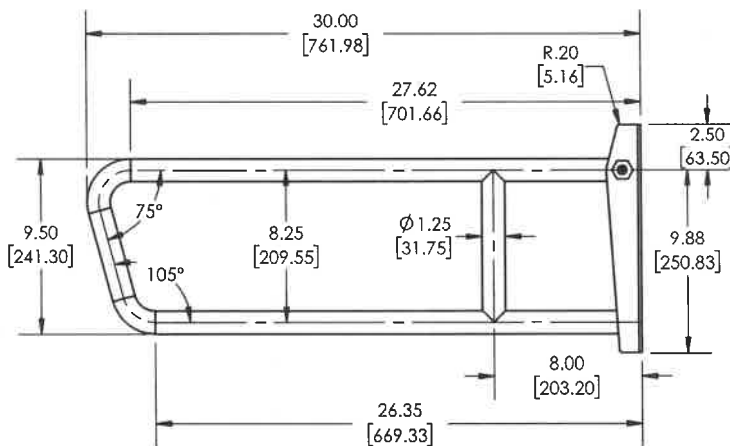
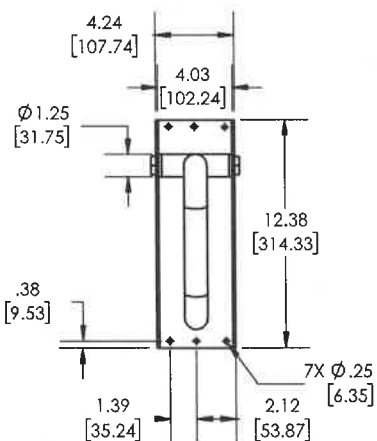


CUSTOMER SPECIFICATION DWG

NOTES:

- D 1. DIMENSIONS IN BRACKETS [] ARE MILLIMETERS, FOR REFERENCE ONLY.
 2. GRAIN DIRECTION PER ASME Y14.36M-1996 FOR SS SATIN FINISHES ONLY.



B PRODUCT SPECIFICATION

-CLIENT:
 -MATERIAL: AISI 304

-AVAILABLE FINISHES (PN)

- | | |
|-----------------------------|--------------|
| 1. SATIN STAINLESS STEEL | GW-4130-Q-SS |
| 2. POLISHED STAINLESS STEEL | GW-4130-Q-PS |

-POWDER COAT (PN)

- | | |
|-------------------|--------------|
| 1. BISCUIT | GW-4130-Q-BI |
| 2. BRONZE | GW-4130-Q-BR |
| 3. MATTE BLACK | GW-4130-Q-MB |
| 4. OFF WHITE | GW-4130-Q-OW |
| 5. POLISHED BRASS | GW-4130-Q-PB |
| 6. SATIN NICKEL | GW-4130-Q-SN |
| 7. WHITE | GW-4130-Q-WT |
| 8. WHITE WRINKLE | GW-4130-Q-WW |

-HARDWARE PACKAGE INCLUDES:

1. (7) #14 X 2" PHILLIPS PAN HEAD SHEET METAL SCREW (800018)

[CUSTOMER PN]:

[CUSTOMER PN]:

PROPRIETARY AND CONFIDENTIAL
 THIS DRAWING AND THE INFORMATION CONTAINED HEREIN IS PROPERTY OF SEACHROME CORP. AND SHALL NOT BE REPRODUCED, COPIED OR DISCLOSED IN WHOLE, OR PART, OR USED OF MANUFACTURING OR FOR ANY OTHER PURPOSE WITHOUT THE WRITTEN PERMISSION OF SEACHROME CORPORATION.

INTERPRET GEOMETRIC TOLERANCING PER: ASME Y14.5-2009
 UNLESS OTHERWISE SPECIFIED:
 DIMENSIONS ARE IN INCHES [MM]
 TOLERANCES: DECIMALS
 FRACTIONAL ±1/64 X ±0.1
 ANGLES ± 1° XX ±0.02

SEACHROME		1906 EAST DOMINGUEZ LONG BEACH, CA 90810 (310) 427-8010	
CORPORATION			
TITLE: 30" SWING UP GRAB BAR			
DRAWN	T. AYALA	03/24/20	DWG. NO. GW-4130-Q
ENG APPR.	J. AMOZOC	03/24/20	REV -
SIZE A DO NOT SCALE DRAWING		SCALE: 1:10 SHEET 1	

SEACHROME

Seachrome Corporation
1906 East Dominguez Street
Long Beach, California 90810
Phone: (800) 955-2476
Fax: (800) 444-3380

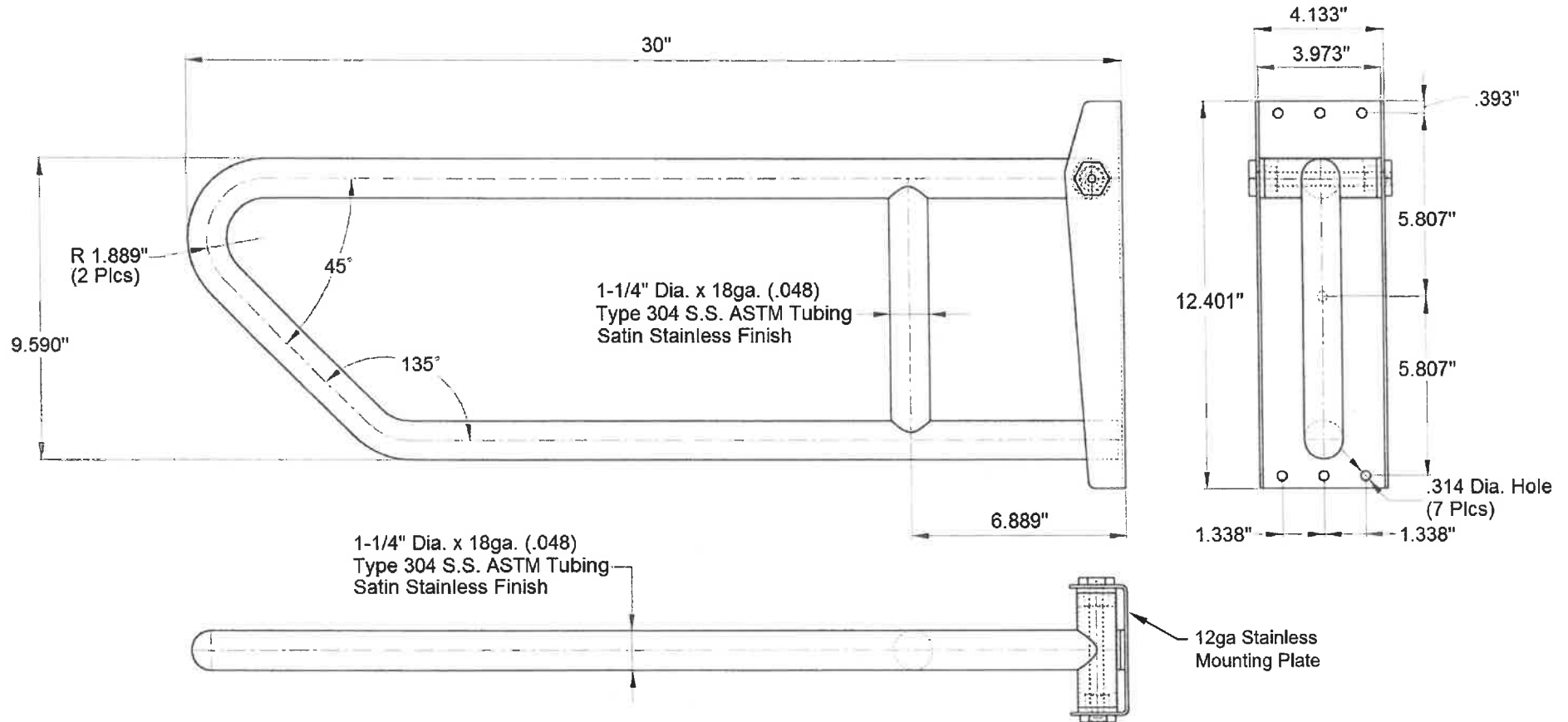
Description:

IGW-4130-Q-SS
Swing-Up Grab Bar
(Satin Stainless Finish)

Customer:

Customer Part #

11-10-2015



This drawing and the information contained herein is proprietary to Seachrome Corp. and shall not be reproduced, copied or disclosed in whole, or part, or used for manufacturing or for any other purpose without the written permission of Seachrome Corporation.