

SEACHROME

Seachrome Corporation
1906 East Dominguez Street
Long Beach, California 90810
Phone: (800) 955-2476
Fax: (800) 444-3380

Description:

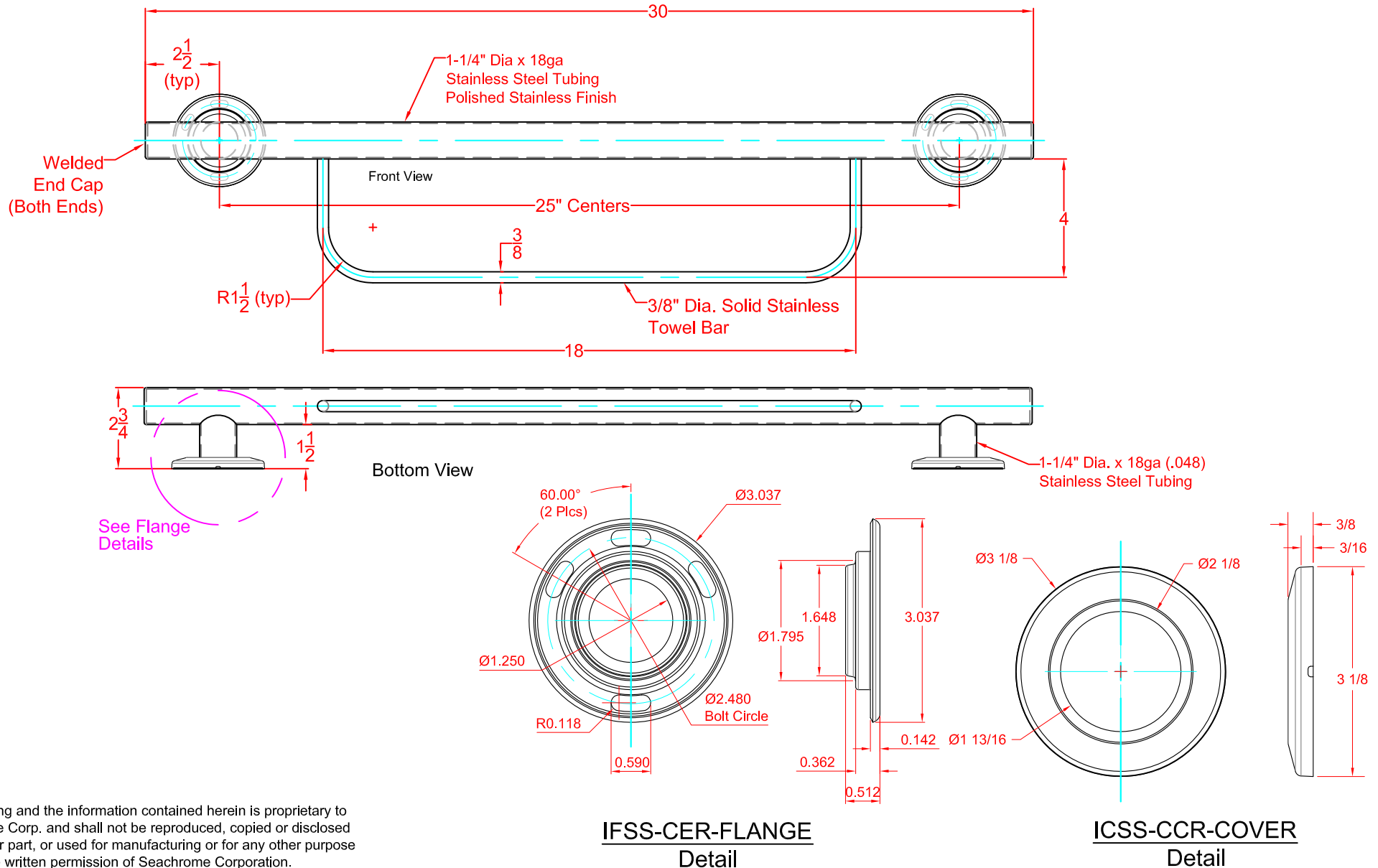
GW-3930-QCR-PS
Newport Grab Bar w/Towel Bar
30" Grab Bar w/Both Ends Straight
(Polished Stainless Finish)

Customer:

Customer Part #

07-11-2014

Material: 1-1/4" Dia. x 18ga. Type 304 S.S.
Finish: Polished Stainless Finish
Flanges: 14ga. Stainless Steel 3" Dia.
Towel Bar: 3/8" Dia. Solid Stainless Rod



This drawing and the information contained herein is proprietary to Seachrome Corp. and shall not be reproduced, copied or disclosed in whole, or part, or used for manufacturing or for any other purpose without the written permission of Seachrome Corporation.

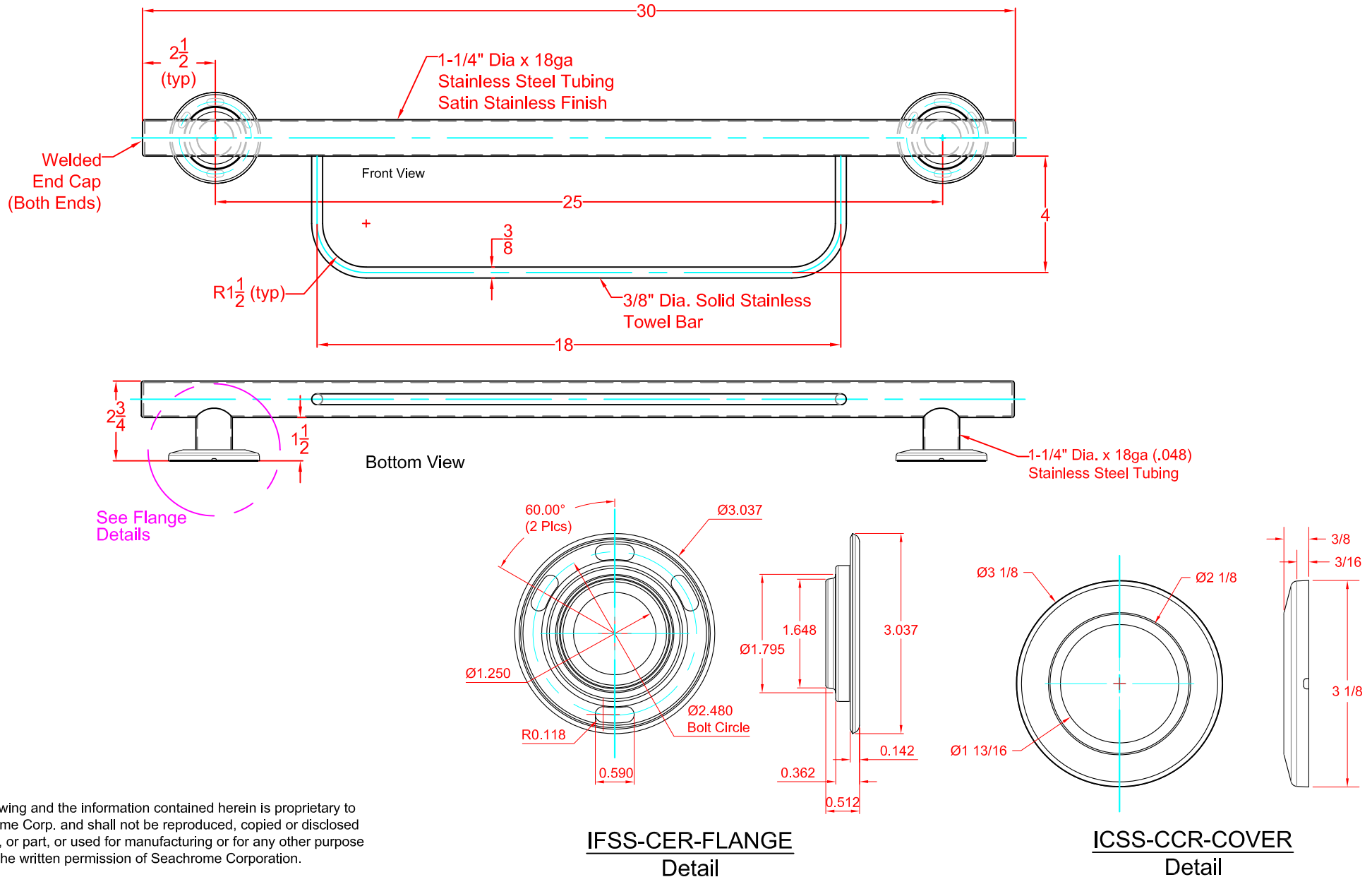
SEACHROME

Seachrome Corporation
1906 East Dominguez Street
Long Beach, California 90810
Phone: (800) 955-2476
Fax: (800) 444-3380

Description:
GW-3930-QCR-SS
Coronado Newport Grab Bar w/Towel Bar
30" Grab Bar w/Both Ends Straight
(Satin Stainless Finish)

Customer:
Customer Part #
07-11-2014

Material: 1-1/4" Dia. x 18ga. Type 304 S.S.
Finish: Satin Stainless Finish
Flanges: 14ga. Stainless Steel 3" Dia.
Towel Bar: 3/8" Dia. Solid Stainless Rod



This drawing and the information contained herein is proprietary to Seachrome Corp. and shall not be reproduced, copied or disclosed in whole, or part, or used for manufacturing or for any other purpose without the written permission of Seachrome Corporation.

IFSS-CER-FLANGE
Detail

ICSS-CCR-COVER
Detail