

SEACHROME

Seachrome Corporation
1906 East Dominguez Street
Long Beach, California 90810
Phone: (800) 955-2476
Fax: (800) 444-3380

Description:

CORONADO SERIES
Straight Grab Bar w/ 37" Centers
(42" Overall, Both Ends Straight)
Satin Stainless Finish

Customer:

Seachrome Part #

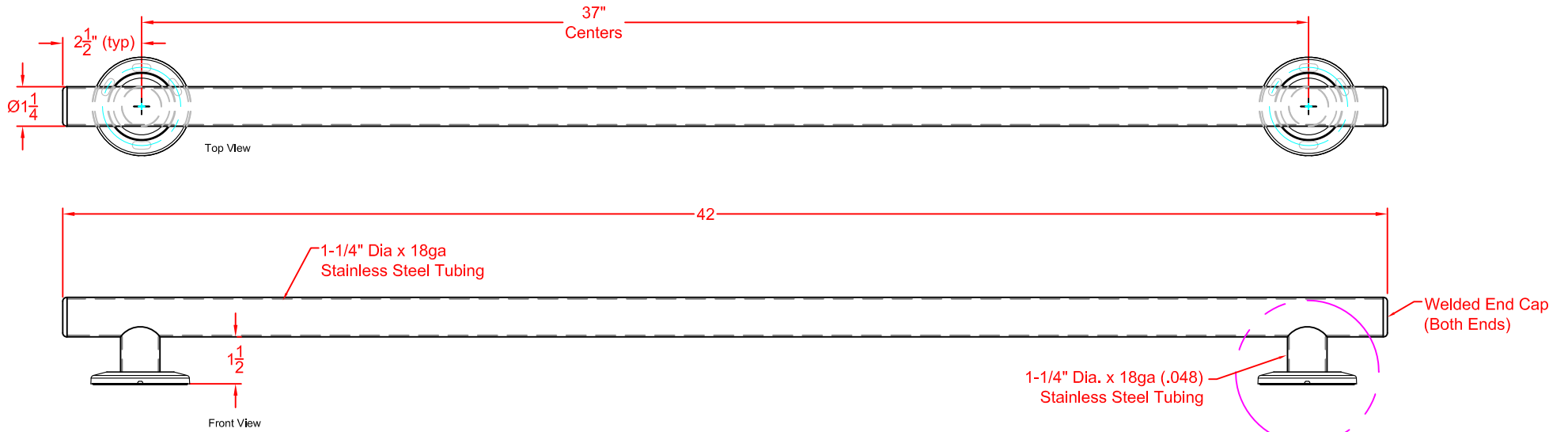
790-420-QCR-SS

07-08-2015

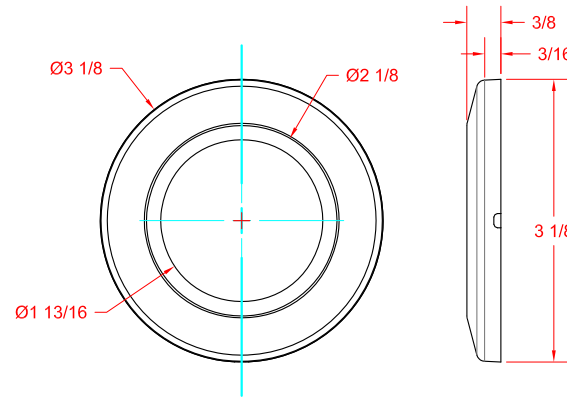
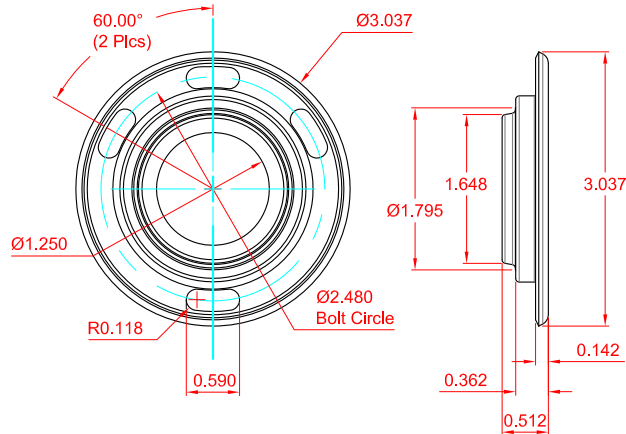
This drawing and the information contained herein is proprietary to Seachrome Corp. and shall not be reproduced, copied or disclosed in whole, or part, or used for manufacturing or for any other purpose without the written permission of Seachrome Corporation.

MATERIALS

1-1/4" Dia. x 18ga. Stainless Steel Tubing.
Post: 1-1/4" Dia. x 18ga. Stainless Steel.
Mounting Flange: 3" Dia., 14ga. Stainless Steel.
Concealed Snap-On Cover: 22ga. Stainless Steel.



See Flange Details



IFSS-CER-FLANGE
Detail

ICSS-CCR-COVER
Detail

SEACHROME

Seachrome Corporation
1906 East Dominguez Street
Long Beach, California 90810
Phone: (800) 955-2476
Fax: (800) 444-3380

Description:

CORONADO SERIES
Straight Grab Bar w/ 37" Centers
(42" Overall, Both Ends Straight)
Polished Stainless Finish

Customer:

Seachrome Part #

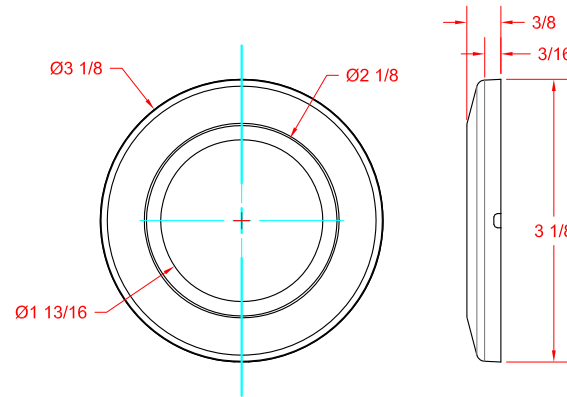
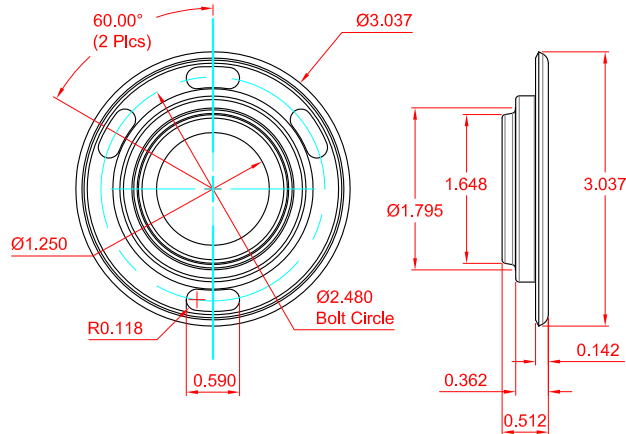
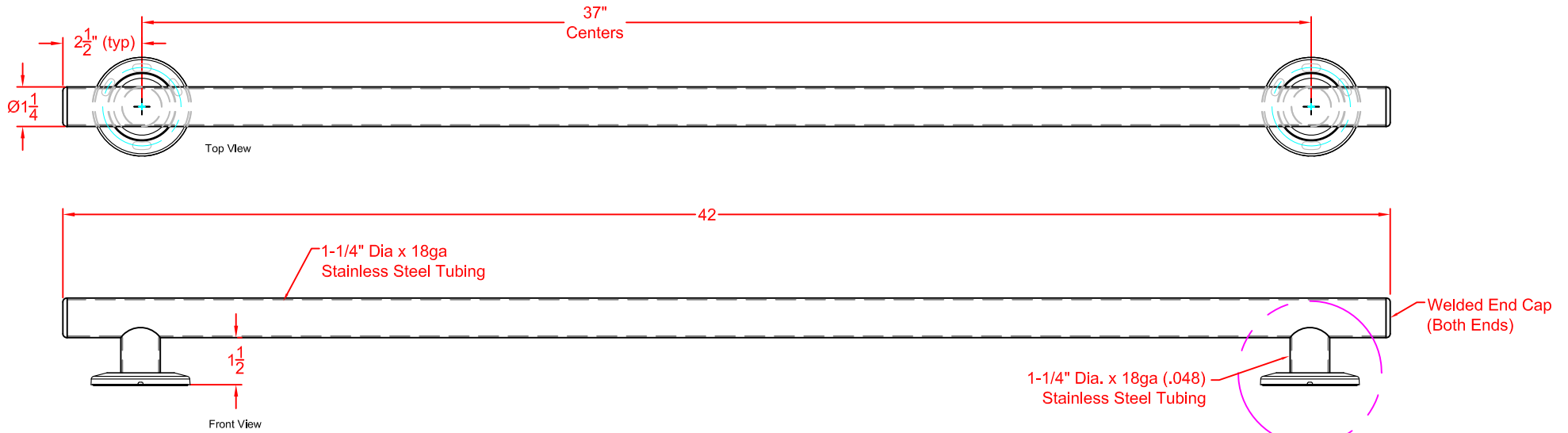
790-420-QCR-PS

06-02-2015

This drawing and the information contained herein is proprietary to Seachrome Corp. and shall not be reproduced, copied or disclosed in whole, or part, or used for manufacturing or for any other purpose without the written permission of Seachrome Corporation.

MATERIALS

1-1/4" Dia. x 18ga. Stainless Steel Tubing.
Post: 1-1/4" Dia. x 18ga. Stainless Steel.
Mounting Flange: 3" Dia., 14ga. Stainless Steel.
Concealed Snap-On Cover: 22ga. Stainless Steel.



IFSS-CER-FLANGE
Detail

ICSS-CCR-COVER
Detail

See Flange
Details