

## IMPORTANT SAFETY INSTRUCTIONS

- Be sure the electricity to the system you are working on is turned off; either the fuse removed or the circuit breaker set at off.
- Use of other manufacturers components will void warranty, listing and create a potential safety hazard.
- If you are unclear as to how to proceed, contact a qualified electrician.
- You don't need special tools to install this fixture.
- Be sure to follow the steps in the order given.
- Read instructions carefully.
- Save these instructions.

## INSTALL TRIM ASSEMBLIES

Install trim by one of the following methods:

**FOR 1136, 1151, 1154 TRIMS:** Before installing trim, remove socket plate from housing by loosening wing nut. Unfasten socket from socket plate by squeezing springs and snap into hole provided in top of trim (see Diagram 5). Discard the socket plate / bracket.

**FOR 1152AT-15, 1153AT-15, 11090AT-15, 11091AT-15, and 11092AT-15 TRIMS:** When relamping it is necessary to rotate reflector. Reflector should not be used with fluorescent housings.

**TORSION SPRINGS:** Squeeze the arms together and insert them into the slotted tabs on the inside of the housing. Push upward fully so springs will hold trim in place (see Diagram 1).

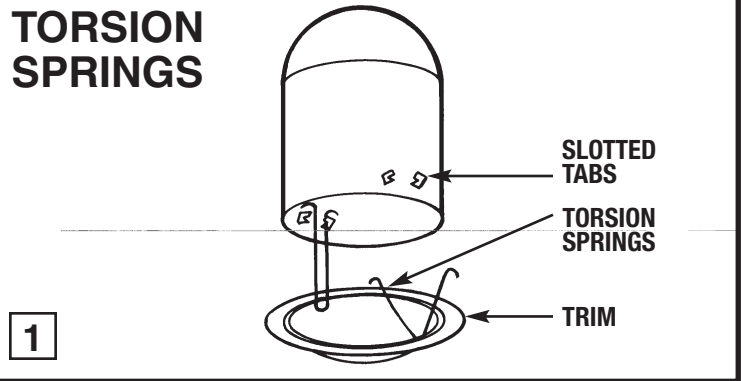
**PRESSURE SPRINGS:** Bend slotted tabs up and insert trim into housing. Push upward fully and pressure springs will hold trim in place (see Diagram 2).

**COIL SPRINGS:** You must bend the slotted tabs back up out of the way (just push upward with finger). Then hook the coil springs into the slots cut into the sides of the housing (see Diagram 3).

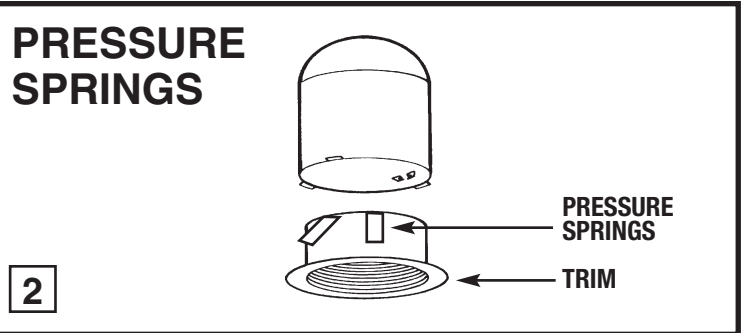
**COIL SPRINGS FOR IC HOUSING:** Hook the coil springs into the slots cut into the slots on the socket plate (using a pencil or small object may be necessary) (see Diagram 4).

**TO INSTALL LAMPS:** Select proper lamp (see lamp maximum wattage label in housing). Do not exceed maximum wattage lamp shown for each trim.

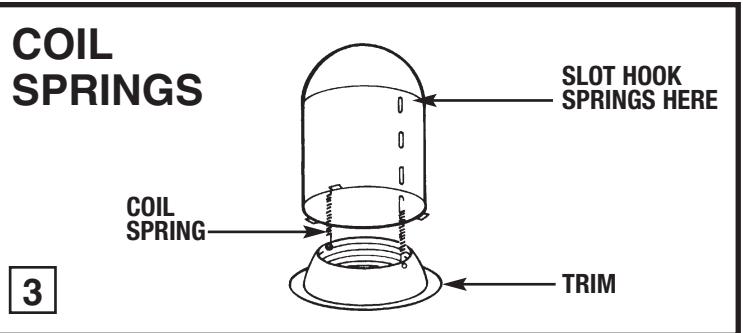
## TORSION SPRINGS



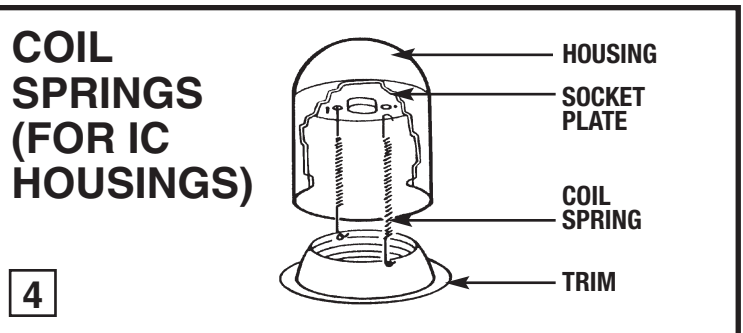
## PRESSURE SPRINGS



## COIL SPRINGS



## COIL SPRINGS (FOR IC HOUSINGS)



## 1136, 1151, 1154 TRIMS

