

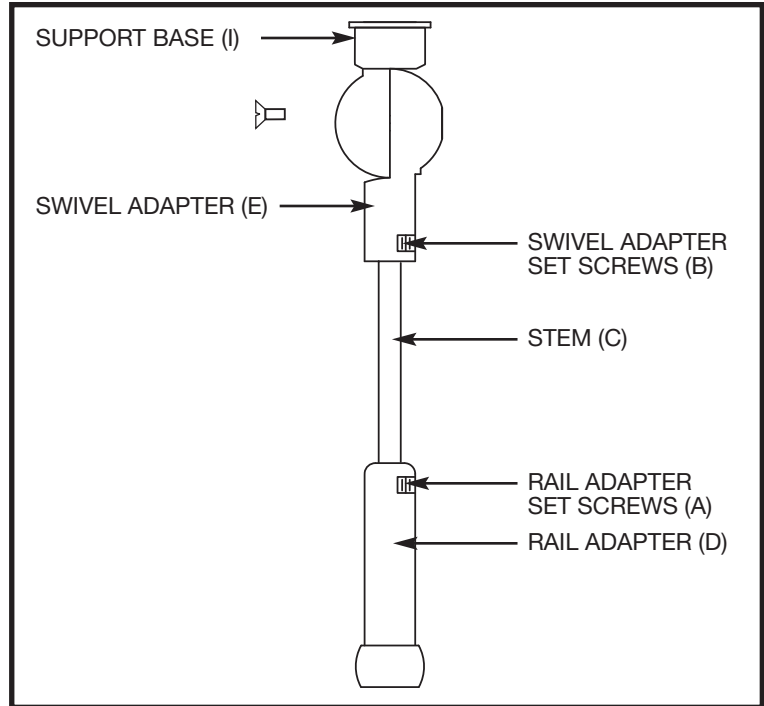
## RAIL SWIVEL SUPPORT ADAPTER

### IMPORTANT SAFETY INSTRUCTIONS

- Be sure the electricity to the system you are working on is turned off; either the fuse removed or the circuit breaker set at off.
- If you are unclear as to how to proceed, contact a qualified electrician.
- For use with the RTx low voltage rail series by Sea Gull Lighting.
- Use of other manufacturers components will void warranty, listing, and create a potential safety hazard.
- Be sure to install the rail system where it can not be shorted out by conductive materials.
- Make sure all connections are tight.
- This is a non-electrified support.
- Space supports no greater than 3 feet apart for straight sections.
- NOTE: The rail swivel support adapter must be used in conjunction with the rail swivel powerfeed adapter.
- Save these instructions.

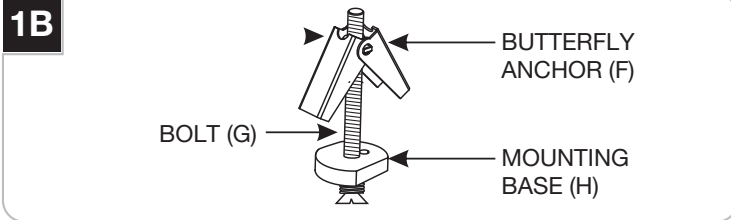
### INSTALLING OPTIONAL STEM

- 1 Unthread rail adapter set screws (A) and swivel adapter set screws (B) with supplied allen wrench.
- 2 Remove stem (C).
- 3 Place new stem in rail adapter (D) and tighten rail adapter set screws (A). Place other end of stem into swivel adapter (E) and tighten swivel adapter set screws (B) to secure.

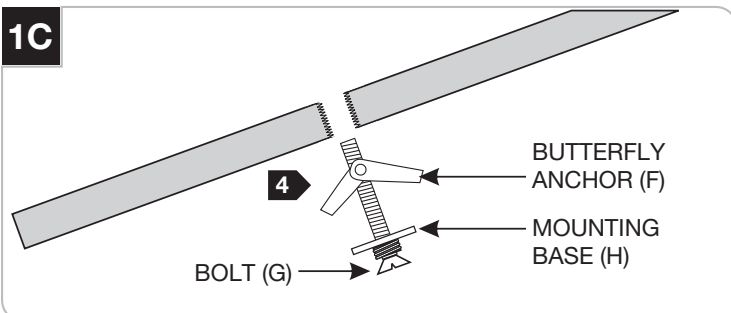


## Installing the Standoff Hardware

- 1 Mark the location on the ceiling where the standoffs are to be mounted.
- 2 Drill a 5/8" hole through the drywall at the marked point into the ceiling.

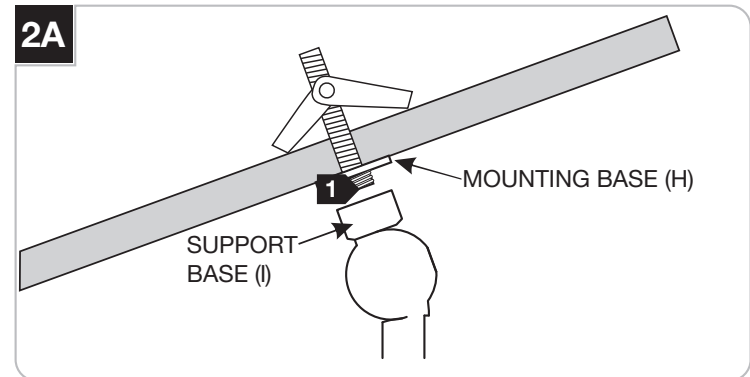


- 3 Place bolt (G) into mounting base (H). Make sure threaded part of mounting base (H) will face down. Thread butterfly anchor (F) onto tip of bolt (G).

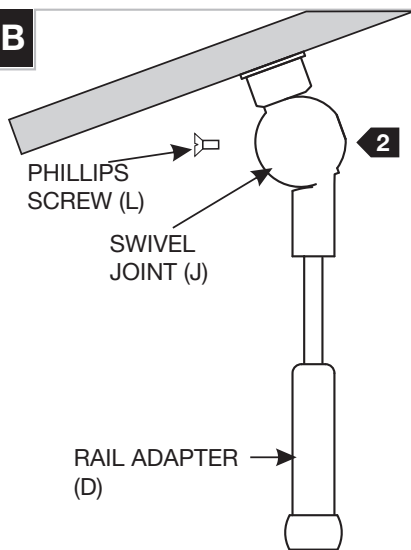


- 4 Place butterfly anchor (F) through hole in ceiling. Tighten bolt (G) to secure mounting base (H) to ceiling.

## Installing the Rail Swivel / Support Adapter to the Ceiling

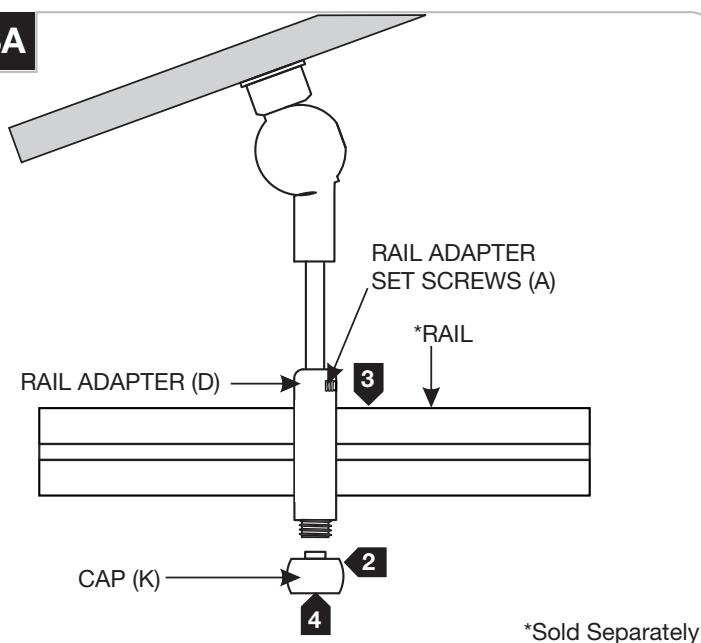


- 1 Thread support base (I) to mounting base (H).

**2B**

- 6** Use a phillips head screwdriver to loosen phillips screw (L) screw. Adjust swivel joint (J) so rail adapter (D) hangs vertical. Tighten phillips screw (L) to secure.

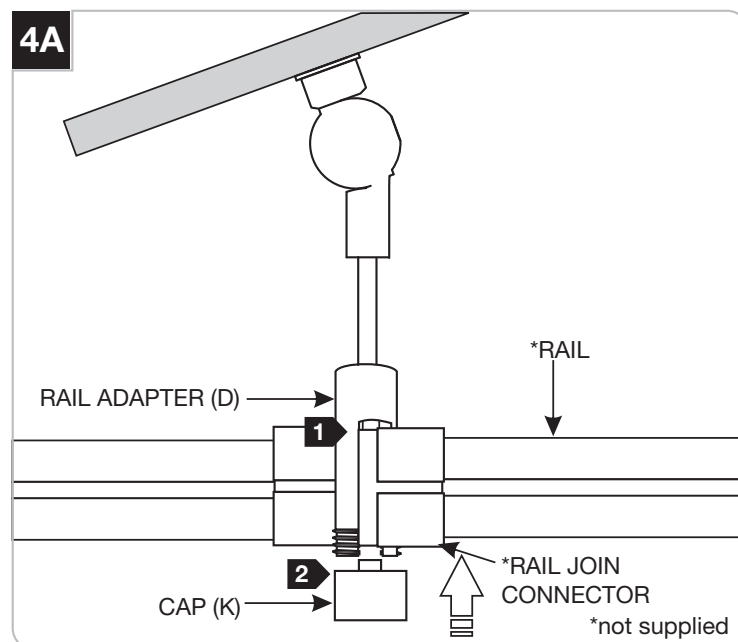
## Installing the Rail to the Rail Swivel Support Adapter

**3A**

\*Sold Separately

- 1** Measure the distance from the ceiling to the center of the rail adapter (D). Measure the distance from the ceiling to the center of the power feed support adapter (sold separately). Loosen rail adapter set screws (A) to adjust rail adapter (D) height, if required. Adjust direction of rail adapter (D) if necessary. Retighten rail adapter set screws (A).
- 2** Unthread cap (K) from rail adapter (D).
- 3** Push the rail into the rail adapter (D) opening.

## SPECIAL INSTALLATION: Installing a Rail Join Connector to the Rail Swivel Support Adapter

**4A**

- 1** Push the rail join connector into the rail adapter (D) opening.
- 2** Thread the cap (K) onto the rail adapter (D) to secure. **NOTE:** In case of cross threading, unscrew the cap (K) from the rail adapter (D) and repeat step 5.